



## Installation instructions

Akrapovič Exhaust System:  
**Evolution Race Header Set**  
for the  
**Porsche 911 GT3** (type 991.2)

ENGLISH  
Version 1.0

07/2018



[www.akrapovic.com](http://www.akrapovic.com)





## Installation instructions

Akrapovič Exhaust System:  
**Evolution Race Header Set**  
for the  
**Porsche 911 GT3** (type 991.2)

ENGLISH  
Version 1.0

07/2018

[www.akrapovic.com](http://www.akrapovic.com)

Congratulations on purchasing the Akrapovič exhaust system. The Akrapovič exhaust system is a product of Akrapovič d.d., Malo Hudo 8a, 1295 Ivančna Gorica, Slovenia ("Akrapovič").

**Please read this entire installation manual carefully prior to installing and using the Akrapovič exhaust system.**

Akrapovič exhaust system should only be installed by persons skilled in car exhaust system installation and performance. The instructions provided in this manual should be followed to ensure proper installation and safe use of the Akrapovič exhaust system. Akrapovič and/or its partners shall not be held liable for any damage or personal injury (including direct, indirect, or consequential damage) sustained as a result of improper installation of the Akrapovič exhaust system or its use and maintenance contrary to the instructions and warnings contained herein.

If you have any questions regarding the installation and/or proper use of the Akrapovič exhaust system or this manual, please contact your local Akrapovič partner.

For more information on the Akrapovič exhaust systems, see the official Akrapovič website at: <http://www.akrapovic.com>

## **GENERAL INFORMATION**

Your safety is our number one priority. Please drive your car responsibly, safely and always obey local traffic rules.

All statements made with regard to the exhaust system's compliance are made in respect of the exhaust system "as is". Any modifications of the Akrapovič exhaust system or its improper installation, use or maintenance that is not in accordance with this Installation manual, may result in severe damage to the exhaust system and/ or engine, as well as personal injury, and may affect the exhaust system's compliance with the legal requirements, such as exhaust system's air and/ or noise emissions (as an example, the car may not be suitable for use on public roads any longer), as well as warranty coverage.

The exhaust system may only be used in accordance with relevant laws and regulations, including state and federal, where applicable.

Damage caused by improper installation, use and maintenance of the Akrapovič exhaust system is not covered by the Akrapovič warranty. Please refer to the enclosed warranty with regard to the terms of our warranty.

Technical specifications of Akrapovič exhaust systems and related products are subject to change without notice.

## **COPYRIGHT AND OTHER RIGHTS NOTICE**

The Akrapovič trademark, including corporate logos and emblems, are subject to copyright as well as trademark rights of Akrapovič, its licensors, or third persons authorizing Akrapovič to use them.

Any reproduction, technical or other manipulation, translation, or other use of the copyright and/or trademark rights contained herein is prohibited without the explicit prior written consent of Akrapovič. The same especially applies to the entire contents of this manual and/or any of its parts, including but not limited to technical specifications, instructions, graphs, photographs, and so on included in this manual.

The shape of the exhaust system is protected under a registered Community Design No. RCD 002747105-0001.

Akrapovič takes all copyright and other rights infringement cases under serious consideration. If you have any reason to believe that your exhaust system is not an original Akrapovič product, please contact our local partners or Akrapovič at [info@akrapovic.com](mailto:info@akrapovic.com).

## SAFETY AND COMPLIANCE WARNING, PLEASE READ CAREFULLY

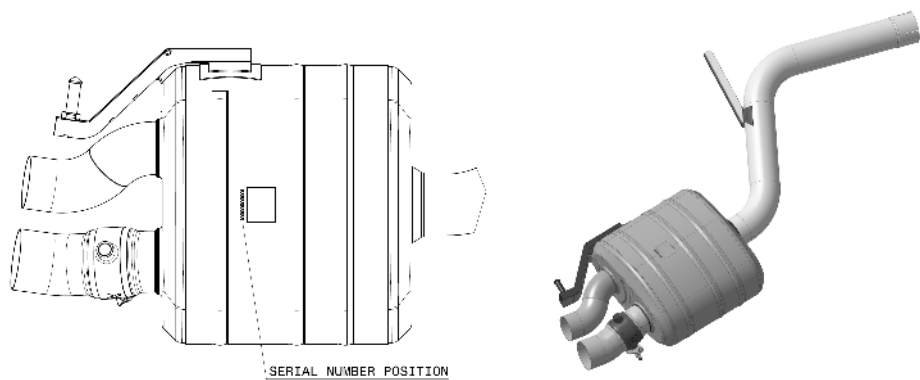
**BEFORE REMOVING THE STOCK EXHAUST SYSTEM AND BEGINNING THE INSTALLATION OF YOUR NEW AKRAPOVIČ EXHAUST, PLEASE MAKE SURE THAT ALL ITEMS LISTED BELOW ARE VERIFIED:**

- This manual is specific to the car indicated on the cover page, for which it is designed. Installation procedures vary depending on the type of car. Please verify that the Akrapovič **exhaust system and this installation manual correspond to the type of your car.**
- The exhaust system can get extremely hot during and after it is used. Make sure not to touch the exhaust system until it is completely cool. **Allow the exhaust and engine to cool down before beginning installation.**
- Make sure the car is **securely positioned to prevent** damage to yourself and other, or the car.
- Please check the parts you received against the parts list available on our website (please use the QR code on the front page or look for “schematic view” in the respective product page on [www.akrapovic.com](http://www.akrapovic.com)). Make sure that you have **all the parts necessary for the installation** of your new Akrapovič exhaust system. If any of the parts is missing, please do not proceed with uninstalling your stock exhaust system/installing the Akrapovič exhaust system and contact the retailer where you purchased the Akrapovič exhaust system.
- Every exhaust system muffler has its unique serial number, which identifies the authenticity of the product. You can find the serial number on the muffler’s sleeve. Please refer to the **picture 1** below. Please verify that your exhaust system is an original Akrapovič product. If you have any doubts, please contact the reseller where you purchased the exhaust system or Akrapovič partners. This manual, any certificates and Akrapovič warranty apply to original products only.

## GENERAL NOTE

Photographs and other illustrations in this manual are symbolic and are intended to help represent individual steps for proper installation and use, as well as for a general overview. The actual component parts of the Akrapovič exhaust system may not entirely correspond to the photographs and other illustrations.

Picture 1 - Serial Number Position



## **NOISE AND EMISSION WARNINGS**

### **General warning**

Because of the world-wide distribution of Akrapovič d.d. products, neither Akrapovič d.d. nor any of its subsidiaries make any representation that the exhaust system complies with the air and/or noise emissions laws, or labeling laws, of any jurisdiction. The purchasers are entirely responsible for informing themselves of the applicable laws where the products are to be used and to comply with those law.

Although legal compliance of Akrapovič products in a specific country should be determined by the user, you can find some basic guidance on compliance of your Akrapovič exhaust system with various legal requirements on the product-related part of our website (please use the QR code on the front page or look for the respective product page on [www.akrapovic.com](http://www.akrapovic.com)). For EC and ECE type approvals, please refer to the certificate enclosed to your product.

### **USA WARNING**

Various U.S. states and the U.S. federal government have individual laws regulating the use of aftermarket exhaust parts and systems, especially as those parts and systems modify, remove, or replace original equipment catalysts. Please consult the appropriate laws in your area before installing any aftermarket part or system on your vehicle to ensure compliance with all applicable laws. Neither Akrapovic d.d. nor any of their subsidiaries or the sellers of the parts or systems make any representation that any of their parts or systems comply with any such laws.

### **CALIFORNIA WARNING**

California laws prohibit the use of any aftermarket exhaust part or system that modifies, removes or replaces original equipment catalysts unless the California Air Resources Board has issued an Executive Order regarding such part or system or unless the part or system is exempted by being used only on racing vehicles on closed courses. Neither Akrapovic d.d. nor any of their subsidiaries make any representation that any of their parts or systems has received such an Executive Order or that any of their parts or systems conform with the racing vehicles exemption. The purchasers are entirely responsible for informing themselves of applicable California laws and to comply with those laws.



## SYMBOLS

The following symbols are used throughout these installation instructions:



**TOOLS AND PROTECTIVE  
EQUIPMENT REQUIRED**



**TIGHTENING TORQUE**



**LUBRICATION**



**HAND TIGHTEN**



**INSTALLATION TIP**



**CAUTION OR IMPORTANT**

### USE BOLT SEALANT



Apply 3 to 4 small drops of bolt sealant onto the cleaned and degreased threads before tightening the bolts.

**WARNING! Avoid contact with skin, eyes and mucous membranes. Do not inhale fumes. Keep out of reach of children.**

### USE ANTI-SEIZE LEAD-FREE COPPER PASTE (black tube)

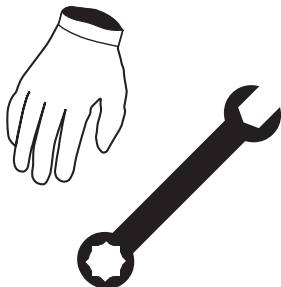


Provides trouble-free and long-lasting protection against seizing, corrosion and rusting of bolts, threaded ends, nuts, joints, etc. Also protects against vibration, wear and impact. **WARNING! Avoid eye contact. Keep out of reach of children.**

### USE ANTI-SEIZING GREASE (white tube)



Prevents seizing, corrosion and excessive wear between the titanium components of your exhaust system. **WARNING! Avoid eye contact. Keep out of reach of children.**



#### Tools & equipment

- Small flat screwdriver
- T-handle 13 mm wrench
- T-handle swivelling 10 mm wrench
- T-handle swivelling 13 mm wrench
- T-handle 6 mm three hexagon wrench
- Combination 22mm wrench
- Socket 15 mm
- Socket 16 mm
- Torx 10
- Torx 25
- Torx 30
- Cutting nippers
- Clamp pliers

## PARTS LIST

The following parts should be found in the box:

- Installation Manual
- Homologation certificate/ compliance documents if applicable
- Warranty
- Fitting material
- Muffler and pipes

Detailed list of parts can be found on the Akrapovič website (please use the QR code on the front page or look for "Schematic view" in the respective product page on [www.akrapovic.com](http://www.akrapovic.com)).

**IMPORTANT: The car should be in the off position throughout the dismantling and installation process, as well as any other work done on the exhaust system!**

## **REMOVAL OF STOCK EXHAUST SYSTEM:**

The process of uninstalling the original exhaust system may vary depending on the existing exhaust system. Please follow the original exhaust system manufacturer's instructions for uninstalling the original exhaust system.

If you for any reason decide otherwise, please note that any information provided in this respect herein should be considered as general information provided for your convenience only. Akrapovič shall not assume any liability or responsibility with regard to uninstalling your existing exhaust system, warranty coverage of such exhaust system or vehicle or their further fitness for use.

**In case your Akrapovič exhaust system may not be used on certain roads or under certain conditions, please keep the stock or other exhaust system that you can use in such circumstances legally.**

## REMOVAL OF STOCK EXHAUST SYSTEM:

Put the vehicle onto a car lift.

! **CAUTION:** ensure that the car is lifted safely and properly in order to avoid the risk of vehicle damage, injury, or even death!

1. Unscrew the marked bolts and carefully remove the underengine panel (F 01).

! **CAUTION:** make sure not to injure yourself or damage any part of the vehicle during this process!



F 01

2. Unscrew the marked bolts (F 02).

! **CAUTION:** make sure not to injure yourself or damage any part of the vehicle during this process!



F 02

3. Unscrew the marked bolts (F 03).

**!** CAUTION: make sure not to injure yourself or damage any part of the vehicle during this process!



F 03

- Carefully pull both tail lights out of the chassis, disconnect the tail lights' electrical connectors and remove the tail lights off the vehicle (F 04).

! **CAUTION:** make sure, not to damage the connectors, tail lights or any other part of the vehicle during this process!



F 04

5. Unscrew the marked bolt, on both sides of the vehicle (F 05).

**!** CAUTION: make sure not to injure yourself or damage any part of the vehicle during this process!



F 05



6. Unscrew the marked bolts, on both sides of the vehicle (F 06, 07).

! **CAUTION:** make sure not to injure yourself or damage any part of the vehicle during this process!



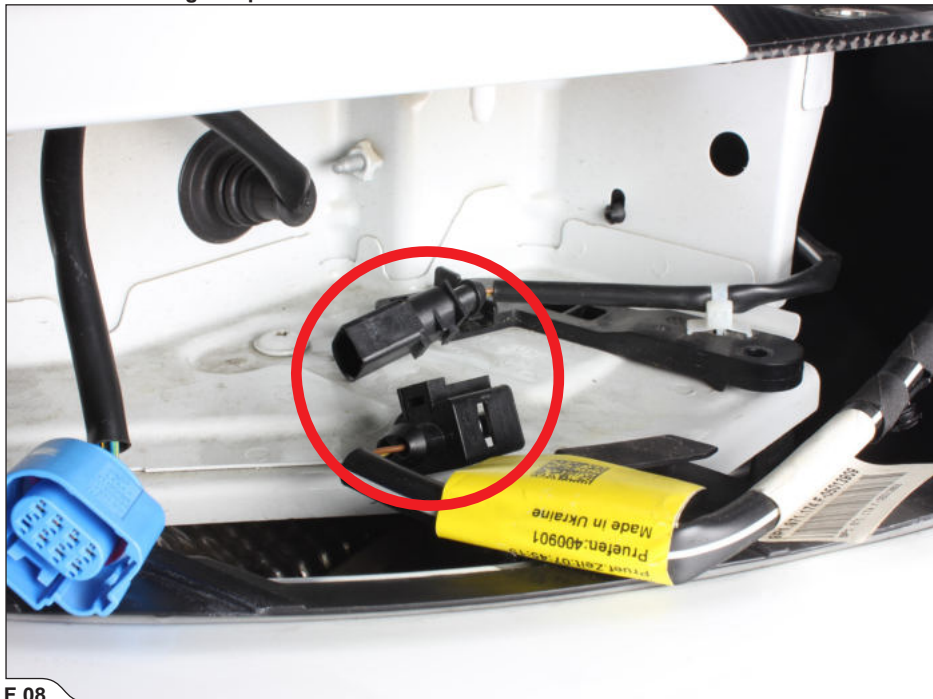
F 06



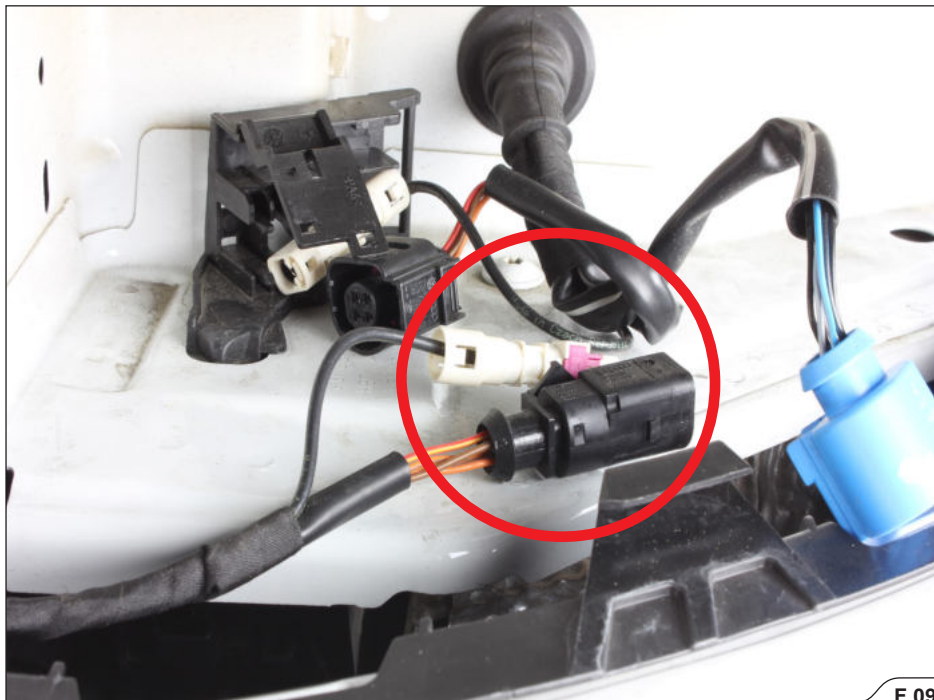
F 07

7. Disconnect the bumpers' electrical connectors, and carefully remove the bumper off the vehicle (F 08, 09).

! **CAUTION:** make sure, not to damage the connectors, bumper or any other part of the vehicle during this process!



F 08



8. Unscrew the marked bolts, and remove central muffler heat shield (F 10).

**!** CAUTION: make sure not to injure yourself or damage any part of the vehicle during this process!



F 10

9. Unscrew the marked bolts and nuts on both sides of the vehicle and remove side mufflers' heat shields (F 11, 12).

! **CAUTION:** make sure not to injure yourself or damage any part of the vehicle during this process!



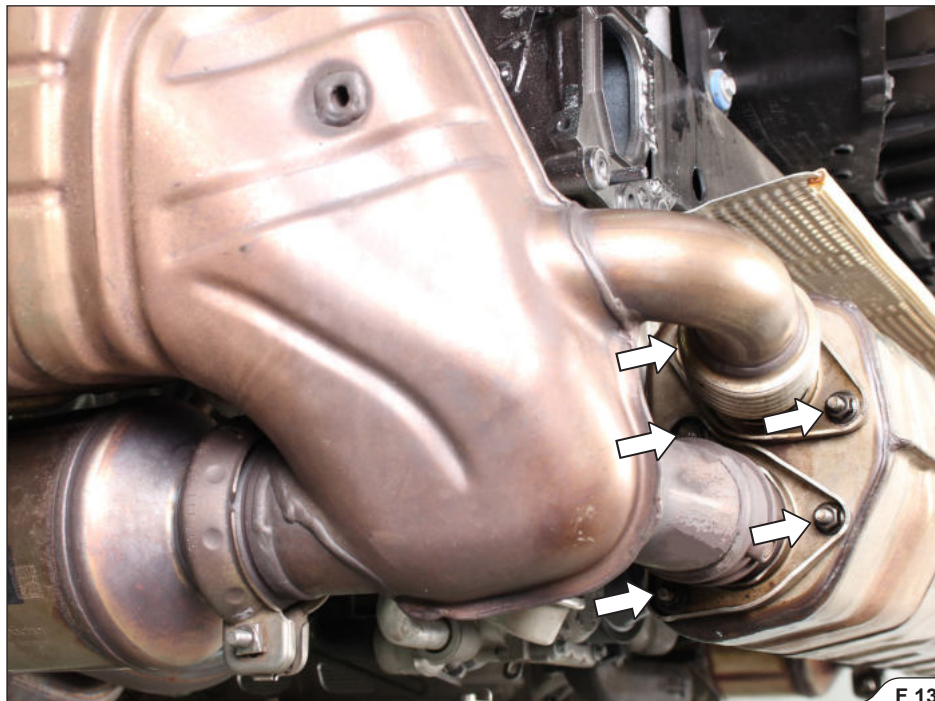
F 11



F 12

10. Unscrew the marked flange nuts on both sides of the muffler (F 13).

! **CAUTION:** make sure not to injure yourself or damage any part of the vehicle during this process!

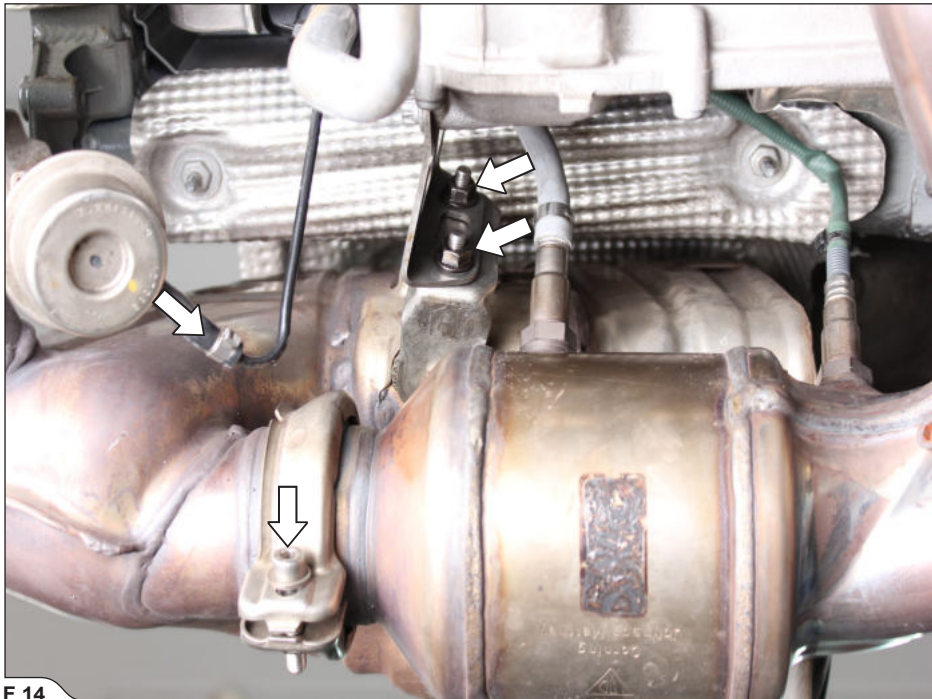


F 13



11. Carefully pull the vacuum hoses off both vacuum actuators, loosen and remove marked connection clamps, unscrew side-muffler's bracket bolts and carefully remove both side mufflers off the vehicle (F 14).

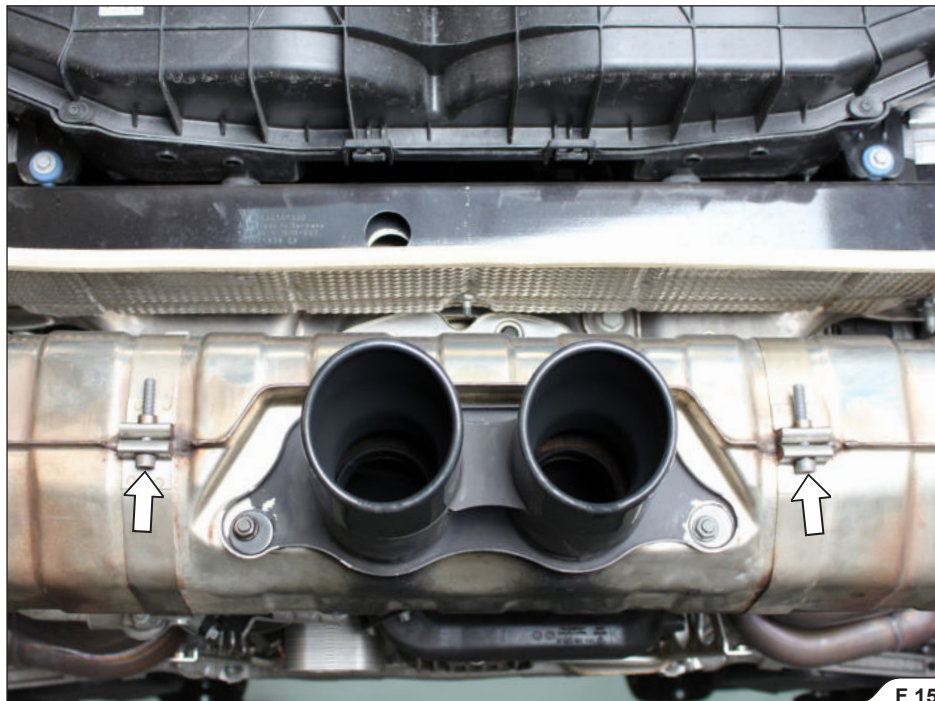
! **CAUTION:** make sure not to injure yourself or damage any part of the vehicle during this process!



F 14

12. Unscrew the marked bolts and remove the central muffler with clamps off the vehicle (F 15).

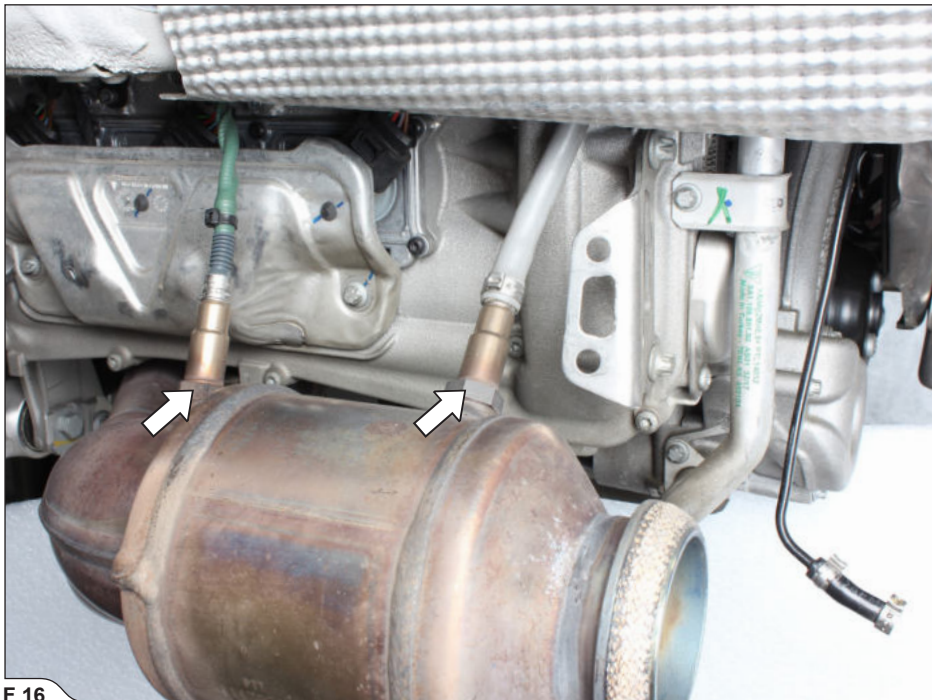
! **CAUTION:** make sure not to injure yourself or damage any part of the vehicle during this process!



F 15

13. Unscrew the lambda sensors out of headers on both sides of the vehicle (F 16).

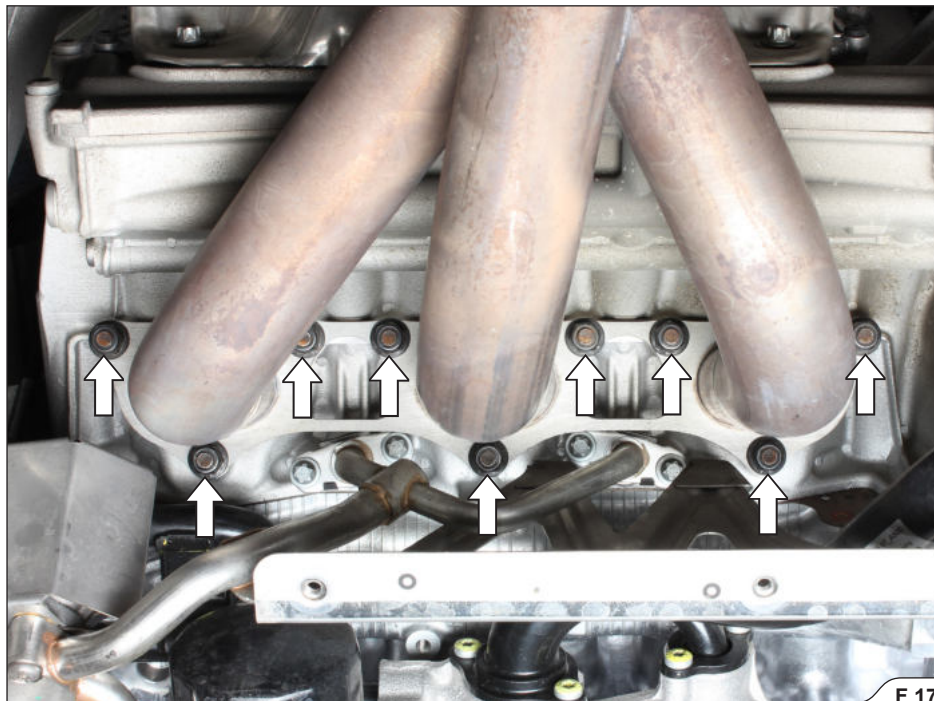
! **IMPORTANT:** make sure not to damage the sensors' electrical leads during this process!



F 16

14. Unscrew all flange nuts and carefully remove both headers off the vehicle (F 17).

! **CAUTION:** make sure not to injure yourself or damage any part of the vehicle during this process!



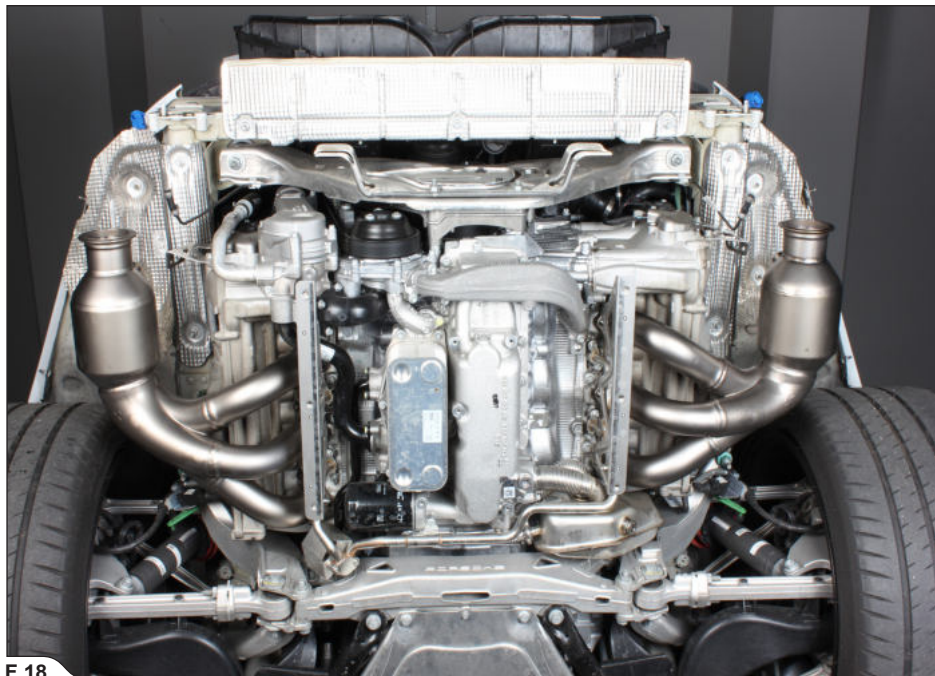
F 17

## INSTALLATION OF THE AKRAPOVIČ EXHAUST SYSTEM:

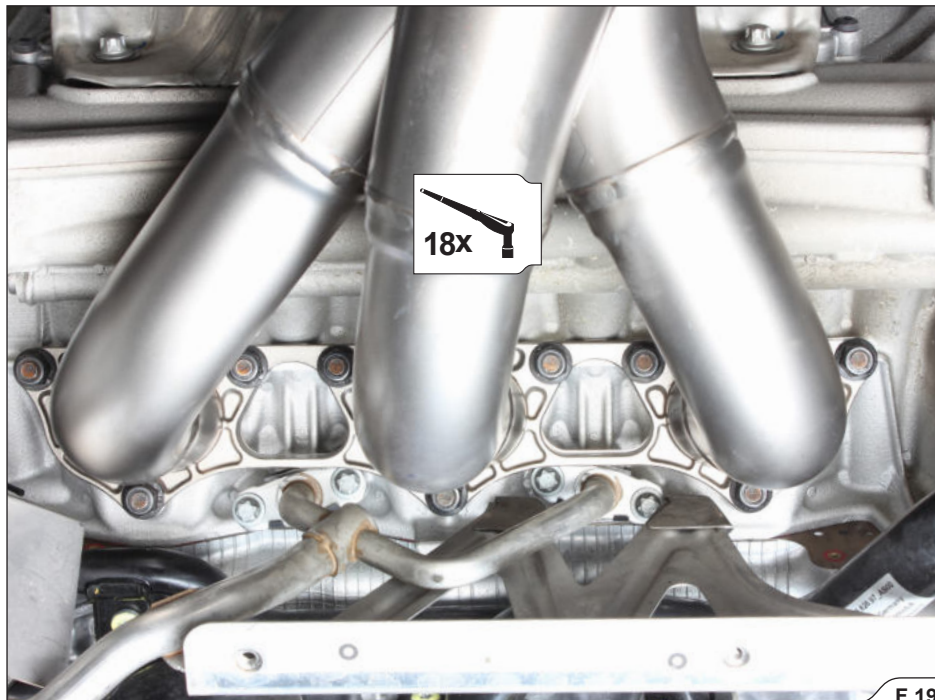
1. Install the Akrapovič headers with new stock gaskets, using stock nuts. Tighten nuts to a vehicle manufacturer specified torque using criss-cross pattern in three steps (F 18, 19).

! **IMPORTANT: use new exhaust port gaskets!**

! **IMPORTANT: check vehicle manufacturer workshop manual for correct procedure and tightening torque!**

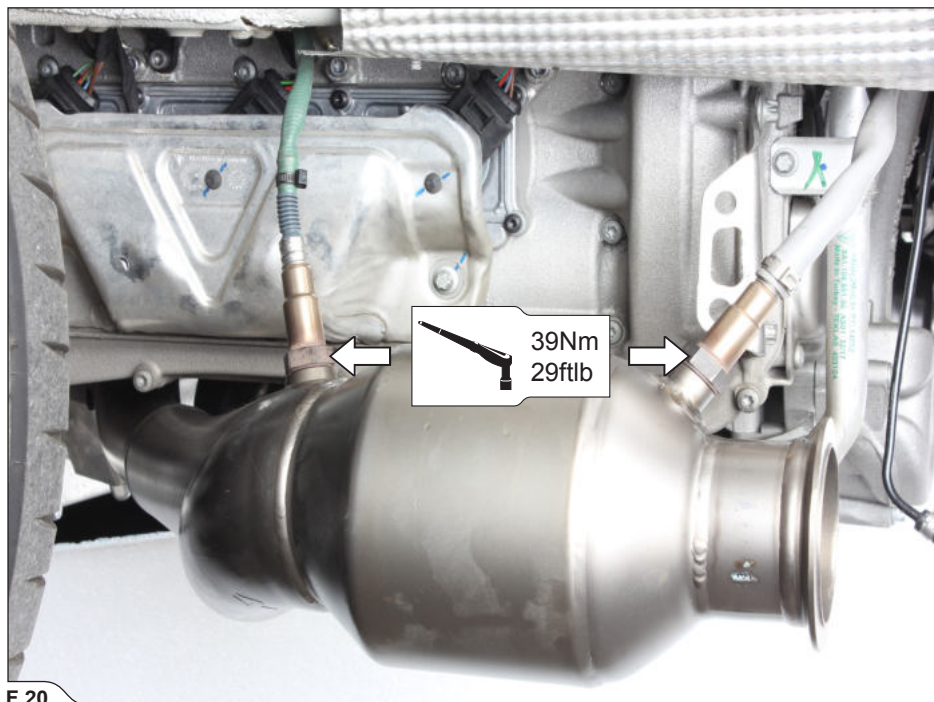


F 18



2. Install lambda sensors on both sides of the vehicle (F 20).

! **IMPORTANT:** make sure not to damage the sensors' electrical leads during this process!



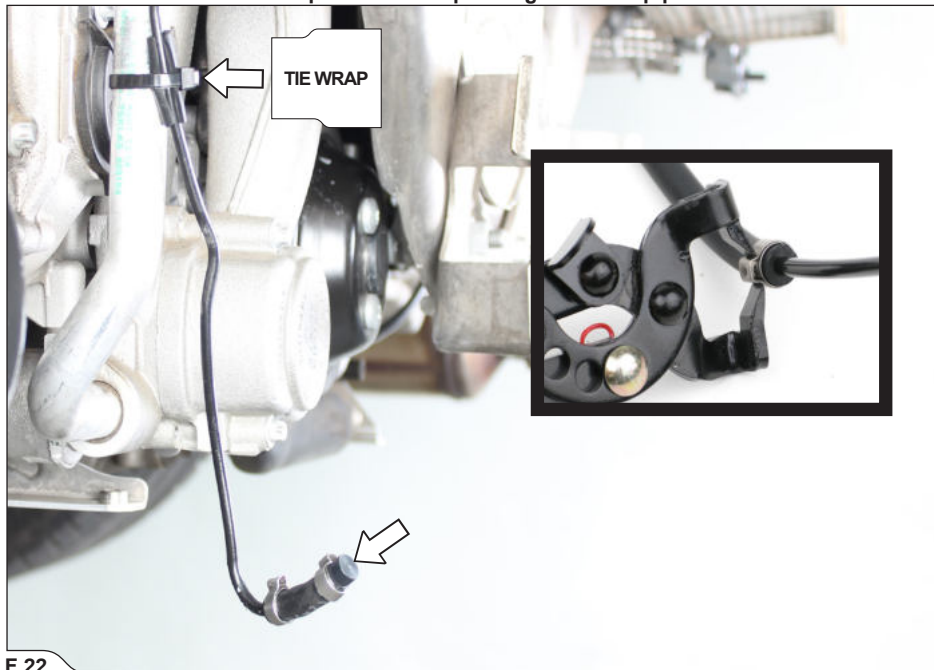
F 20

3. Install the plastic plugs from Akrapovič installation kit into both stock vacuum tubes. Secure the connection using clamps from Akrapovič installation kit. Secure the vacuum pipes using notched rubber tubes and plastic tie wraps from Akrapovič installation kit, on both sides of the vehicle, as shown (F 21, 22, 23).

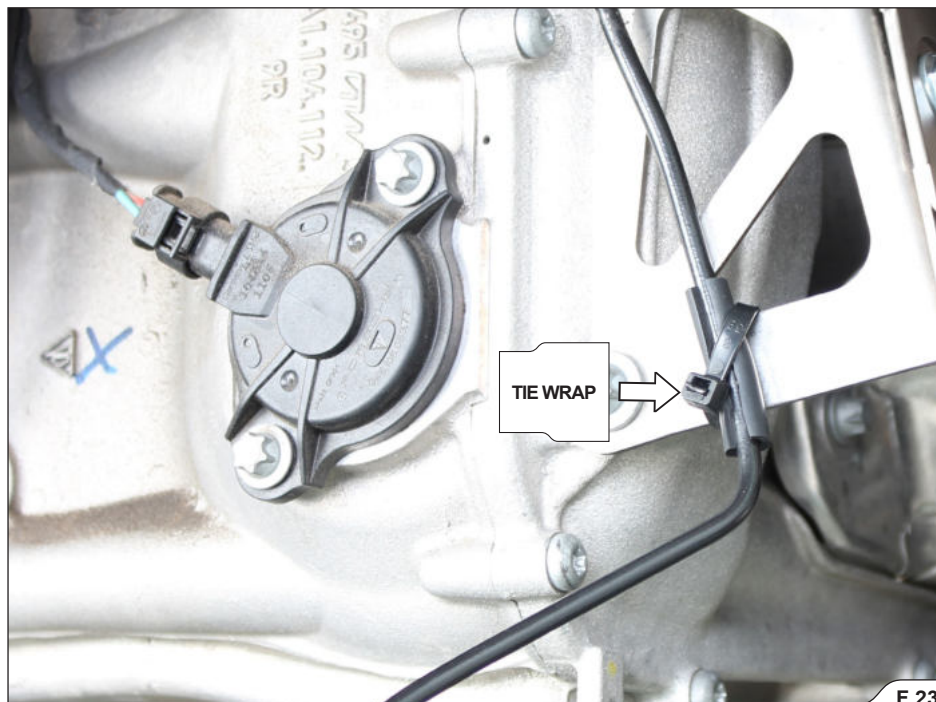




- ! **IMPORTANT:** direct the stock vacuum tube in such a way, that it doesn't touch any hot or moving parts!
- ! **IMPORTANT:** make sure, that stock vacuum tube is not bent or obstruct in any way!
- ! **IMPORTANT:** secure vacuum tubing connections, using clamps from Akrapovič installation kit! Install the clamps with corresponding tube clamp pliers.

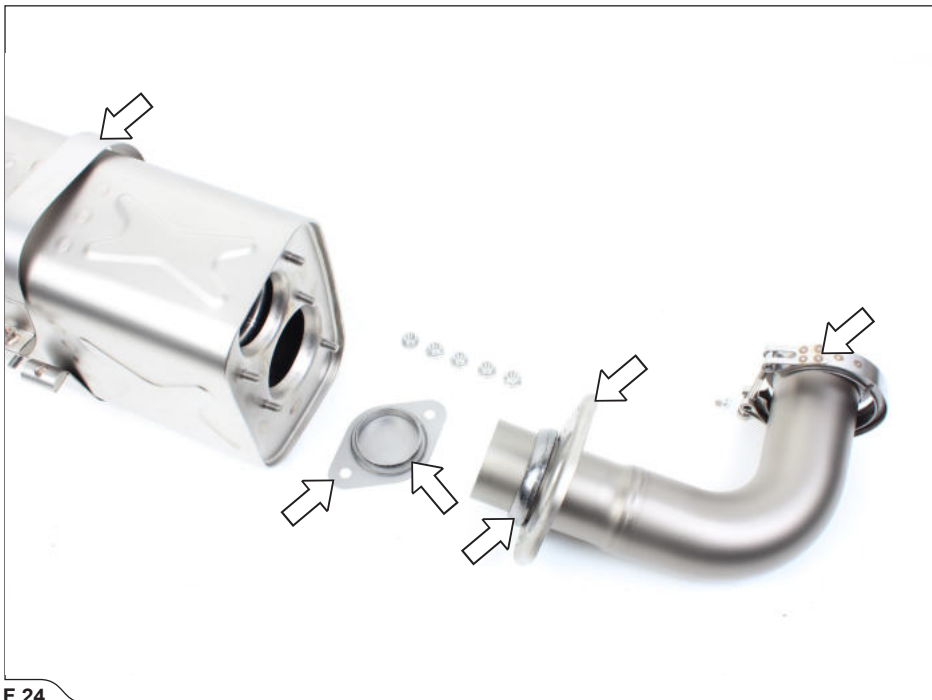


F 22



4. **For Slip-On only:** assemble Akrapovič muffler with clamps, correctly orient and attach muffler flanges with sealing plates (using nuts from Akrapovič installation kit), gaskets, link pipes and V-clamps as shown, on both sides of the muffler (**F 24, 25**).

**!** **IMPORTANT:** hand tighten the nuts only!



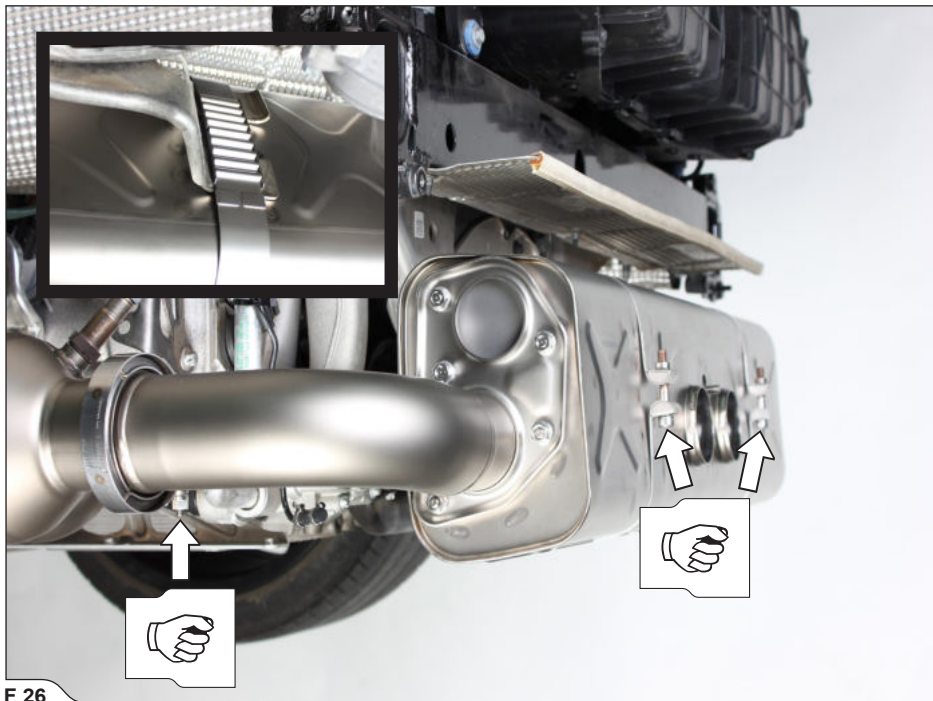
F 24



F 25

5. **For Slip-On only:** hang Akrapovič muffler together with link pipes onto the vehicle. Correctly attach V-clamps and hand tighten the V-clamp nuts and central muffler clamps only (F 26).

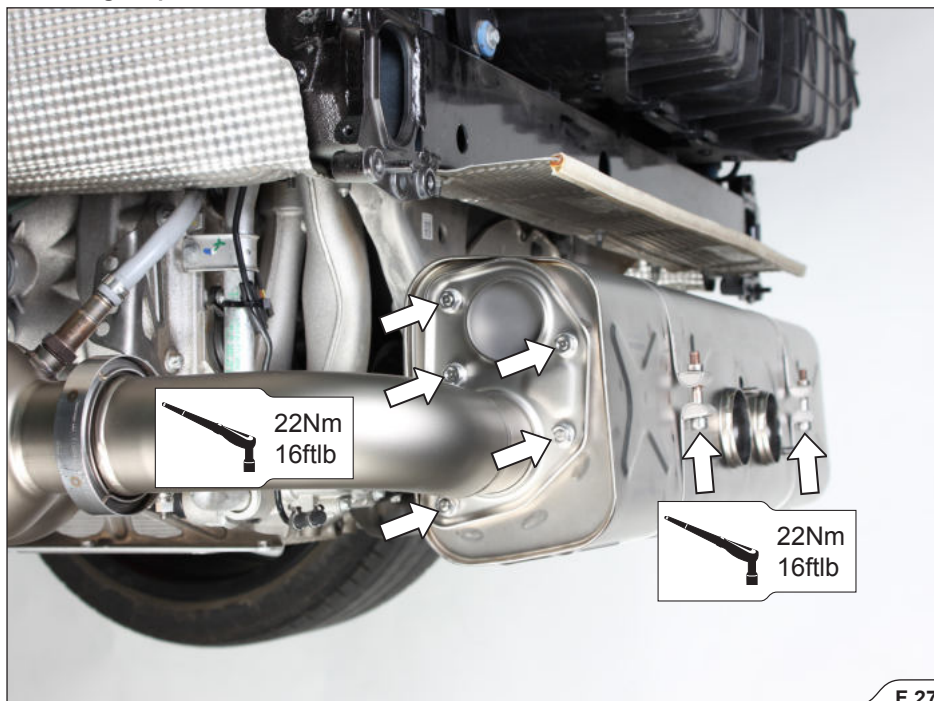
! **CAUTION:** make sure not to injure yourself or damage any part of the vehicle/exhaust system during this process!



F 26

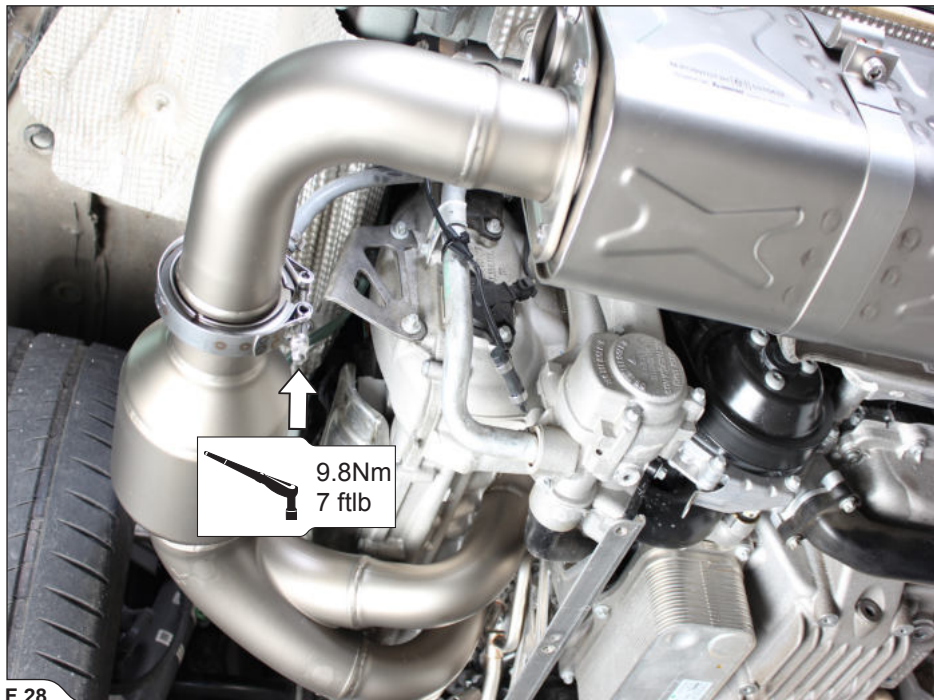
6. **For Slip-On only:** align and center Akrapovič muffler in respect to the vehicle and tighten the muffler clamps and flange nuts to the specified torque on both sides of the muffler (F 27).

! **CAUTION:** make sure not to injure yourself or damage any part of the vehicle/exhaust system during this process!



7. **For Slip-On only:** tighten Akrapovič V-clamps on both side of the vehicle to the specified torque (F 28).

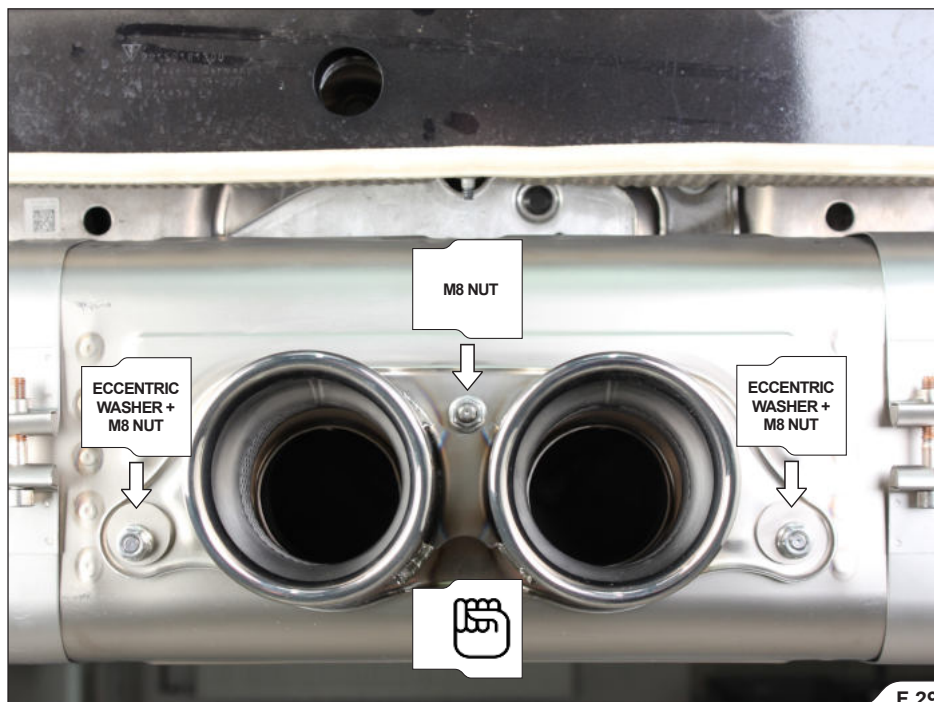
! **CAUTION:** make sure not to injure yourself or damage any part of the vehicle/exhaust system during this process!



F 28

8. **For Slip-On only:** attach Akrapovič Tail-Pipes onto the muffler's outlet. Correctly assemble an hand tighten nuts and centering washers from Akrapovič installation kit (**F 29**).

! **CAUTION:** make sure not to injure yourself or damage the exhaust system during this process!



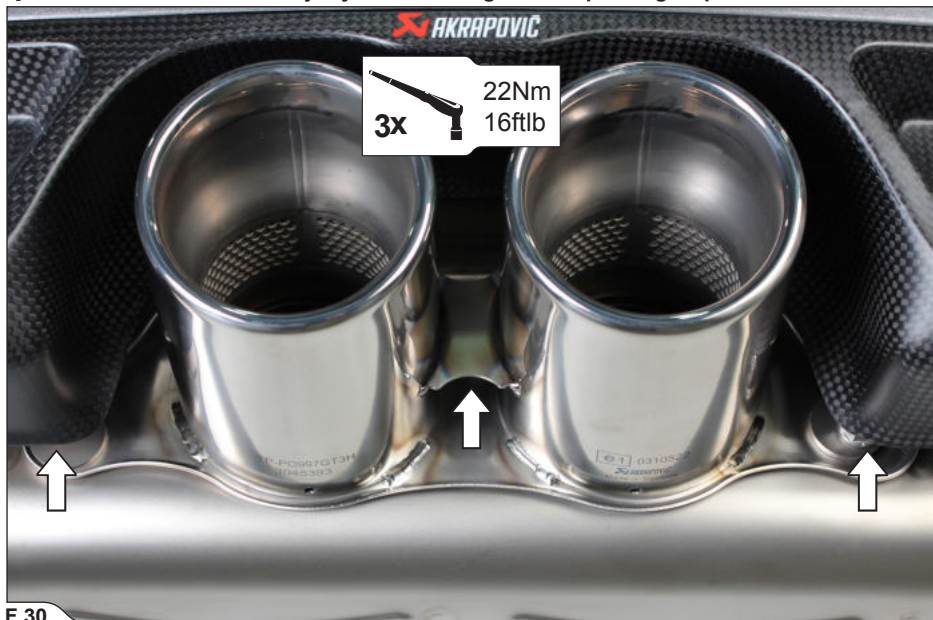


9. **For Slip-On only:** reinstall all dismantled stock parts; check vehicle manufacturer manual for correct procedures and tightening torques.

! **CAUTION:** make sure not to injure yourself or damage any part of the exhaust system during this process!

10. **For Slip-On only:** adjust and center the Tail Pipes in respect to the bumper's cut out and tighten the tail pipes' nuts to the specified torque (**F 30**).

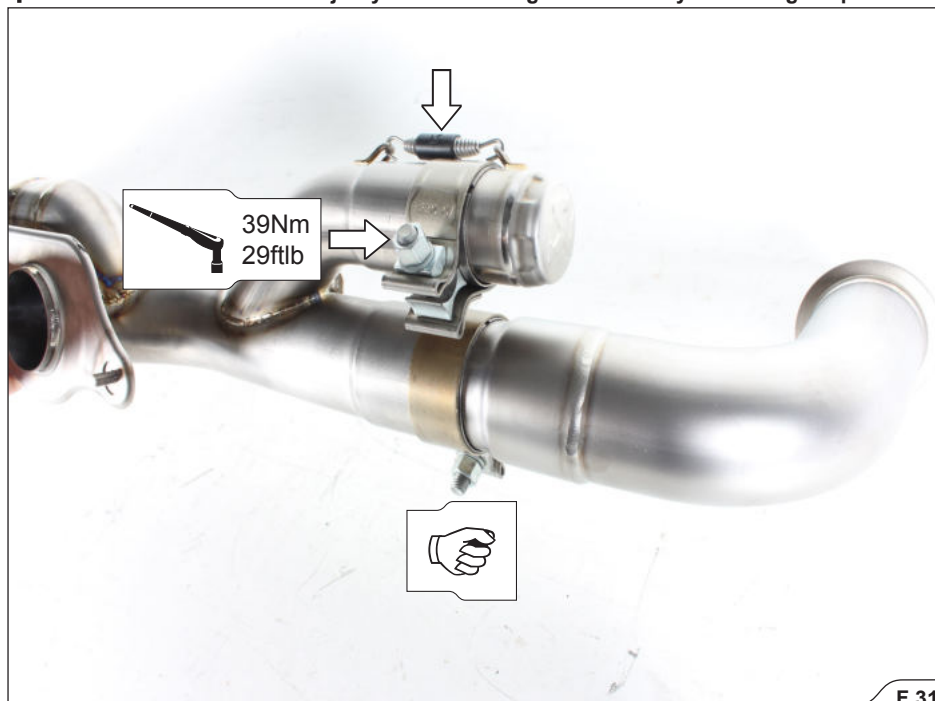
! **CAUTION:** make sure not to injure yourself or damage the Tail Pipe during this process!



F 30

11. **For Slip-On Race only:** assemble the Slip-On Race system with clamps, link pipes, sealing plugs and springs, as shown; hand tighten the link pipes' clamps and fully tighten the plugs' clamps (F 31).

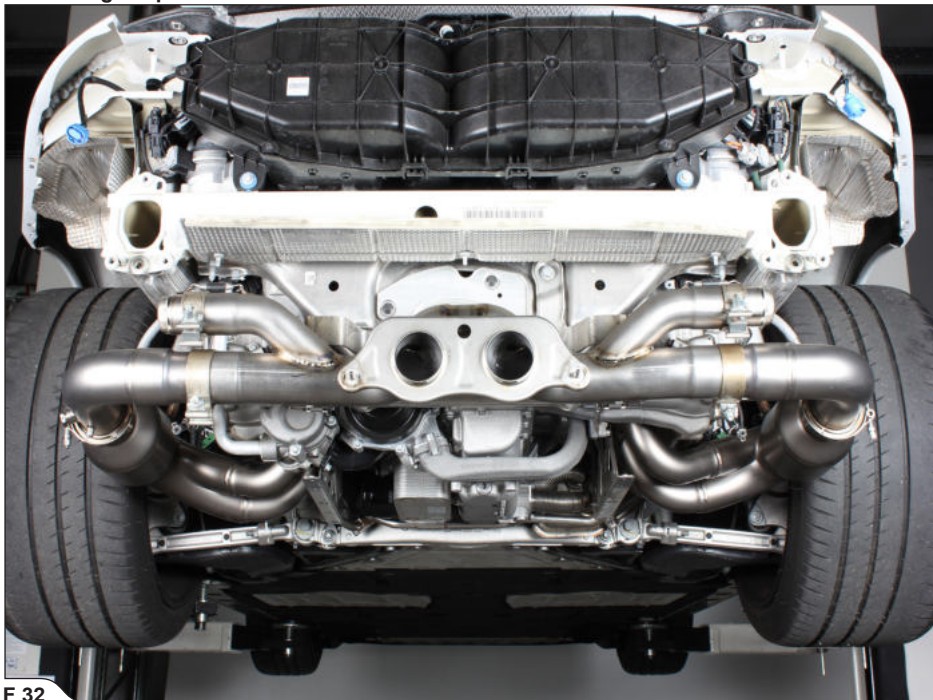
**!** CAUTION: make sure not to injure yourself or damage the exhaust system during this process!



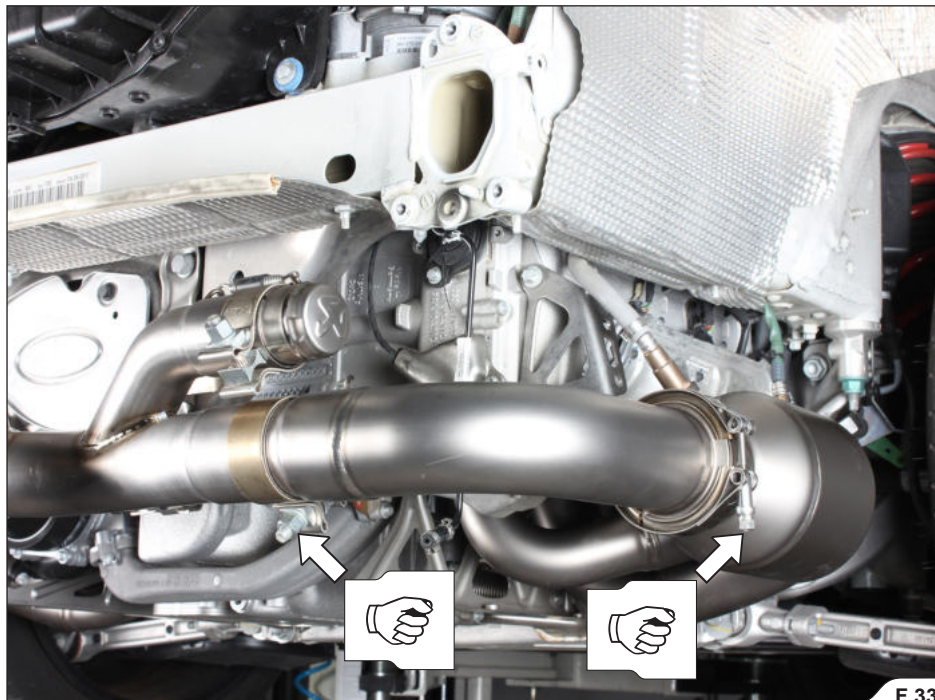
F 31

12. **For Slip-On Race only:** install the Slip-On Race system onto the vehicle and hand tighten Akrapovič clamps (F 32, 33).

! **CAUTION:** make sure not to injure yourself or damage any part of the vehicle/exhaust system during this process!

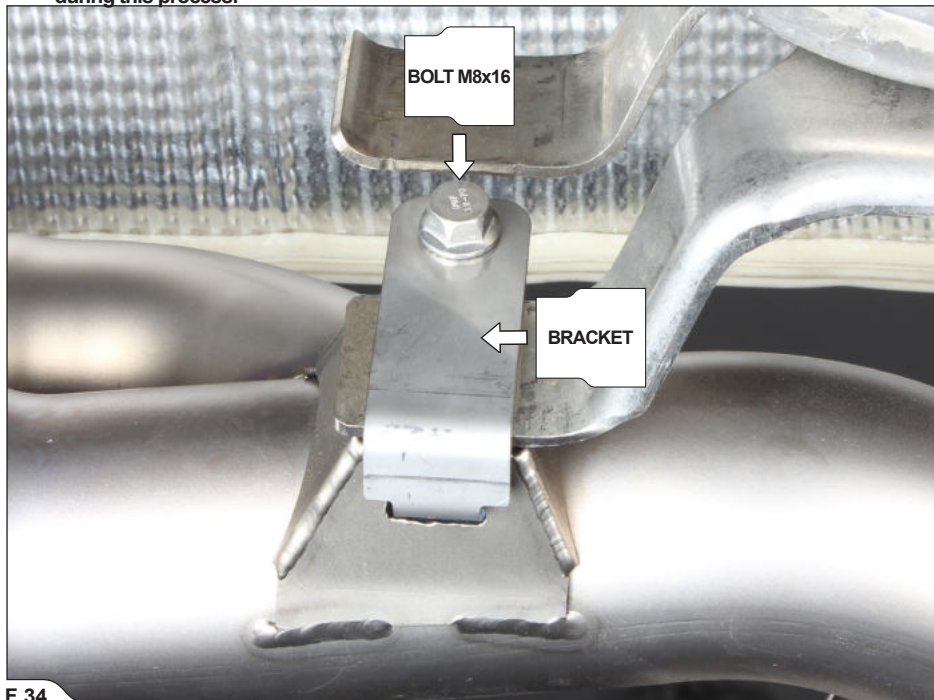


F 32

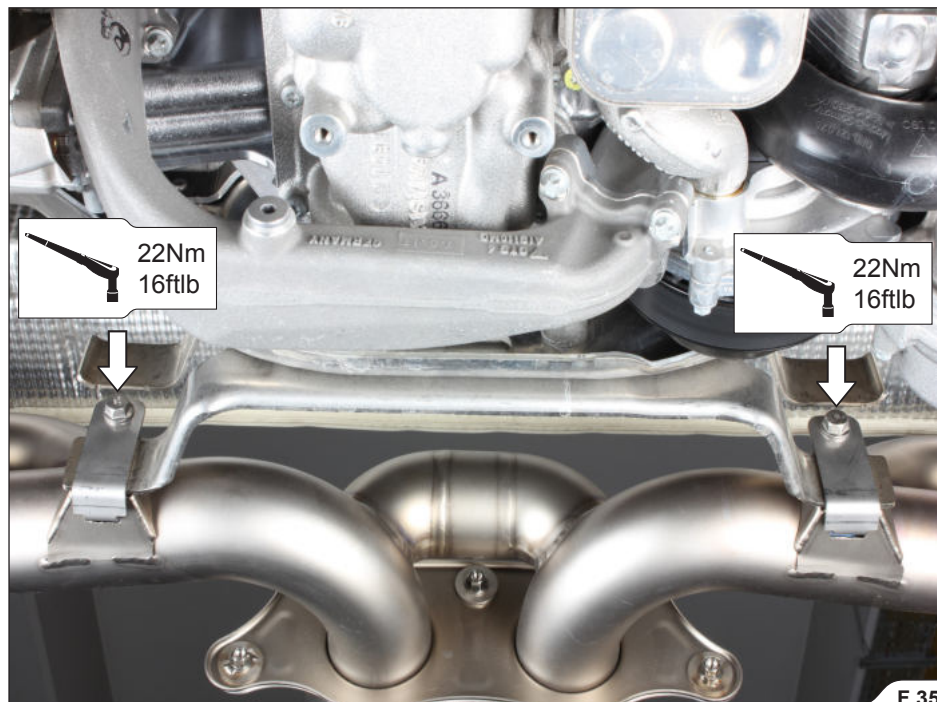


13. **For Slip-On Race only:** align the Slip-On Race system in respect to the chassis and tighten it to the muffler brackets, using brackets and bolts from Akrapovič installation kit (F 34, 35).

**!** **CAUTION:** make sure not to injure yourself or damage any part of the vehicle/exhaust system during this process!

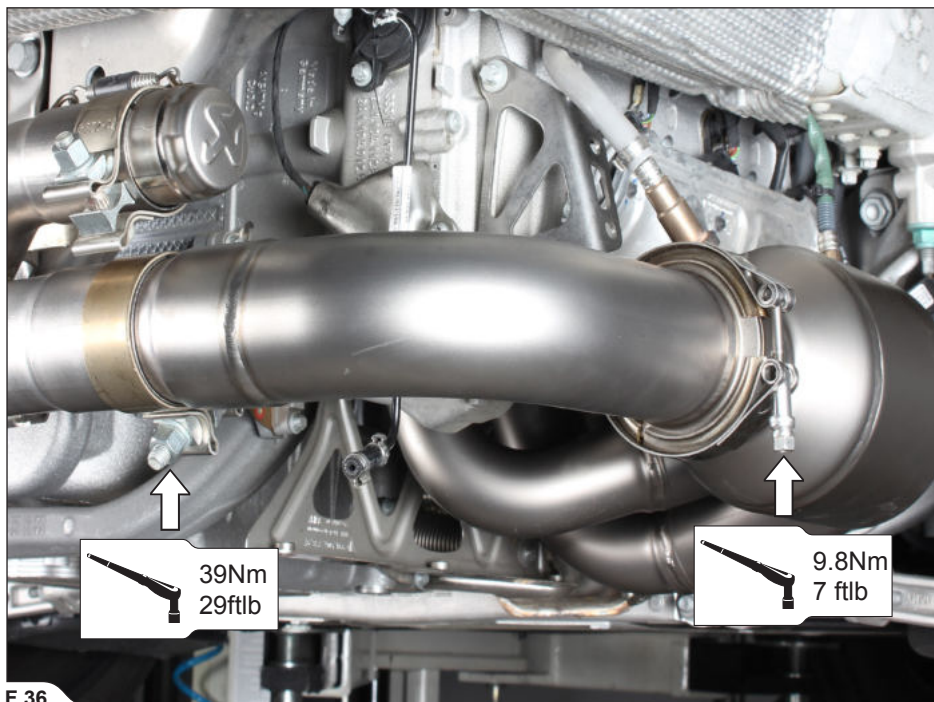


F 34



14. For Slip-On Race only: align all the clamps as shown and tighten them to the specified torques (F 36).

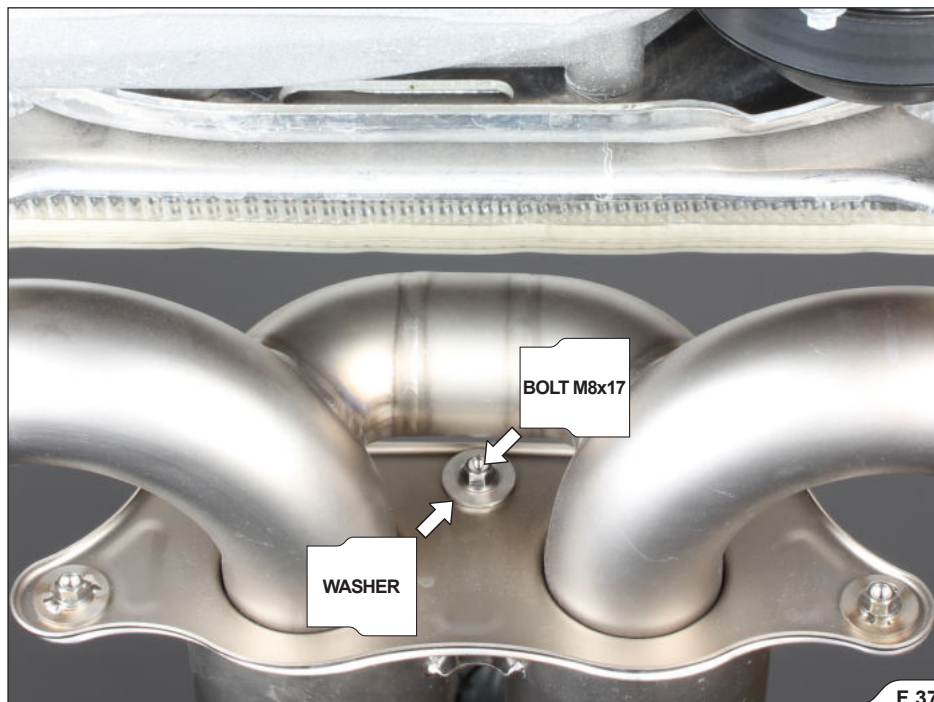
! **CAUTION:** make sure not to injure yourself or damage any part of the vehicle/exhaust system during this process!



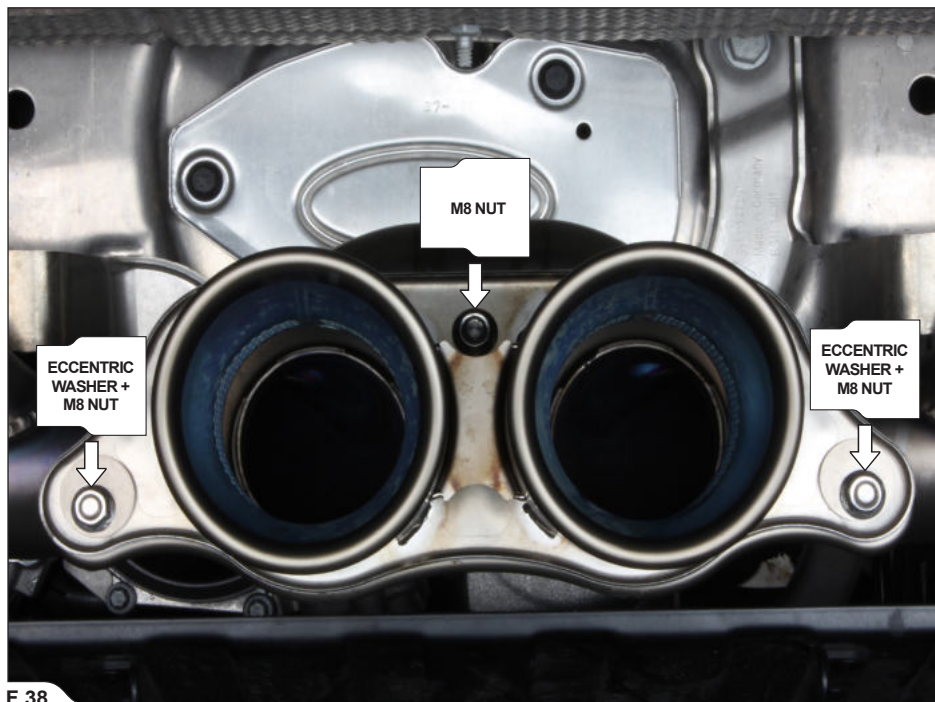
F 36

15. **For Slip-On Race only:** hand tighten the Tail Pipes onto the Slip-On Race system, using bolt, washer, eccentric washers and nuts from Akrapovič installation kit (**F 37, 38, 39**).

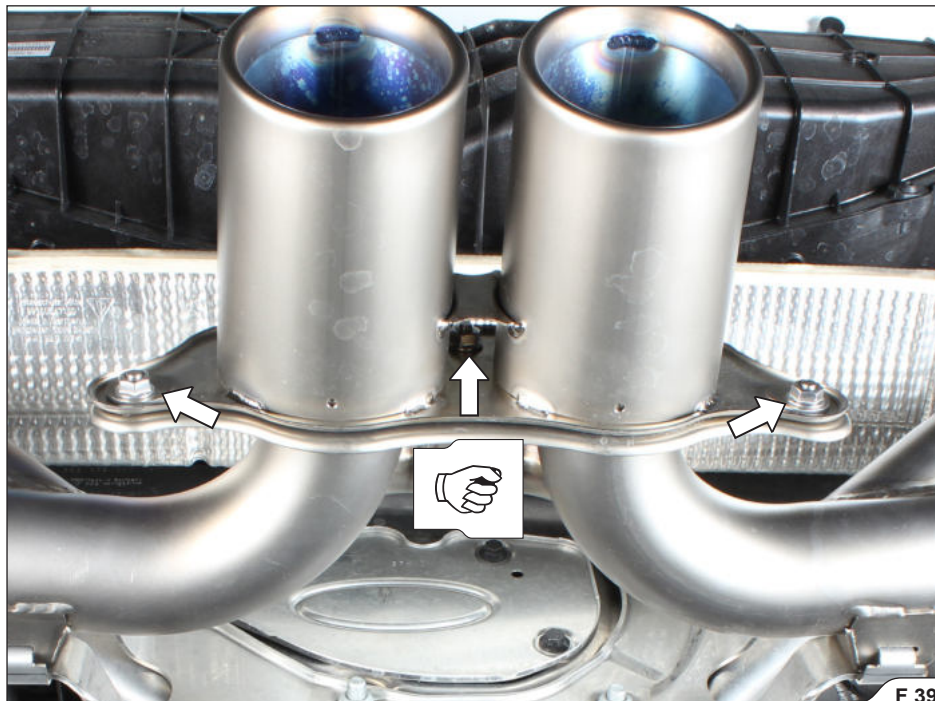
! **IMPORTANT:** hand tighten the Tail pipe's nuts and bolt only!







F 38

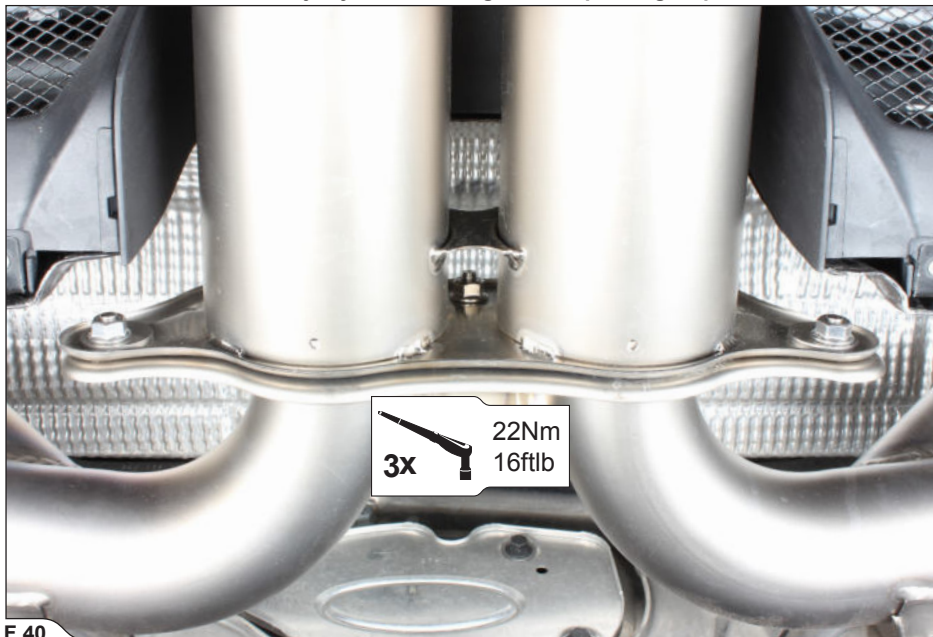


16. Reinstall all dismantled stock parts; check vehicle manufacturer manual for correct procedures and tightening torques.

! **CAUTION: make sure not to injure yourself or damage any part of the exhaust system during this process!**

17. Adjust and center the Tail Pipe in respect to the bumper's cut out and tighten the tail pipes' nuts and bolt to the specified torque (**F 40**).

! **CAUTION: make sure not to injure yourself or damage the Tail Pipe during this process!**



F 40

## FINAL INSTALLATION:

- ! **IMPORTANT:** reinstall the dismantled or partially removed stock parts (wheel arches, bumper etc.); check vehicle manufacturer manual for tightening torques.
- ! **IMPORTANT:** make sure all the nuts and bolts are sufficiently tightened. In case the exhaust system touches the cowling or other parts, repeat the adjustment of the exhaust system or contact your authorized dealer.
- ! **IMPORTANT:** clean all exhaust components before the first start of the engine or the stains will burn onto the surfaces!

## MAINTENANCE OF THE AKRAPOVIČ EXHAUST SYSTEM:

1. Clean the titanium exhaust components with a multi-purpose spray lubricant (WD-40<sup>®</sup> or equivalent)\*, carbon fiber exhaust components with soft and dry cloth and stainless steel components with soft cloth sprayed with contact cleaner, then wipe with soft and dry cloth. A change in the color of the exhaust system is normal due to high temperatures.
2. Periodically make sure all the bolts and springs are sufficiently tight.

\*WD-40<sup>®</sup> is a trademark of the WD-40 Company.



**INSTALLATION TIP: IT IS NORMAL FOR WHITE SMOKE TO COME OUT OF THE MUFFLER AT FIRST OPERATION.**

- ! **CAUTION: DO NOT STAND BEHIND THE MUFFLER AT ANY TIME.**
- ! **CAUTION: DO NOT USE AUTOMOTIVE WHEEL CLEANERS OR ANY CLEANING PRODUCTS WHICH CONTAIN ACIDIC ADDITIVES TO CLEAN THE AKRAPOVIČ EXHAUST SYSTEMS.**

**WARNING: THE EXHAUST SYSTEM CAN BE EXTREMELY HOT. ALLOW THE EXHAUST AND ENGINE TO COOL DOWN BEFORE BEGINNING INSTALLATION OR ANY OTHER WORK ON THE EXHAUST SYSTEM. THIS MANUAL IS SPECIFIC TO THE PORSCHE 911 GT3 TYPE 991.2. THERE MAY BE SOME DIFFERENCES IN INSTALLATION PROCEDURES FOR OTHER MODELS.**

## TROUBLESHOOTING:

Problem	Possible cause	Solution
Exhaust gas leaks out of the muffler/pipe clamp connections	loosened clamp	tighten the clamp to specified torque
	connection is not completely joined	tap the connection into place and tighten the clamp to specified torque

**[EMPTY PAGE]**

[EMPTY PAGE]

[www.akrapovic.com](http://www.akrapovic.com)

