



## Installation instructions

Akrapovič Exhaust System:

**Slip-On**

for the

**Porsche 911 Carrera S** (type 991.2)

**Porsche 911 Carrera 4** (type 991.2)

**Porsche 911 Carrera 4S** (type 991.2)

**Porsche 911 Carrera GTS** (type 991.2)

ENGLISH

Version 1.0

03/2017



[www.akrapovic.com](http://www.akrapovic.com)





## Installation instructions

Akrapovič Exhaust System:

### **Slip-On**

for the

**Porsche 911 Carrera S** (type 991.2)

**Porsche 911 Carrera 4** (type 991.2)

**Porsche 911 Carrera 4S** (type 991.2)

**Porsche 911 Carrera GTS** (type 991.2)

ENGLISH

Version 1.0

03/2017

[www.akrapovic.com](http://www.akrapovic.com)

Congratulations on purchasing the Akrapovič exhaust system. The Akrapovič exhaust system is a product of Akrapovič d.d., Malo Hudo 8a, 1295 Ivančna Gorica, Slovenia ("Akrapovič").

**Please read this entire installation manual carefully prior to installing and using the Akrapovič exhaust system.**

Akrapovič exhaust system should only be installed by persons skilled in car exhaust system installation and performance. The instructions provided in this manual should be followed to ensure proper installation and safe use of the Akrapovič exhaust system. Akrapovič and/or its partners shall not be held liable for any damage or personal injury (including direct, indirect, or consequential damage) sustained as a result of improper installation of the Akrapovič exhaust system or its use and maintenance contrary to the instructions and warnings contained herein.

If you have any questions regarding the installation and/or proper use of the Akrapovič exhaust system or this manual, please contact your local Akrapovič partner.

For more information on the Akrapovič exhaust systems, see the official Akrapovič website at: <http://www.akrapovic.com>

## **GENERAL INFORMATION**

Your safety is our number one priority. Please drive your car responsibly, safely and always obey local traffic rules.

All statements made with regard to the exhaust system's compliance are made in respect of the exhaust system "as is". Any modifications of the Akrapovič exhaust system or its improper installation, use or maintenance that is not in accordance with this Installation manual, may result in severe damage to the exhaust system and/ or engine, as well as personal injury, and may affect the exhaust system's compliance with the legal requirements, such as exhaust system's air and/ or noise emissions (as an example, the car may not be suitable for use on public roads any longer), as well as warranty coverage.

The exhaust system may only be used in accordance with relevant laws and regulations, including state and federal, where applicable.

Damage caused by improper installation, use and maintenance of the Akrapovič exhaust system is not covered by the Akrapovič warranty. Please refer to the enclosed warranty with regard to the terms of our warranty.

Technical specifications of Akrapovič exhaust systems and related products are subject to change without notice.

## **COPYRIGHT AND OTHER RIGHTS NOTICE**

The Akrapovič trademark, including corporate logos and emblems, are subject to copyright as well as trademark rights of Akrapovič, its licensors, or third persons authorizing Akrapovič to use them.

Any reproduction, technical or other manipulation, translation, or other use of the copyright and/or trademark rights contained herein is prohibited without the explicit prior written consent of Akrapovič. The same especially applies to the entire contents of this manual and/or any of its parts, including but not limited to technical specifications, instructions, graphs, photographs, and so on included in this manual.

The shape of the exhaust system is protected under a registered Community Design No. RCD 002747105-0001.

Akrapovič takes all copyright and other rights infringement cases under serious consideration. If you have any reason to believe that your exhaust system is not an original Akrapovič product, please contact our local partners or Akrapovič at [info@akrapovic.com](mailto:info@akrapovic.com).

## SAFETY AND COMPLIANCE WARNING, PLEASE READ CAREFULLY

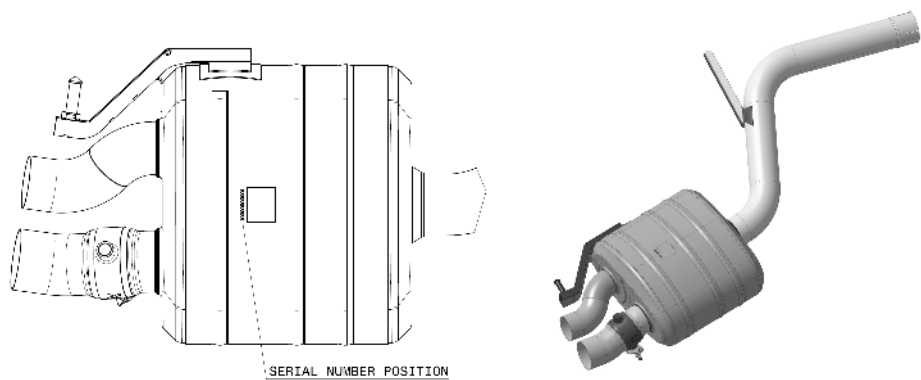
**BEFORE REMOVING THE STOCK EXHAUST SYSTEM AND BEGINNING THE INSTALLATION OF YOUR NEW AKRAPOVIČ EXHAUST, PLEASE MAKE SURE THAT ALL ITEMS LISTED BELOW ARE VERIFIED:**

- This manual is specific to the car indicated on the cover page, for which it is designed. Installation procedures vary depending on the type of car. Please verify that the Akrapovič **exhaust system and this installation manual correspond to the type of your car.**
- The exhaust system can get extremely hot during and after it is used. Make sure not to touch the exhaust system until it is completely cool. **Allow the exhaust and engine to cool down before beginning installation.**
- Make sure the car is **securely positioned to prevent** damage to yourself and other, or the car.
- Please check the parts you received against the parts list available on our website (please use the QR code on the front page or look for “schematic view” in the respective product page on [www.akrapovic.com](http://www.akrapovic.com)). Make sure that you have **all the parts necessary for the installation** of your new Akrapovič exhaust system. If any of the parts is missing, please do not proceed with uninstalling your stock exhaust system/installing the Akrapovič exhaust system and contact the retailer where you purchased the Akrapovič exhaust system.
- Every exhaust system muffler has its unique serial number, which identifies the authenticity of the product. You can find the serial number on the muffler’s sleeve. Please refer to the **picture 1** below. Please verify that your exhaust system is an original Akrapovič product. If you have any doubts, please contact the reseller where you purchased the exhaust system or Akrapovič partners. This manual, any certificates and Akrapovič warranty apply to original products only.

## GENERAL NOTE

Photographs and other illustrations in this manual are symbolic and are intended to help represent individual steps for proper installation and use, as well as for a general overview. The actual component parts of the Akrapovič exhaust system may not entirely correspond to the photographs and other illustrations.

Picture 1 - Serial Number Position



## **NOISE AND EMISSION WARNINGS**

### **General warning**

Because of the world-wide distribution of Akrapovič d.d. products, neither Akrapovič d.d. nor any of its subsidiaries make any representation that the exhaust system complies with the air and/or noise emissions laws, or labeling laws, of any jurisdiction. The purchasers are entirely responsible for informing themselves of the applicable laws where the products are to be used and to comply with those law.

Although legal compliance of Akrapovič products in a specific country should be determined by the user, you can find some basic guidance on compliance of your Akrapovič exhaust system with various legal requirements on the product-related part of our website (please use the QR code on the front page or look for the respective product page on [www.akrapovic.com](http://www.akrapovic.com)). For EC and ECE type approvals, please refer to the certificate enclosed to your product.

### **USA WARNING**

Various U.S. states and the U.S. federal government have individual laws regulating the use of aftermarket exhaust parts and systems, especially as those parts and systems modify, remove, or replace original equipment catalysts. Please consult the appropriate laws in your area before installing any aftermarket part or system on your vehicle to ensure compliance with all applicable laws. Neither Akrapovic d.d. nor any of their subsidiaries or the sellers of the parts or systems make any representation that any of their parts or systems comply with any such laws.

### **CALIFORNIA WARNING**

California laws prohibit the use of any aftermarket exhaust part or system that modifies, removes or replaces original equipment catalysts unless the California Air Resources Board has issued an Executive Order regarding such part or system or unless the part or system is exempted by being used only on racing vehicles on closed courses. Neither Akrapovic d.d. nor any of their subsidiaries make any representation that any of their parts or systems has received such an Executive Order or that any of their parts or systems conform with the racing vehicles exemption. The purchasers are entirely responsible for informing themselves of applicable California laws and to comply with those laws.



## SYMBOLS

The following symbols are used throughout these installation instructions:



**TOOLS AND PROTECTIVE EQUIPMENT REQUIRED**



**TIGHTENING TORQUE**



**LUBRICATION**



**HAND TIGHTEN**



**INSTALLATION TIP**



**CAUTION OR IMPORTANT**

### USE BOLT SEALANT



Apply 3 to 4 small drops of bolt sealant onto the cleaned and degreased threads before tightening the bolts.

**WARNING! Avoid contact with skin, eyes and mucous membranes. Do not inhale fumes. Keep out of reach of children.**

### USE ANTI-SEIZE LEAD-FREE COPPER PASTE (black tube)



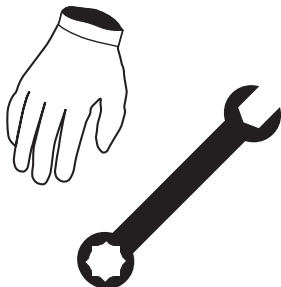
Provides trouble-free and long-lasting protection against seizing, corrosion and rusting of bolts, threaded ends, nuts, joints, etc. Also protects against vibration, wear and impact. **WARNING! Avoid eye contact. Keep out of reach of children.**

### USE ANTI-SEIZING GREASE (white tube)



Prevents seizing, corrosion and excessive wear between the titanium components of your exhaust system. **WARNING! Avoid eye contact. Keep out of reach of children.**

### Tools & equipment



- mechanic gloves
- eye protection
- T-handle E10 Torx wrench
- Torx 25
- Torx 27
- T-handle swivelling 30 Torx wrench
- T-handle swivelling 13 mm wrench
- T-handle 10 mm wrench
- Half-moon ring 12 mm wrench
- Socket driver Torx 30
- Combination 8 mm wrench
- Flat screwdriver

## PARTS LIST

The following parts should be found in the box:

- Installation Manual
- Homologation certificate/ compliance documents if applicable
- Warranty
- Fitting material
- Muffler and pipes

Detailed list of parts can be found on the Akrapovič website (please use the QR code on the front page or look for "Schematic view" in the respective product page on [www.akrapovic.com](http://www.akrapovic.com)).

**IMPORTANT: The car should be in the off position throughout the dismantling and installation process, as well as any other work done on the exhaust system!**

## **REMOVAL OF STOCK EXHAUST SYSTEM:**

The process of uninstalling the original exhaust system may vary depending on the existing exhaust system. Please follow the original exhaust system manufacturer's instructions for uninstalling the original exhaust system.

If you for any reason decide otherwise, please note that any information provided in this respect herein should be considered as general information provided for your convenience only. Akrapovič shall not assume any liability or responsibility with regard to uninstalling your existing exhaust system, warranty coverage of such exhaust system or vehicle or their further fitness for use.

**In case your Akrapovič exhaust system may not be used on certain roads or under certain conditions, please keep the stock or other exhaust system that you can use in such circumstances legally.**

## REMOVAL OF STOCK EXHAUST SYSTEM:

Put the vehicle onto a car lift.

**!** **CAUTION:** ensure that the car is lifted safely and properly in order to avoid the risk of vehicle damage, injury, or even death!

1. Unscrew and remove both rear wheels off the vehicle (F 01).

**!** **CAUTION:** make sure not to injure yourself or damage any part of the vehicle during this process!



F 01

2. Unscrew the market bolts and nut on both sides of the vehicle (F 02).

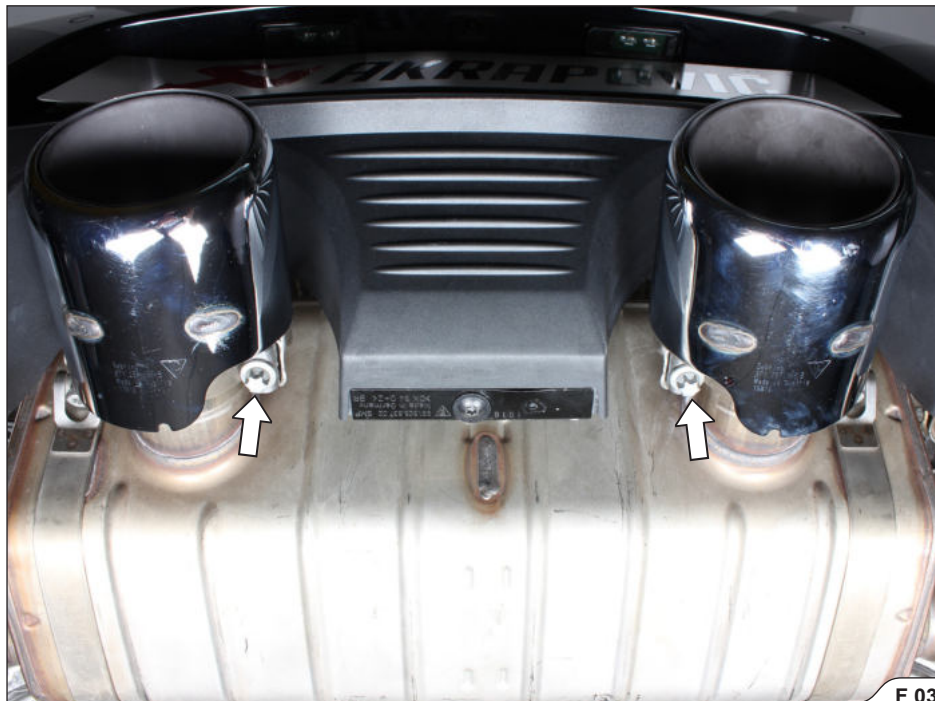
**!** **IMPORTANT:** make sure not to damage any part of the vehicle during this process!



F 02

3. Loosen the marked clamps and remove both tail pipes (F 03).

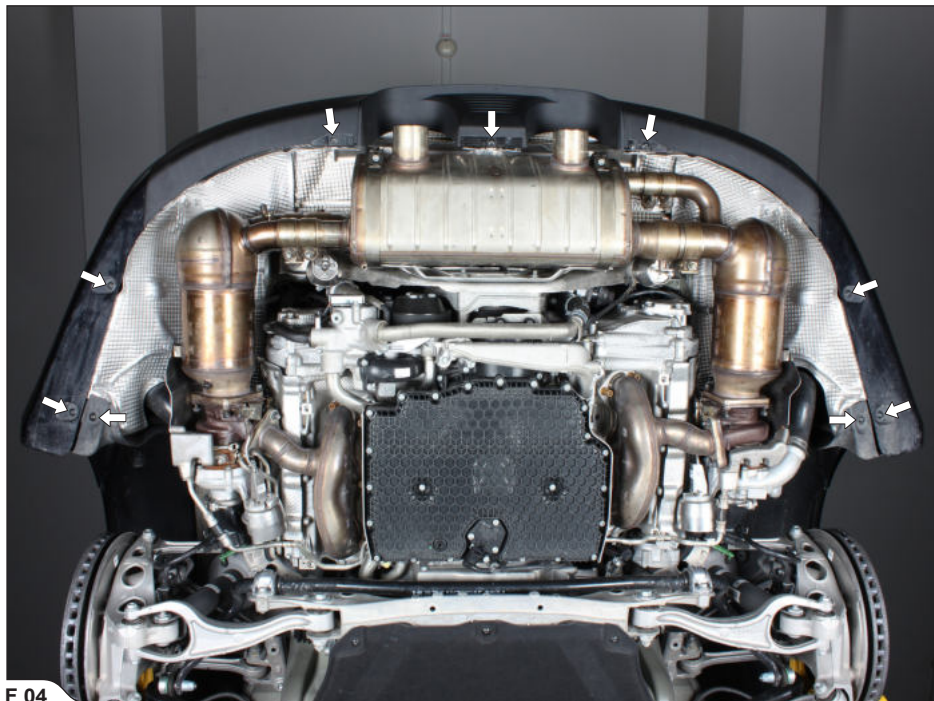
**!** **IMPORTANT:** make sure not to damage any part of the vehicle during this process!



F 03

4. Unscrew the market bolts (F 04).

! **IMPORTANT:** make sure not to damage any part of the vehicle during this process!



F 04

- Carefully undo the marked engine compartment trim panels and unscrew tail light bolts on both sides of the vehicle (F 05, 06, 07).

**!** CAUTION: make sure not to injure yourself or damage any part of the vehicle during this process!



F 05





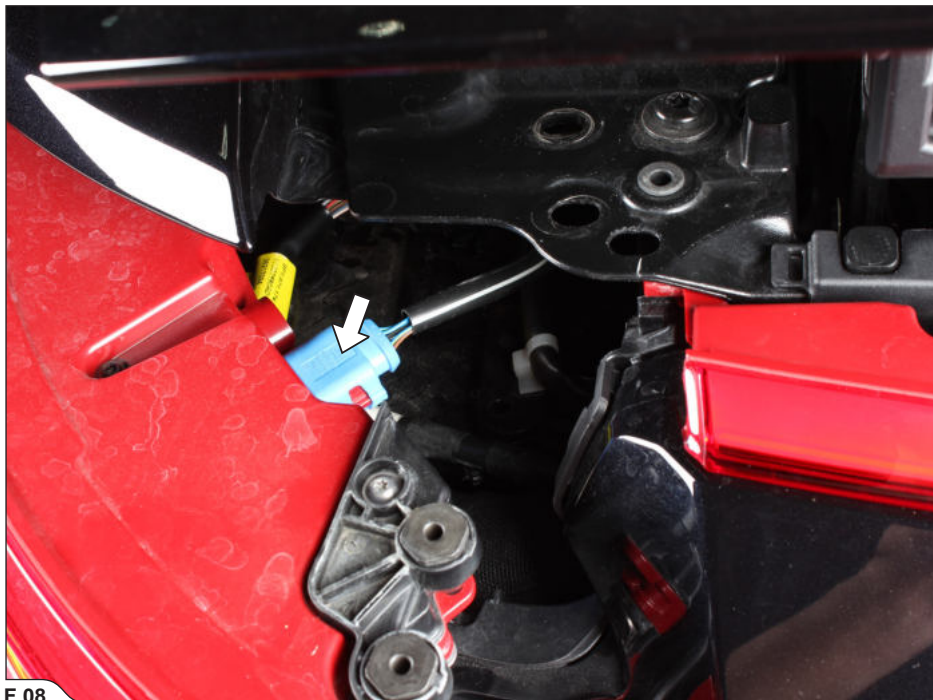
F 06



F 07

- Carefully pull the tail lights out of the chassis, disconnect the tail lights' electrical connectors and remove the tail lights off the vehicle, on both sides of the vehicle (F 08).

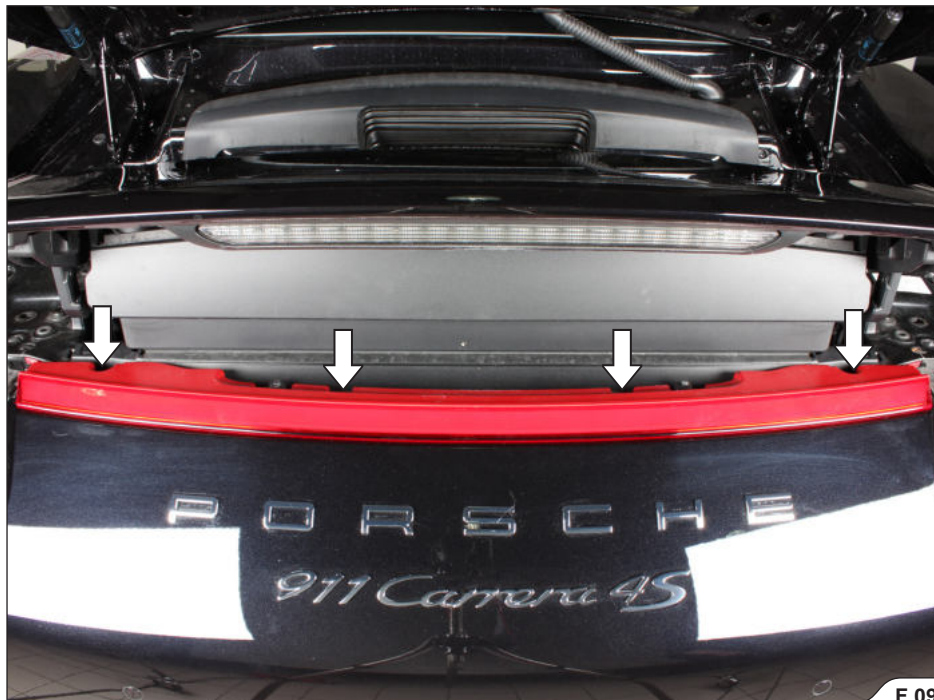
**!** **IMPORTANT:** make sure, not to damage the connectors, tail lights or any other part of the vehicle during this process!



F 08

7. Unscrew the marked upper bumper bolts (F 09).

**!** **IMPORTANT:** make sure not to damage any part of the vehicle during this process!



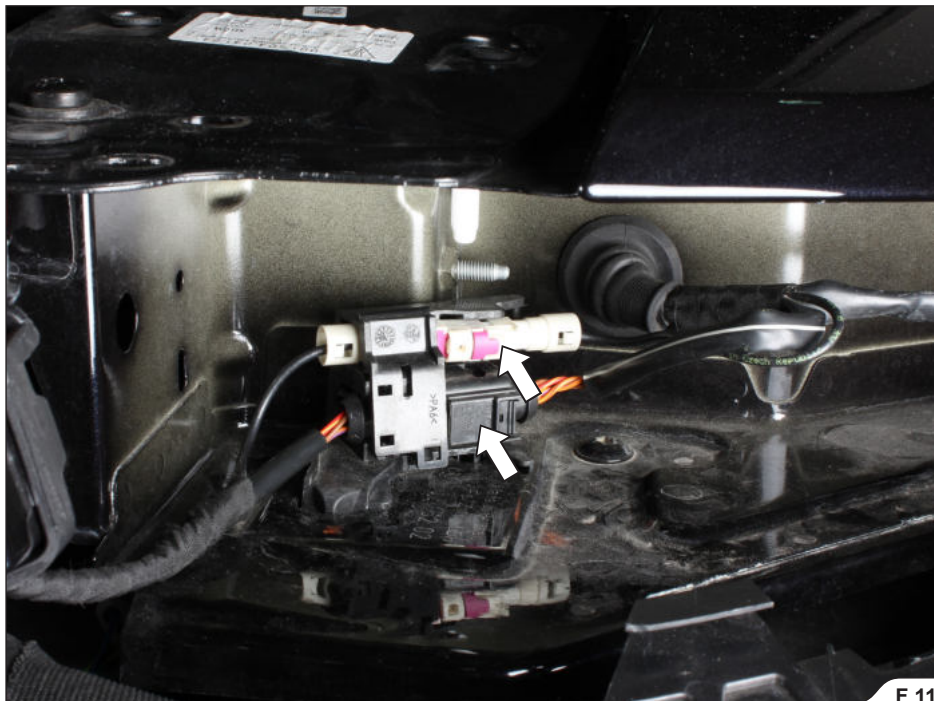
F 09

8. Undo the marked bumper's electrical connectors (F 10, 11).

**!** IMPORTANT: make sure not to damage any part of the vehicle during this process!



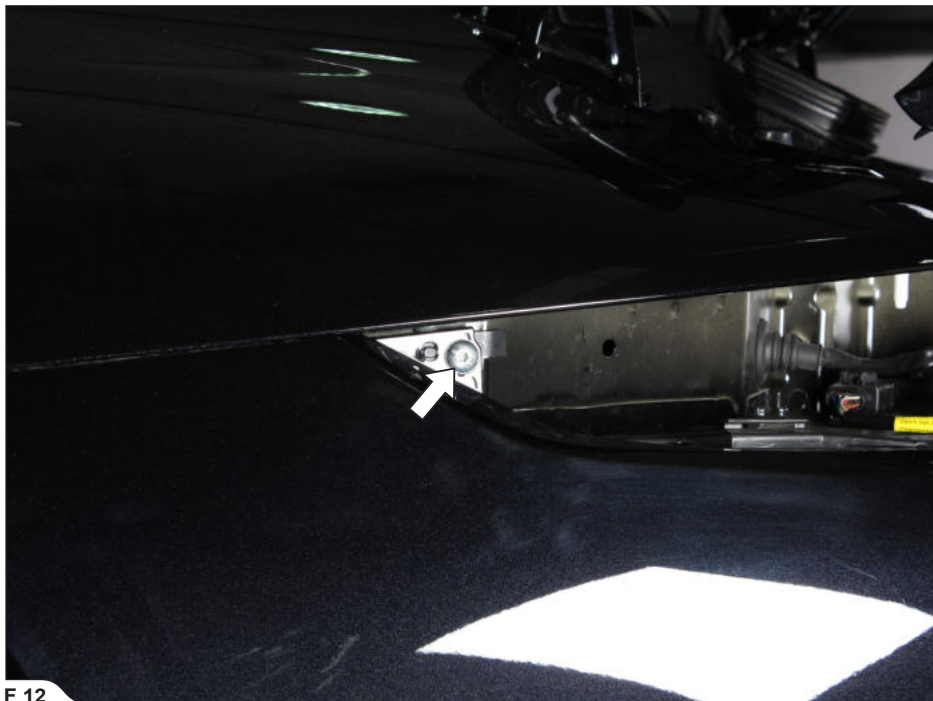
F 10



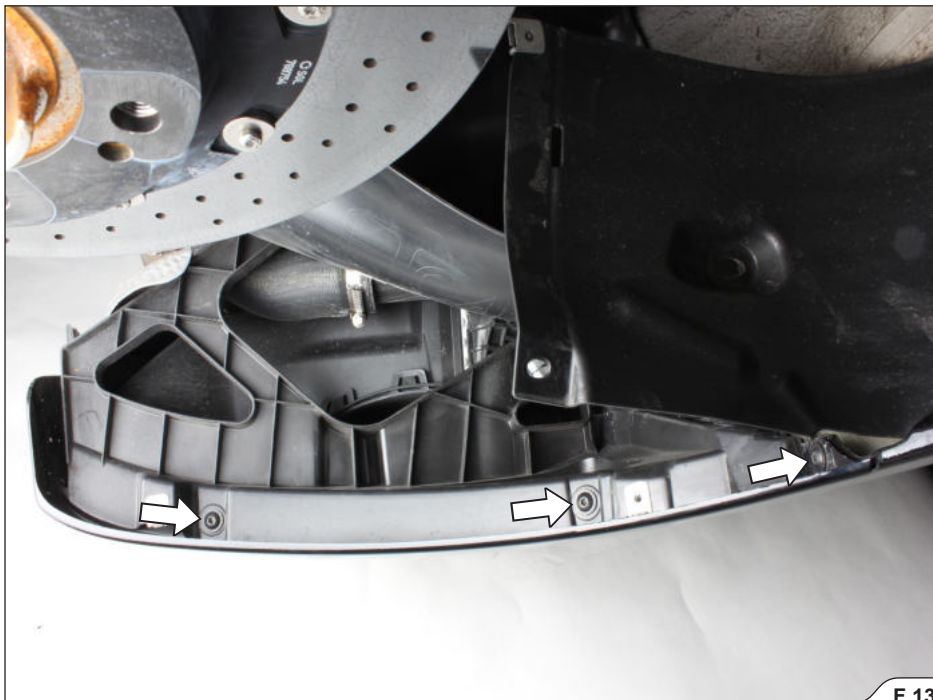


9. Unscrew the marked bolts on both sides of the vehicle and carefully remove the rear bumper off the vehicle (F 12, 13).

**!** **IMPORTANT:** make sure not to damage any part of the vehicle during this process!



F 12

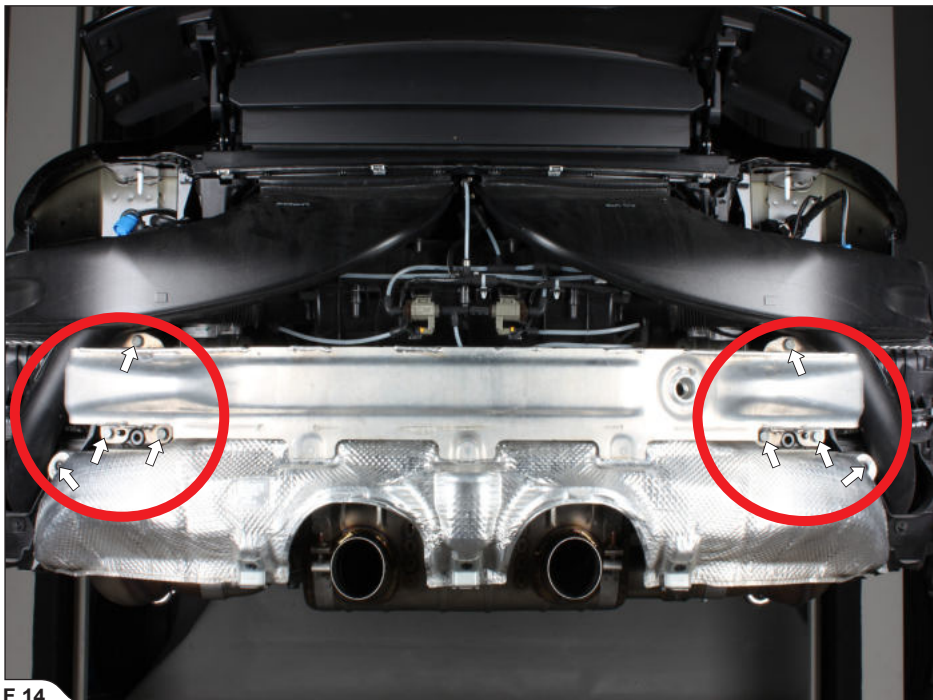


F 13



10. Unscrew the marked bolts on both sides of the vehicle and carefully remove the muffler's heat shield (F 14).

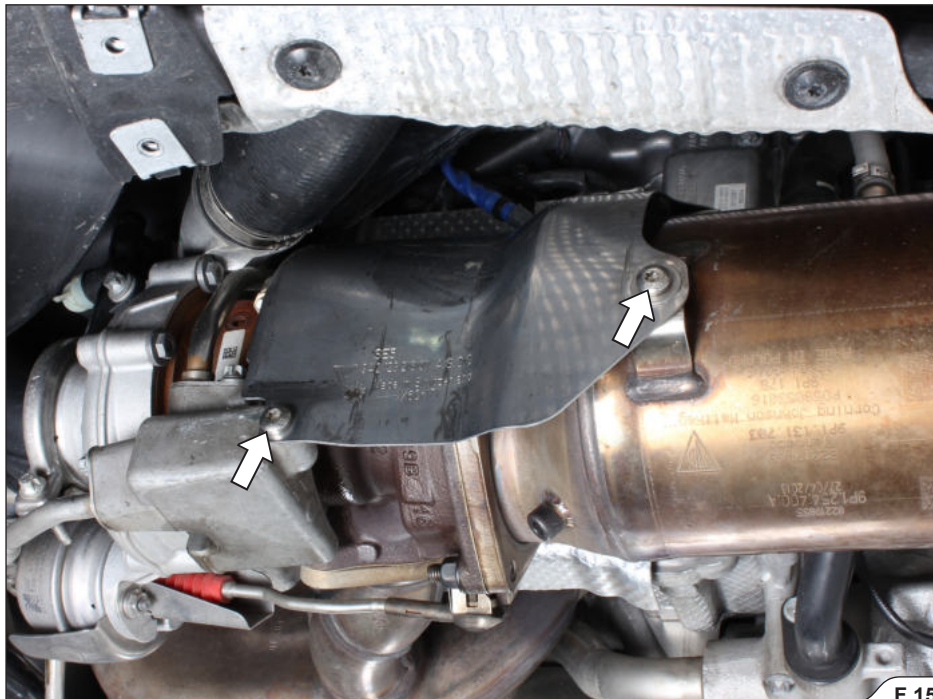
! **CAUTION:** make sure not to injure yourself or damage any part of the vehicle during this process!

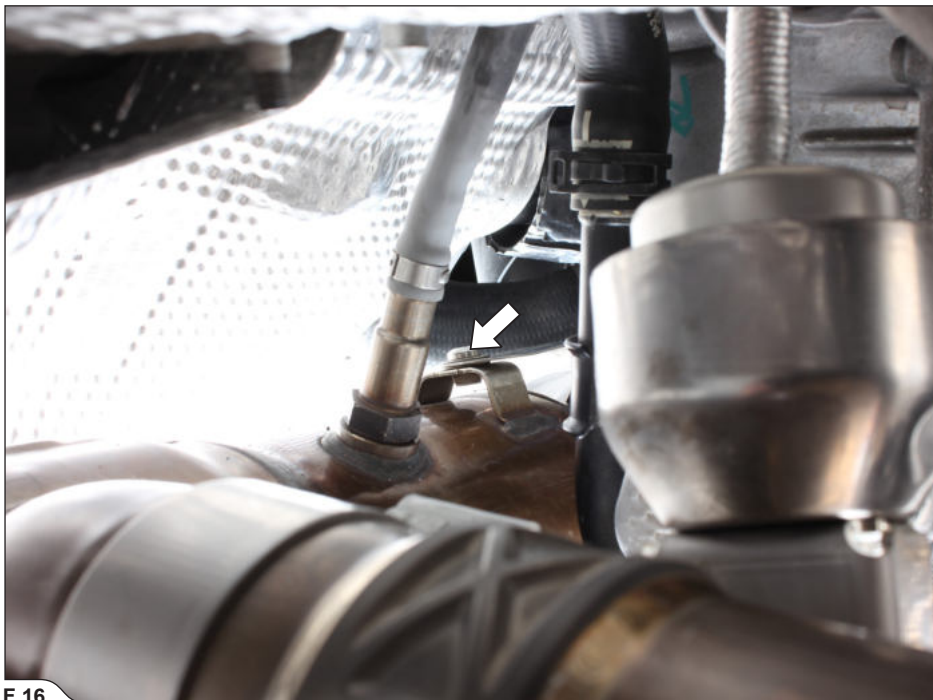


F 14

11. Unscrew the marked bolts on both sides of the engine and carefully remove both turbochargers' heat shields (F 15, 16, 17).

! **CAUTION:** make sure not to injure yourself or damage any part of the vehicle during this process!





F 16

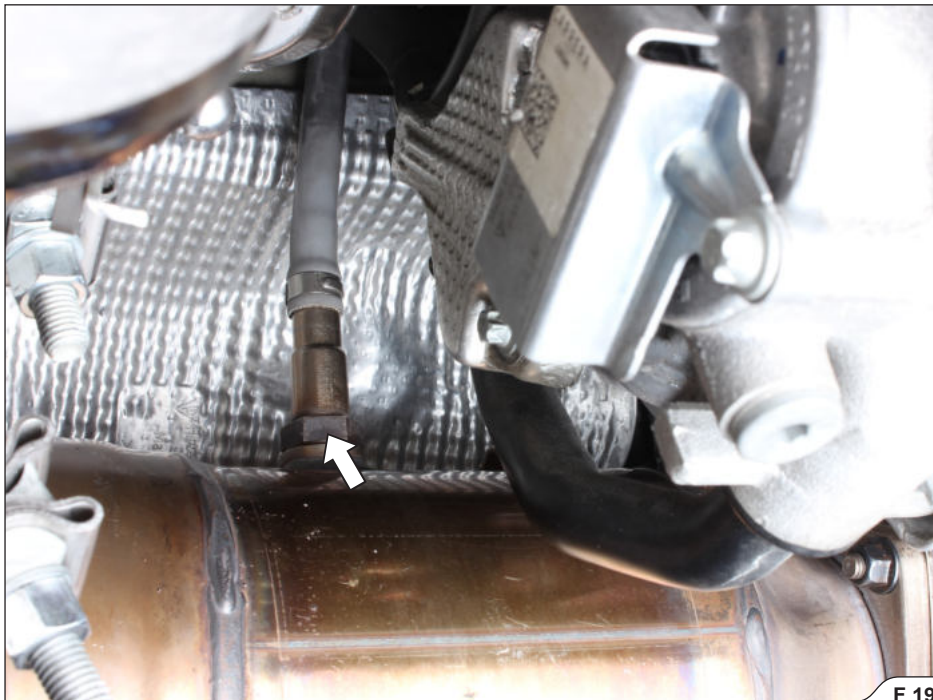


12. Unscrew all four lambda sensors on both sides of the engine (F 18, 19).

! **CAUTION:** make sure not to injure yourself or damage the lambda sensors during this process!



F 18

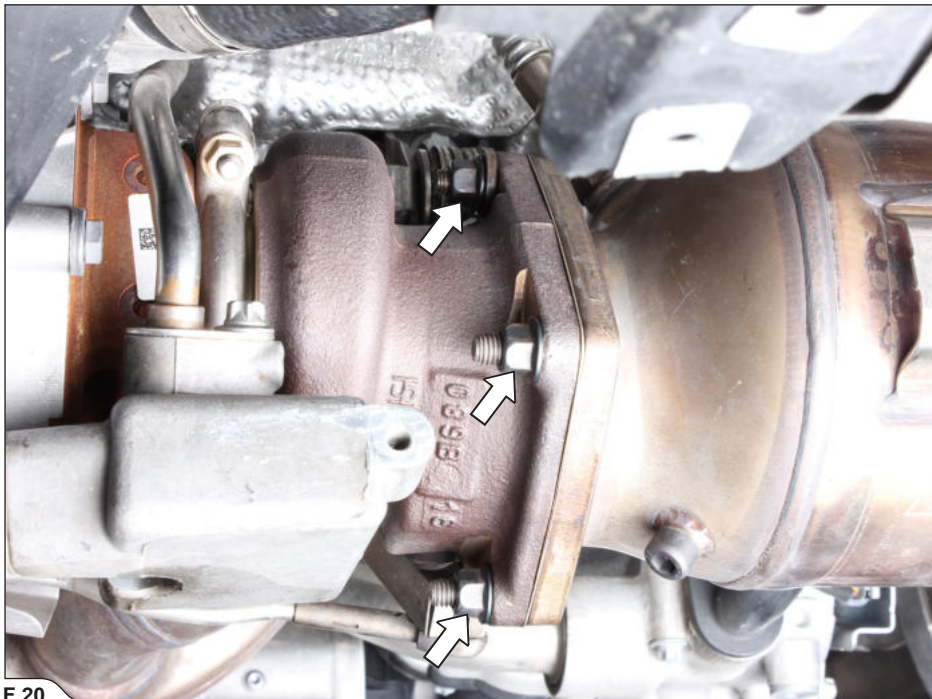


F 19



13. Unscrew all turbo chargers' flanges nuts on both sides of the engine (F 20, 21).

**!** CAUTION: make sure not to damage any part of the vehicle during this process!



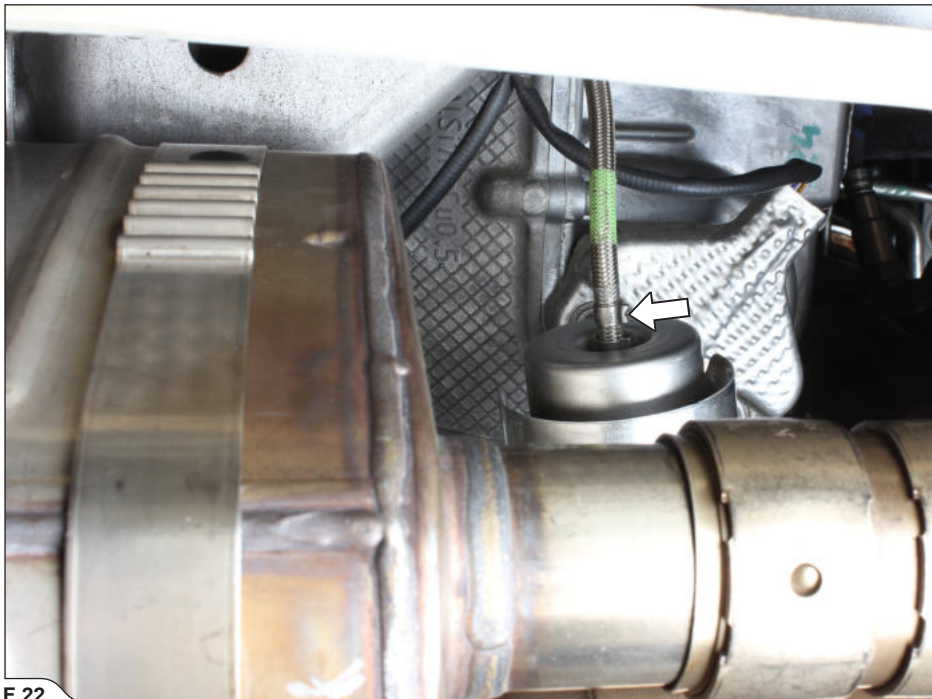
F 20





14. Carefully remove the vacuum hoses off both vacuum actuators (F 22).

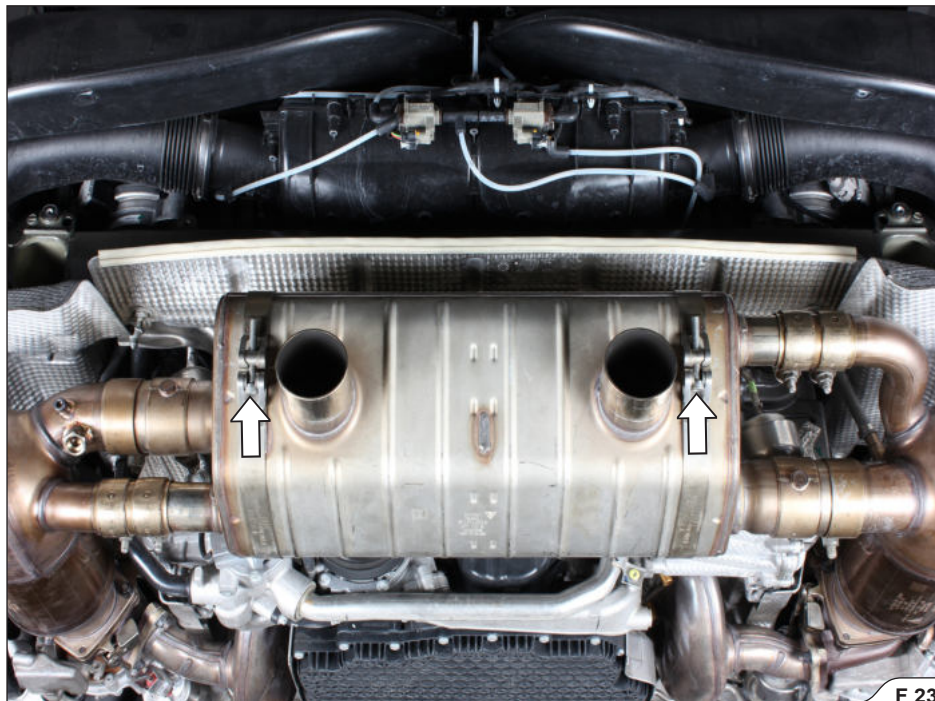
**!** CAUTION: make sure not to injure yourself, or damage any part of the vehicle during this procedure!



F 22

- Support the muffler, completely loosen the marked clamps, slide them off the muffler's bracket and carefully remove the muffler together with link pipes off the vehicle (F 23).

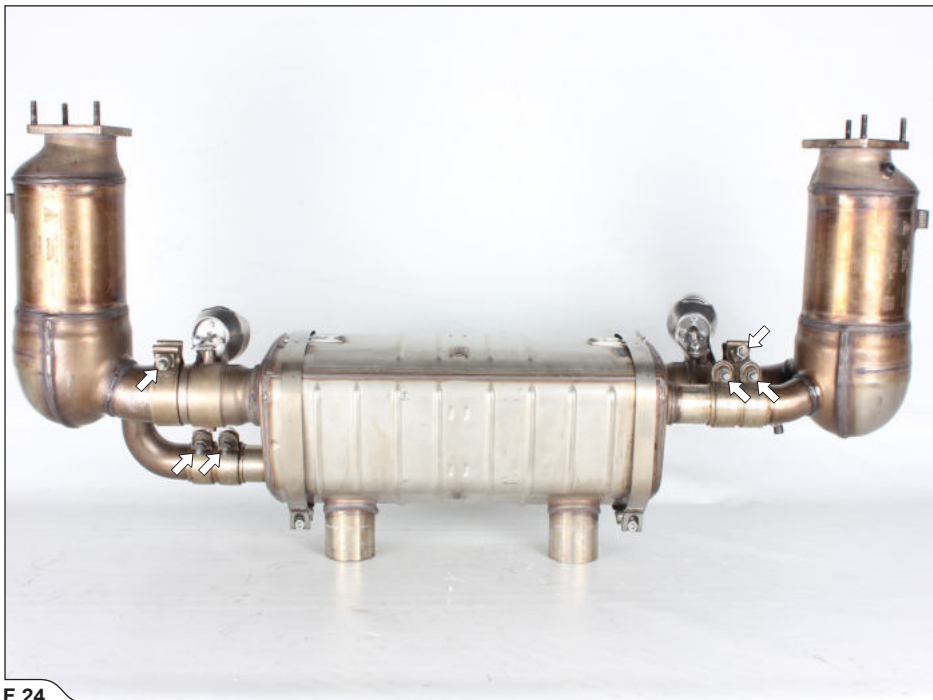
! **CAUTION:** make sure not to injure yourself, or damage any part of the vehicle during this procedure!



F 23

16. Loosen the marked clamps and remove the link pipes off the muffler (F 24).

**!** CAUTION: make sure not to injure yourself, or damage any part of the vehicle during this procedure!



F 24

17. Undo the marked safety pin, unscrew the marked nuts and remove both valve actuators off the muffler (F 25, 26).

**!** **IMPORTANT:** make sure not to damage the actuators during this process!



F 25



F 26

### INSTALLATION OF THE AKRAPOVIČ EXHAUST SYSTEM:

1. Install both stock actuators onto the Akrapovič exhaust valves, using stock washers, nuts and safety pins (F 27, 28, 29, 30).

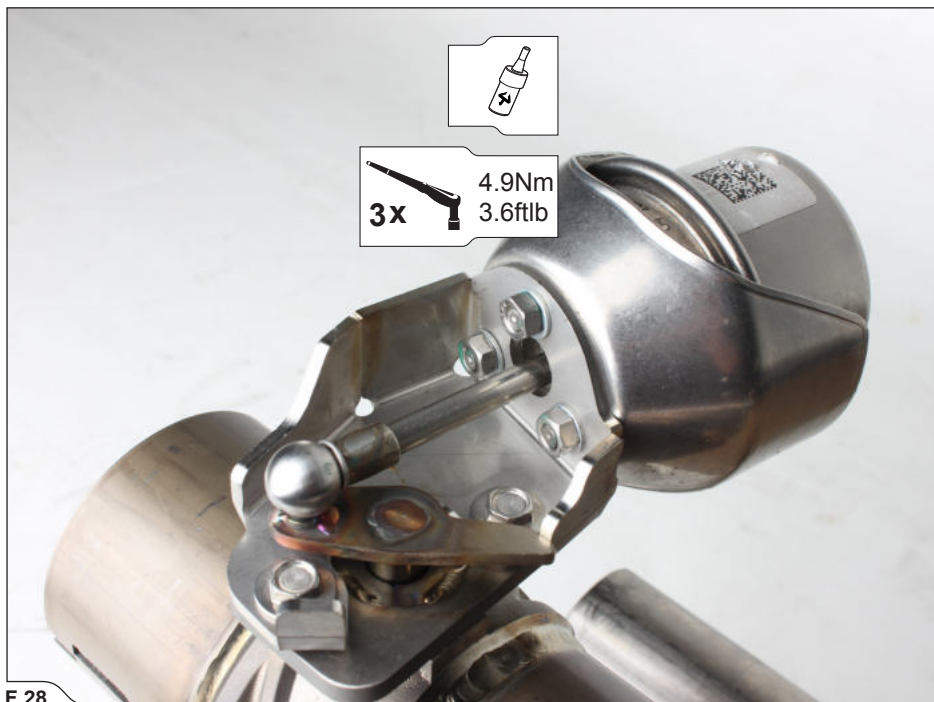
! **CAUTION:** make sure not to injure yourself, damage the valves or actuators during this process!

! **IMPORTANT:** use Akrapovič bolt sealant on all nuts' threads!



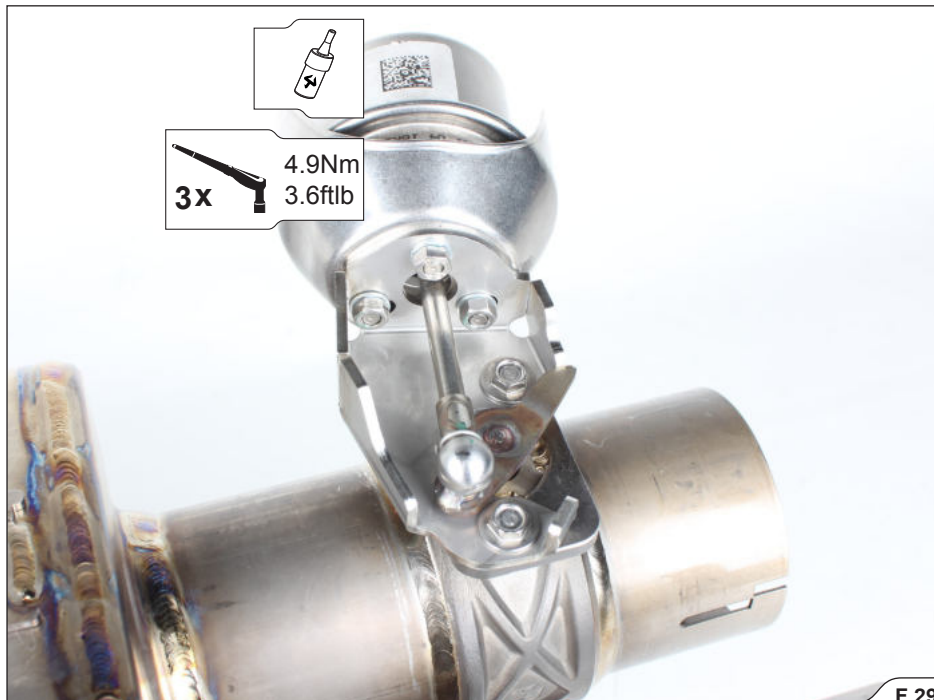
F 27

**!** **IMPORTANT:** before you tighten the actuator's nuts, adjust and align the actuator in such a way, that the movement of the actuator's axle is unrestrained through complete stroke of the exhaust valve!



F 28

**!** **IMPORTANT:** before you tighten the actuator's nuts, adjust and align the actuator in such a way, that the movement of the actuator's axle is unrestrained through complete stroke of the exhaust valve!







F 30

2. Correctly orient the clamps from Akrapovič installation kit and carefully install them onto the muffler's inlets, as shown (F 31, 32).

**!** **IMPORTANT:** make sure, that you orient the clamps correctly!



F 31

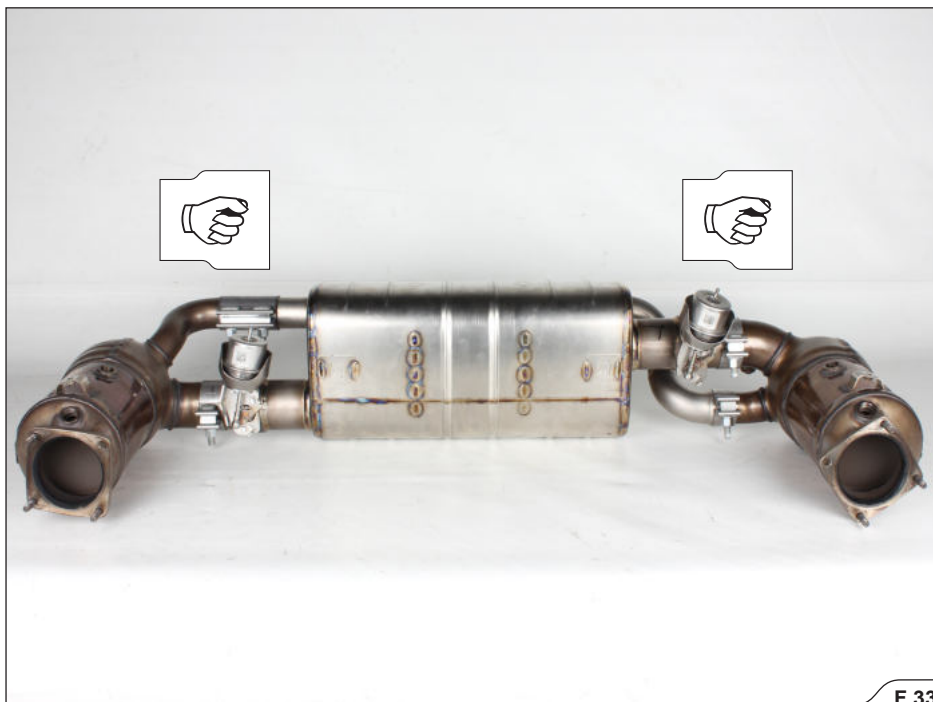


F 32

3. Install stock link pipes onto the Akrapovič muffler, center and adjust the clamps as shown and hand tighten the clamps (F 33).

! **CAUTION:** the double clamp must be adjusted in the middle of the joint!

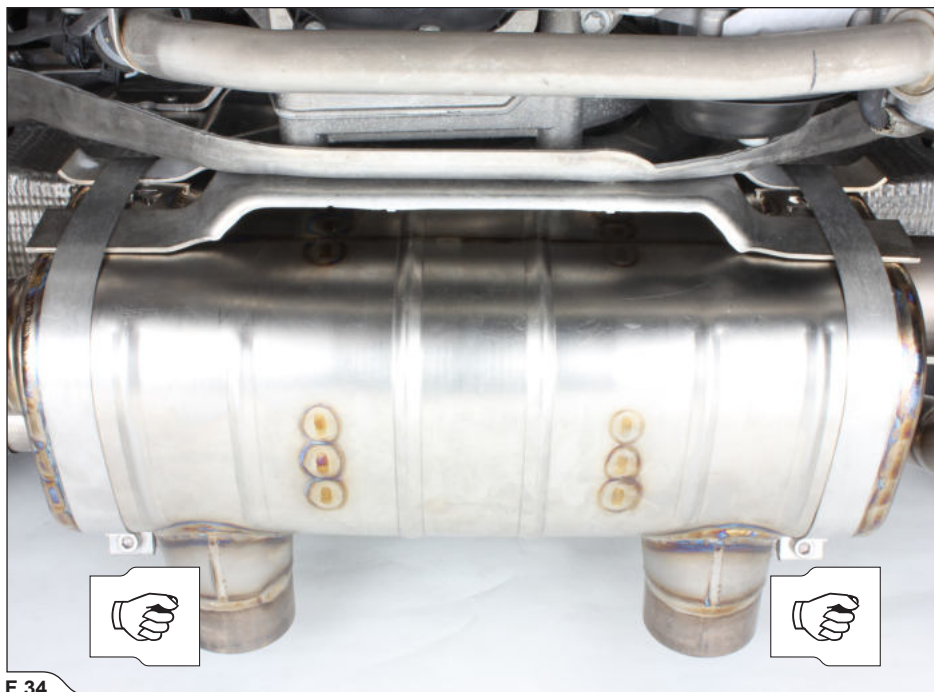
! **IMPORTANT:** do not fully tighten the clamps yet!



F 33

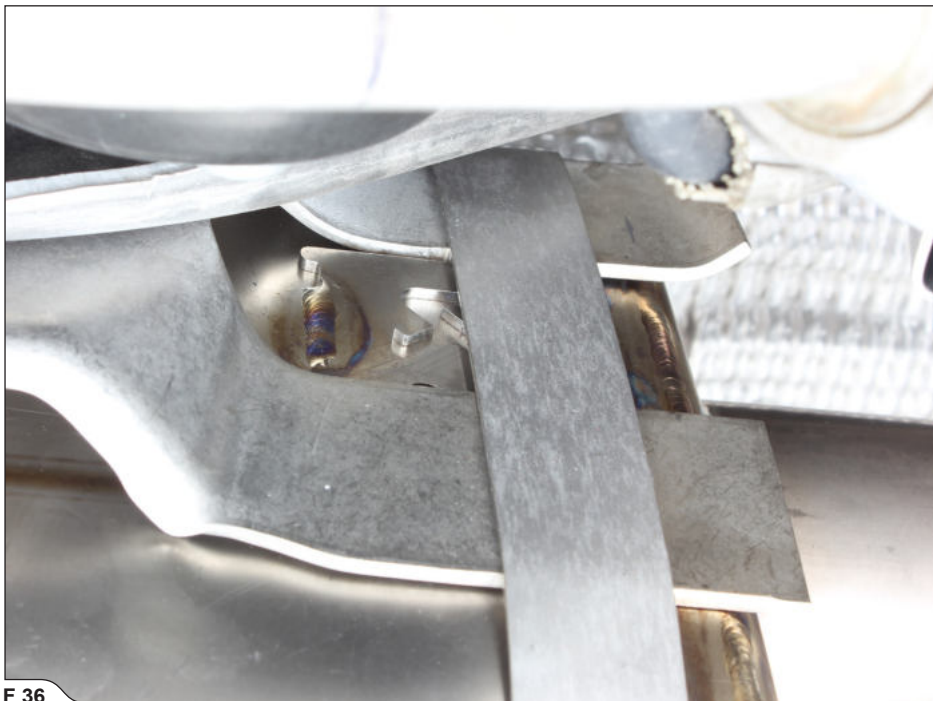
4. Correctly orient the muffler's clamps and carefully slide them onto the muffler, hang the muffler (together with link pipes) onto the bracket, adjust the muffler and muffler's clamps; hand tighten the clamps (F 34, 35, 36).

! **IMPORTANT:** do not fully tighten the clamps yet!



F 34



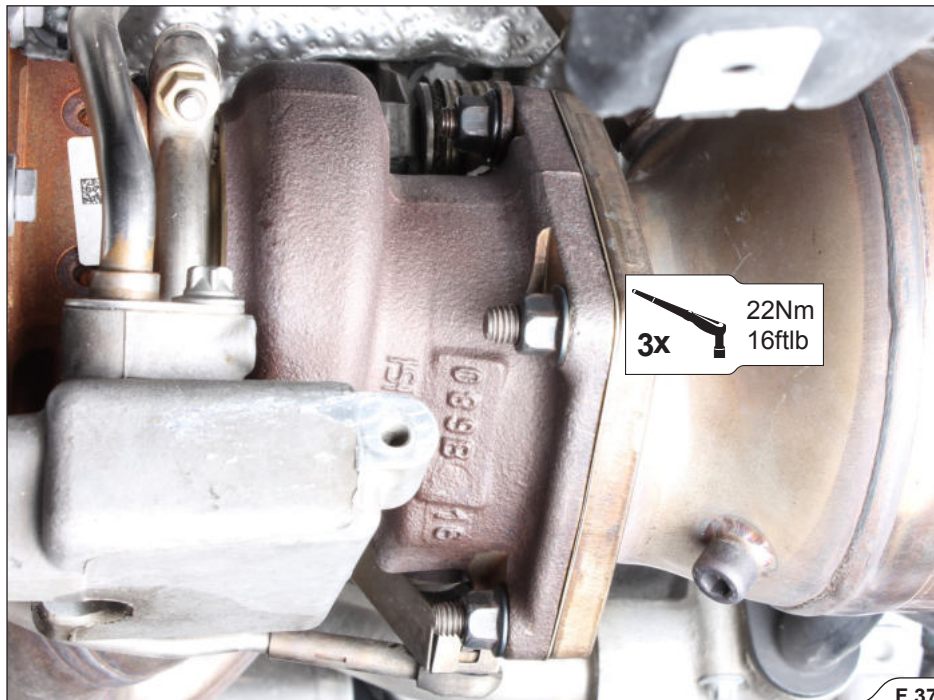


F 36

5. Align the link pipes correctly and tighten them onto the turbochargers, using stock nuts (F 37, 38).

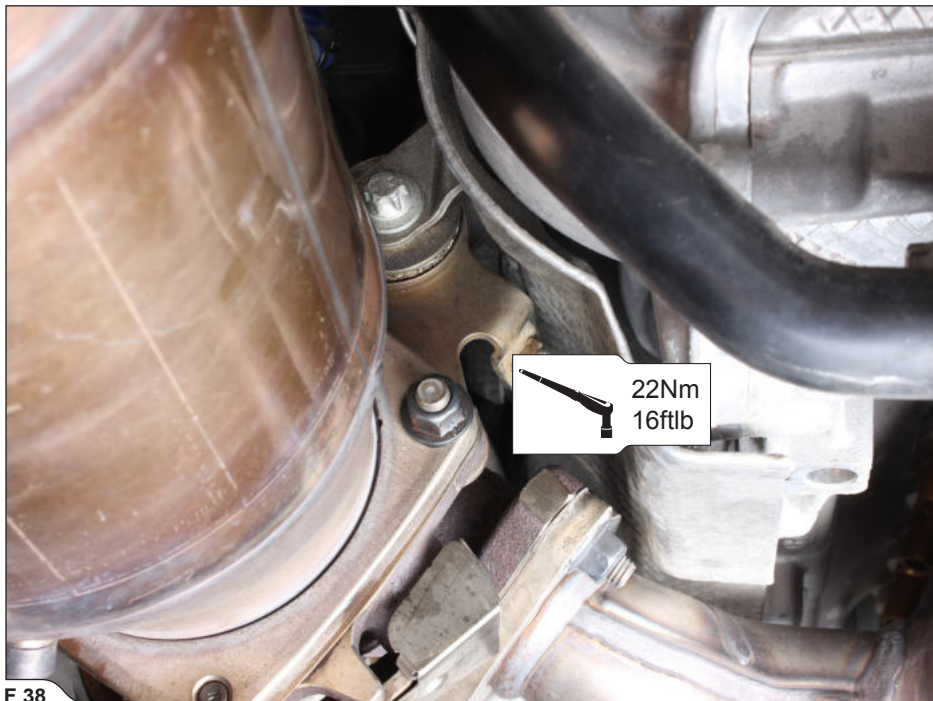
! **IMPORTANT:** we advise, that you use new original gaskets in the turbochargers' joints.

! **CAUTION:** make sure not to injure yourself or damage any part of the vehicle during this process!



F 37

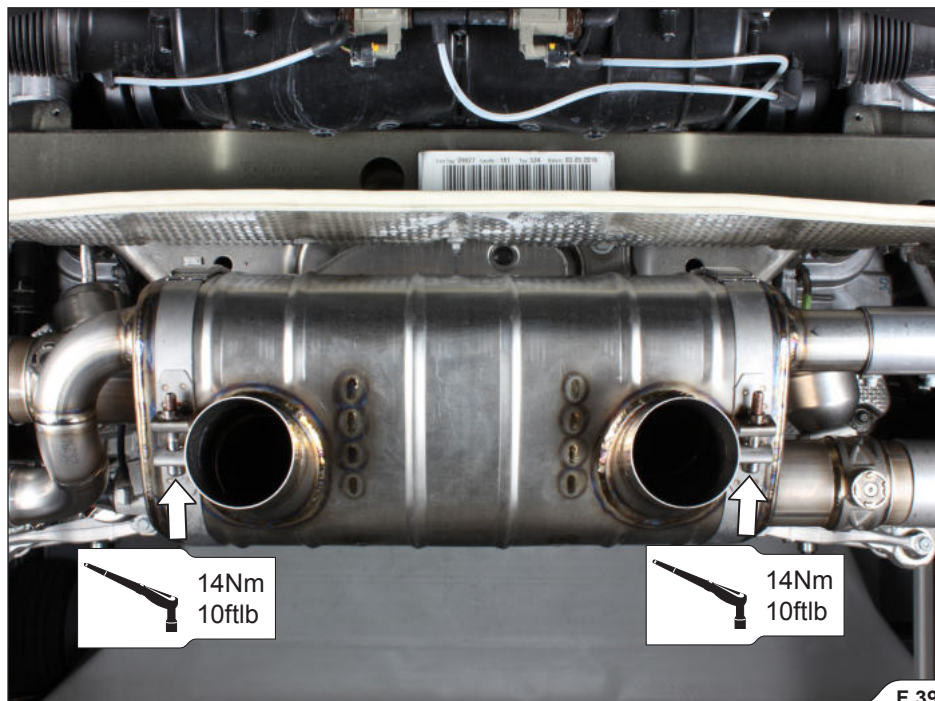


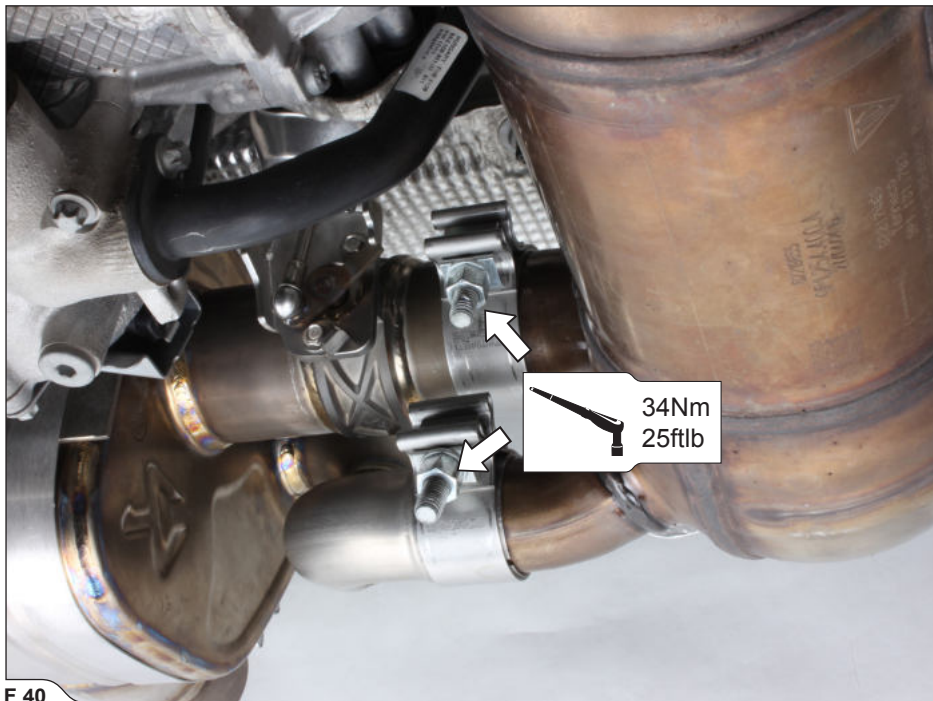


F 38

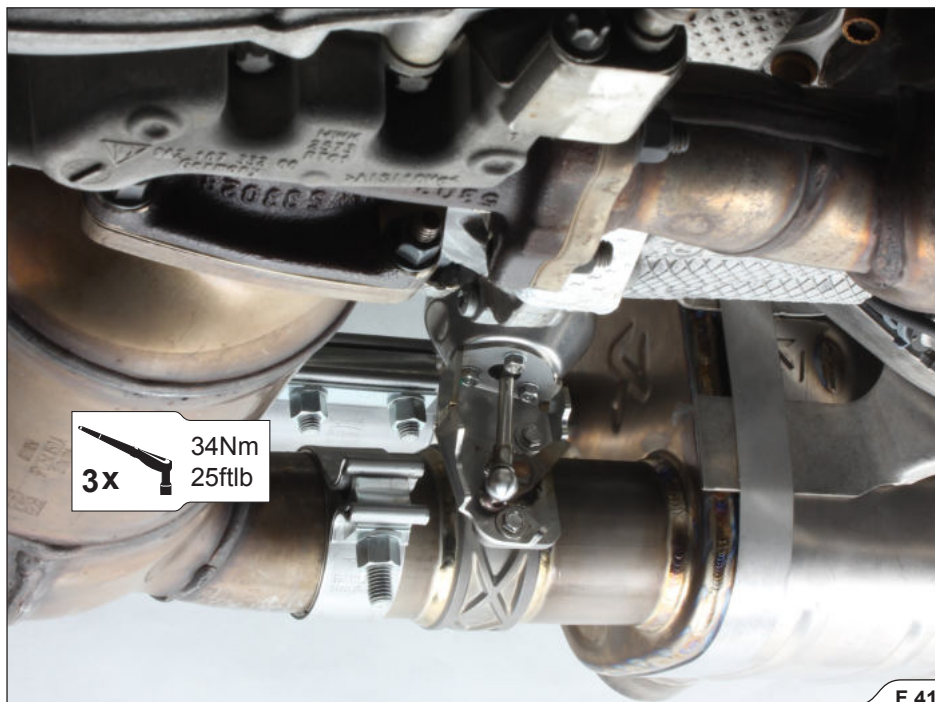
6. Center/align the muffler and tighten all clamps to the specified torque (F 39, 40, 41).

**!** CAUTION: make sure not to injure yourself or damage any part of the vehicle during this process!



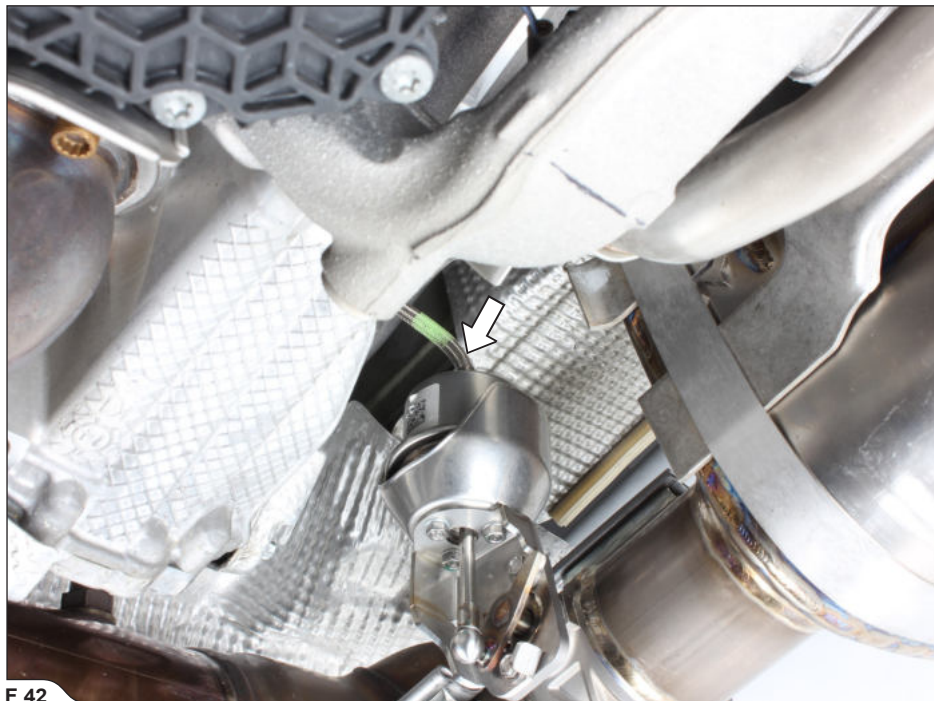


F 40



7. Reinstall and secure the vacuum tubes hoses onto both actuators (F 42).

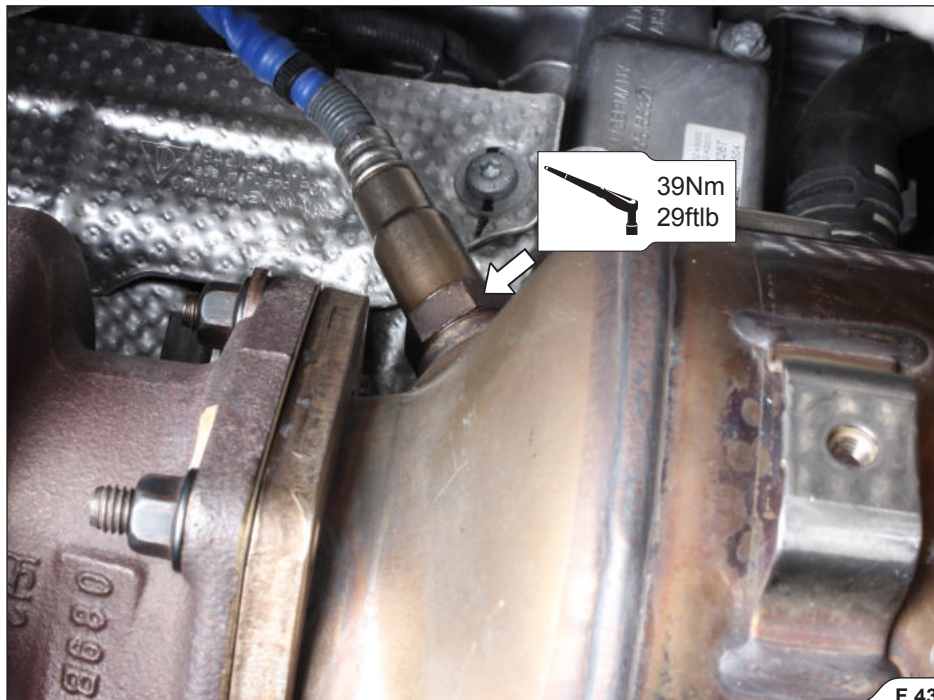
**!** CAUTION: make sure not to injure yourself, or damage any part of the vehicle during this procedure!



F 42

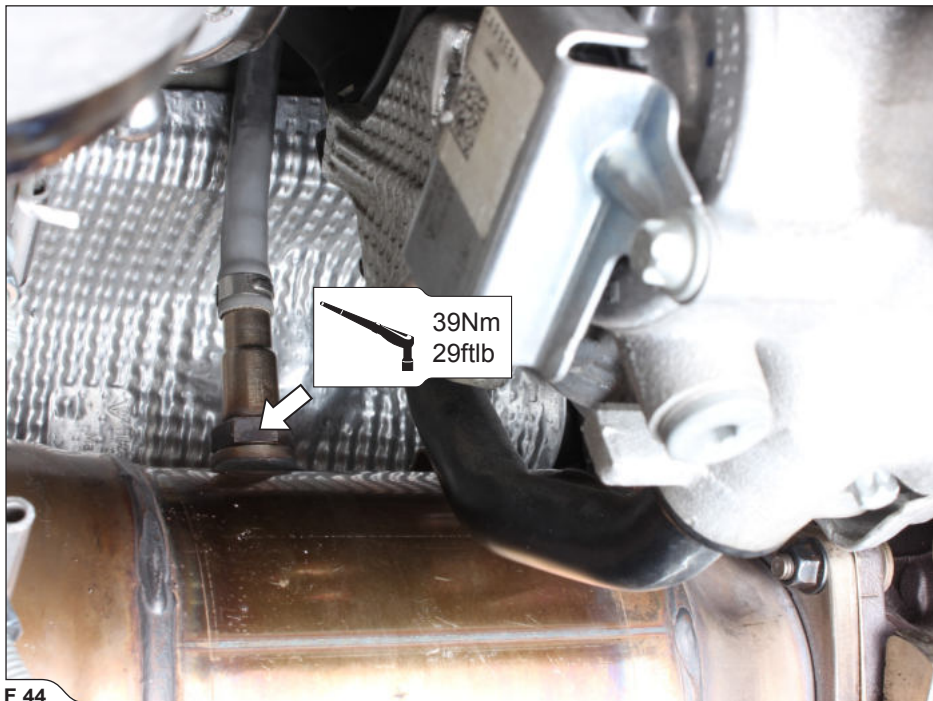
8. Reinstall all four lambda sensors into the link pipes (F 43, 44).

! **CAUTION:** make sure not to injure yourself or damage the lambda sensors during this process!



F 43

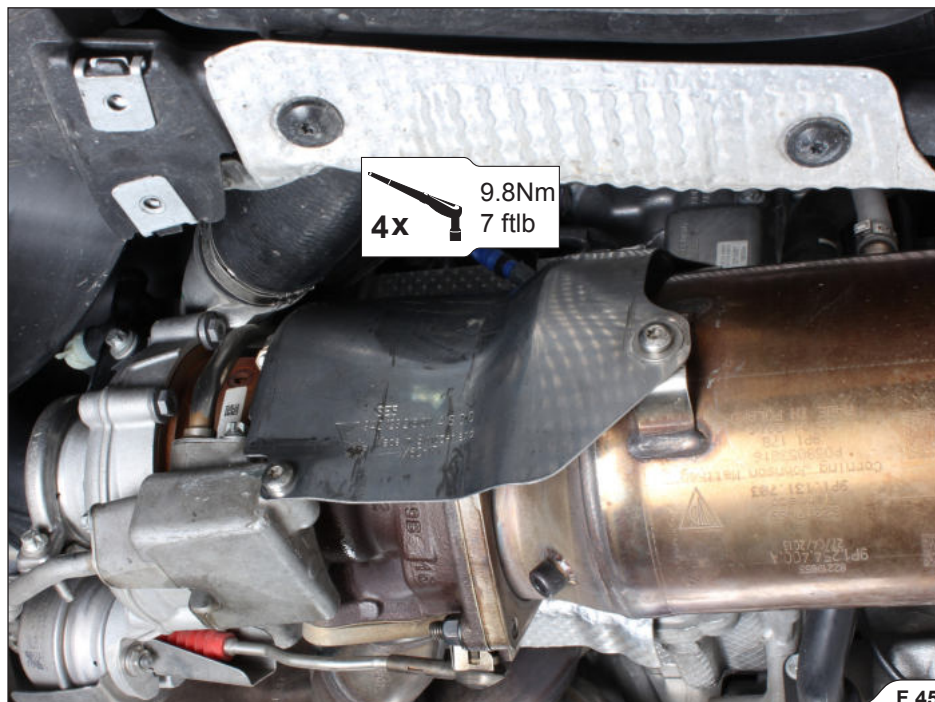




F 44

9. Reinstall the turbo chargers' heat shields on both sides of the engine (F 45).

**!** CAUTION: make sure not to injure yourself or damage the lambda sensors during this process!





10. Orient and assemble the clamps and spherical rings onto the tail pipes, as shown (F 46, 47).
- ! CAUTION: make sure, not to injure yourself or damage the tail pipes during this process!**



F 46



11. Replace the dismantled stock parts (rear bumper, tail lights...) in the reverse order from the order in which they were removed. Check vehicle manufacturer manual for tightening torques
12. Slide the tail-pipes onto the muffler outlets. Adjust, rotate and center them in respect to rear bumper and according to your personal preference; tighten the tail pipes' clamps to the specified torque (F 48, 49, 50).

! **IMPORTANT:** make sure, not to damage tail pipes or any part of the vehicle during this process!



F 48

 **AKRAPOVIČ**

Poručite besplatno uzorak

 AKRAPOVIČ





F 50

## FINAL INSTALLATION:

- ! **IMPORTANT:** reinstall the dismantled or partially removed stock parts (wheel arches, bumper etc.); check vehicle manufacturer manual for tightening torques.
- ! **IMPORTANT:** make sure all the nuts and bolts are sufficiently tightened. In case the exhaust system touches the cowlings or other parts, repeat the adjustment of the exhaust system or contact your authorized dealer.
- ! **IMPORTANT:** clean all exhaust components before the first start of the engine or the stains will burn onto the surfaces!

## MAINTENANCE OF THE AKRAPOVIČ EXHAUST SYSTEM:

1. Clean the titanium exhaust components with a multi-purpose spray lubricant (WD-40<sup>®</sup> or equivalent)\*, carbon fiber exhaust components with soft and dry cloth and stainless steel components with soft cloth sprayed with contact cleaner, then wipe with soft and dry cloth. A change in the color of the exhaust system is normal due to high temperatures.
2. Periodically make sure all the bolts and springs are sufficiently tight.

\*WD-40<sup>®</sup> is a trademark of the WD-40 Company.

 **INSTALLATION TIP: IT IS NORMAL FOR WHITE SMOKE TO COME OUT OF THE MUFFLER AT FIRST OPERATION.**

- ! **CAUTION: DO NOT STAND BEHIND THE MUFFLER AT ANY TIME.**
- ! **CAUTION: DO NOT USE AUTOMOTIVE WHEEL CLEANERS OR ANY CLEANING PRODUCTS WHICH CONTAIN ACIDIC ADDITIVES TO CLEAN THE AKRAPOVIČ EXHAUST SYSTEMS.**

**WARNING: THE EXHAUST SYSTEM CAN BE EXTREMELY HOT. ALLOW THE EXHAUST AND ENGINE TO COOL DOWN BEFORE BEGINNING INSTALLATION OR ANY OTHER WORK ON THE EXHAUST SYSTEM. THIS MANUAL IS SPECIFIC TO THE PORSCHE 911 CARRERA 4S TYPE 991.2. THERE MAY BE SOME DIFFERENCES IN INSTALLATION PROCEDURES FOR OTHER MODELS.**

## TROUBLESHOOTING:

Problem	Possible cause	Solution
Exhaust gas leaks out of the muffler/pipe clamp connections	loosened clamp	tighten the clamp to specified torque
	connection is not completely joined	tap the connection into place and tighten the clamp to specified torque

[www.akrapovic.com](http://www.akrapovic.com)

