



Installation instructions

Akrapovič Exhaust Systems:
Slip-On and **Evolution**
for the
NISSAN 370Z



Installation instructions

Akrapovič Exhaust Systems:
Slip-On and **Evolution**
for the
NISSAN 370Z

Congratulations on purchasing an Akrapovič exhaust system. Please read the entire installation manual prior to undertaking any activities related to installation of your new Akrapovič exhaust system. In case you do not fully understand the manual or any of its parts, please contact your authorized dealer!

This product should be installed by someone with sufficient knowledge of exhaust systems and their installation, and appropriate hand or power tools. If you are not qualified for this work, please utilize a certified mechanic for installation. By installing Your Akrapovič exhaust system, you indicate that you have read the installation manual in its entirety and you agree with the terms stated herein.

It is your responsibility to follow all installation instruction guidelines supplied with the Akrapovič exhaust system and undertake all necessary safety precautions. Akrapovič d.d. assumes no responsibility for damages occurring from misuse, abuse, improper installation, improper operation, lack of responsible care, or all previously stated reasons resulting from incompatibility with other manufacturer's products and/or systems.

IMPORTANT INFORMATION

Exclusion of Certain Liability

1. The manufacturer, importer or dealer shall not be liable for any incidental damage including personal injury or any other damages caused by improper installation or operation of the Akrapovič exhaust system. When installing the Akrapovič exhaust system be careful that the exhaust system does not touch other parts sensitive to high temperature.
2. Akrapovič makes no representation or warranties with regard to damage caused by the improper installation, use and maintenance of the Akrapovič exhaust system. The warranty is limited to defects recognized by our technical department and due to normal use, and excludes items subject to normal wear (gaskets and damping wool). The guarantee is void in case of accident, modification, improper or competition use.
3. Do not attempt to install the Akrapovič exhaust system on a vehicle model for which it was not made or tested by Akrapovič.
4. When the exhaust system gets very hot during operation, be careful not to burn yourself on the exhaust system or parts which are in direct contact with it, even when the engine is not running. Also protect other people, especially children, from the injuries mentioned above.

1. In some cases Akrapovič exhaust system kits contain chemical products (ceramic anti-seizing grease; bolt sealant). Handle with care, do not inhale or swallow. Avoid excessive contact with skin, eyes or mucous membranes. Keep out of reach of children.
2. Technical specifications of Akrapovič exhaust systems and related products are subject to change without notice.
3. Before removing the original exhaust system from your vehicle, please compare the parts you received with the list of materials provided in the installation manual in order to assure that you have all the parts necessary for the installation of your new Akrapovič exhaust system.
4. Although this manual consists of instructions for installation in written form, as well as photographs and pictures representing individual steps of the installation, please note that the photographs and pictures are symbolic and are intended for representation of general overview only. The photographs and pictures contained herein should serve as a guideline only and actual installation of the exhaust system may not correspond with the photographs and pictures entirely.
5. The process of uninstalling the original exhaust system may vary depending on the existing exhaust system. Please follow the original exhaust system manufacturer's instructions for uninstalling the original exhaust system.

Trademarks

The Akrapovič Exhaust System Technology logo is a registered trademark of Akrapovič d.d.

Akrapovič website

Information about Akrapovič exhaust systems and related products is available on the Akrapovič website at:

<http://www.akrapovic.com/>

Copyright

No part of the Akrapovič exhaust system or its documentation may be reproduced or distributed in any form or by any means without the prior written authorization of the Akrapovič company.

© Akrapovič, d.d. All rights reserved.

Symbols

The following symbols are used throughout these installation instructions:



TOOLS REQUIRED



TIGHTENING TORQUE



INSTALLATION TIP



CAUTION OR WARNING



USE BOLT SEALANT; Apply 3 to 4 small drops of bolt sealant onto the cleaned and degreased threads before tightening the bolts. **WARNING! Avoid contact with skin, eyes and mucous membranes. Do not inhale fumes. Keep out of the reach of children.**



USE ANTI-SEIZE LEAD-FREE COPPER PASTE (black tube); Provides trouble-free and long-lasting protection against seizing, corrosion and rusting of bolts, threaded ends, nuts, joints, etc. Also protects against vibration, wear and impact. **WARNING! Avoid eye contact. Avoid excessive skin contact. Keep out of reach of children.**



USE ANTI-SEIZING GREASE (white tube); Prevents seizing, corrosion and excessive wear between the titanium components of your exhaust system. **WARNING! Avoid eye contact. Avoid excessive skin contact. Keep out of reach of children.**



T-handle 14mm wrench
T-handle 15mm wrench
T-handle swivelling 12mm wrench
T-handle swivelling 13mm wrench
Combination 14mm wrench
Combination 15mm wrench
Rubber mallet



BEFORE INSTALLING, CHECK THE SCHEMATIC OF THE EXHAUST SYSTEM!



IF ANY ITEMS IN THE AKRAPOVIČ EXHAUST SYSTEM PACKAGE ARE MISSING, PLEASE CONTACT YOUR AUTHORIZED DEALER. KEEP THE SCHEMATIC FOR FUTURE REFERENCE.



THESE INSTALLATION INSTRUCTIONS MUST BE READ CAREFULLY IN ORDER TO ENSURE PROPER INSTALLATION AND OPERATION OF THE AKRAPOVIČ EXHAUST SYSTEM.



THE EXHAUST SYSTEM CAN BE EXTREMELY HOT. ALLOW THE EXHAUST AND ENGINE TO COOL DOWN BEFORE BEGINNING INSTALLATION.



WE ADVISE YOU TO LEAVE INSTALLATION TO A QUALIFIED SERVICEMAN. IMPROPER INSTALLATION MAY RESULT IN A SHORTER LIFETIME OF THE EXHAUST SYSTEM AND/OR DAMAGE TO THE VEHICLE.

REMOVAL OF STOCK EXHAUST SYSTEM:

Put the vehicle onto a car lift.

! **WARNING:** make sure, that car lifting is safely and correctly done or you risk vehicle damage, injury or even death!

1. For Slip-On and Evolution: unscrew the marked nuts (Figure 1).



Figure 1

2. **For Slip-On and Evolution:** pull the muffler off the marked rubber brackets and remove it off the vehicle (**Figure 2**).

! **WARNING:** make sure, that you support the muffler during this process or you could injure yourself or damage the vehicle!

✂ **INSTALLATION TIP:** for easier dismounting, lubricate the stock rubber brackets.

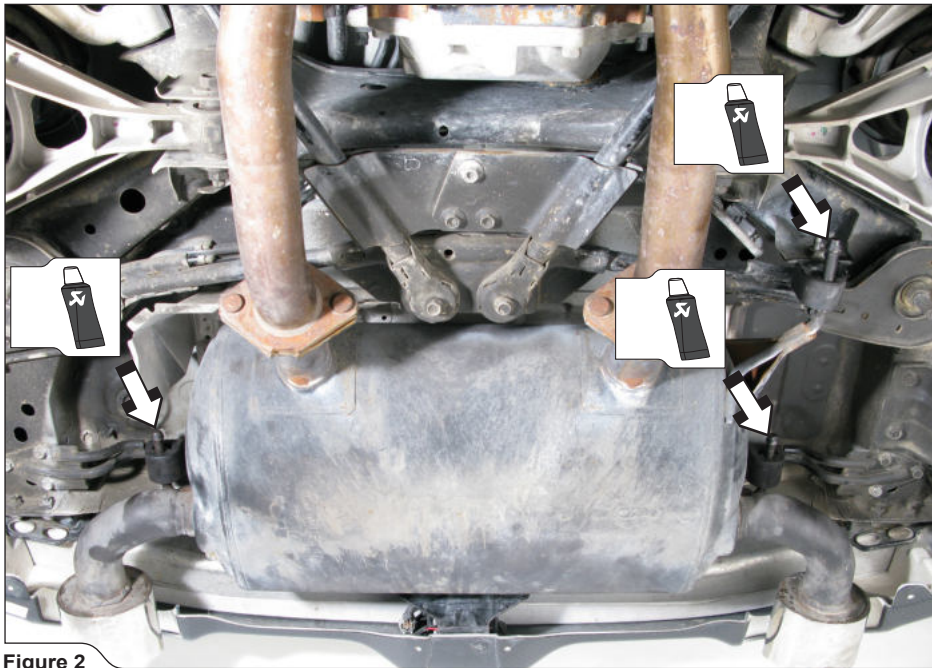


Figure 2

3. **For Evolution only:** unscrew the marked middle pipes' nuts (**Figure 3**).

! **WARNING:** make sure, that you support the middle pipes during this process or you could injure yourself or damage the vehicle!

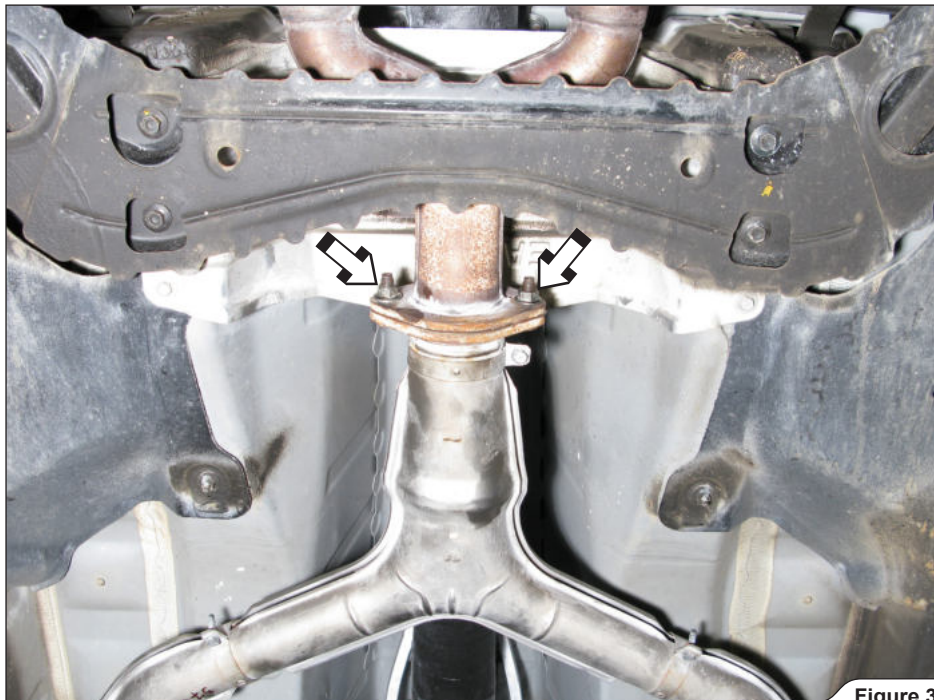


Figure 3

4. **For Evolution only:** pull the middle pipes off the marked rubber brackets and remove them off the vehicle (**Figure 4**).

! **WARNING:** make sure, that you support the middle pipes during this process or you could injure yourself or damage the vehicle!

✂ **INSTALLATION TIP:** for easier dismounting, lubricate the stock rubber brackets.

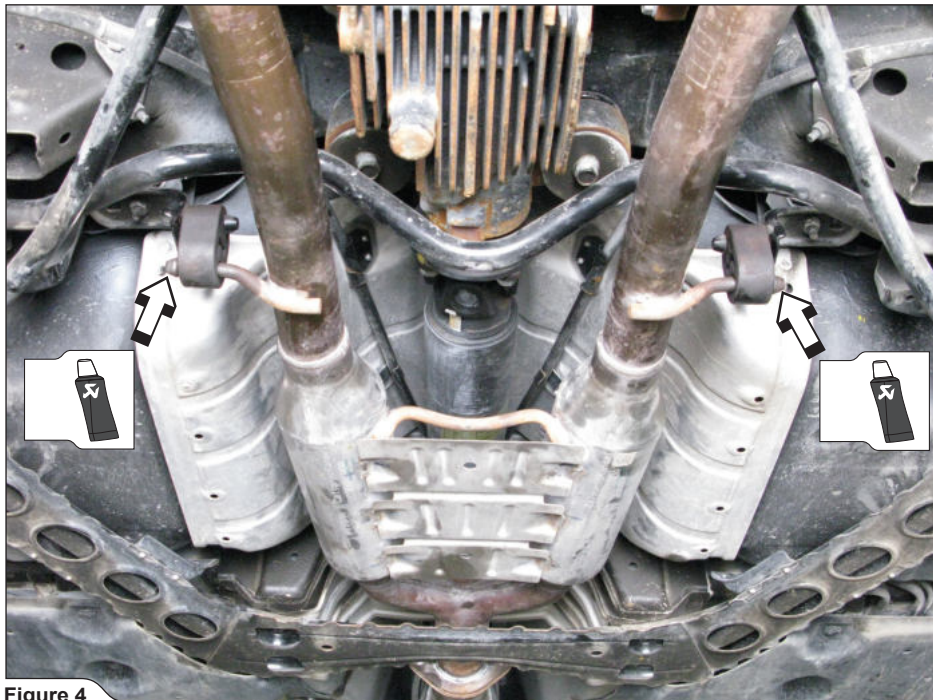


Figure 4

5. **For Evolution only:** unscrew the marked nuts and remove the front pipes off the vehicle (**Figure 5**).

! **WARNING:** make sure, that you support the front pipes during this process or you could injure yourself or damage the vehicle!

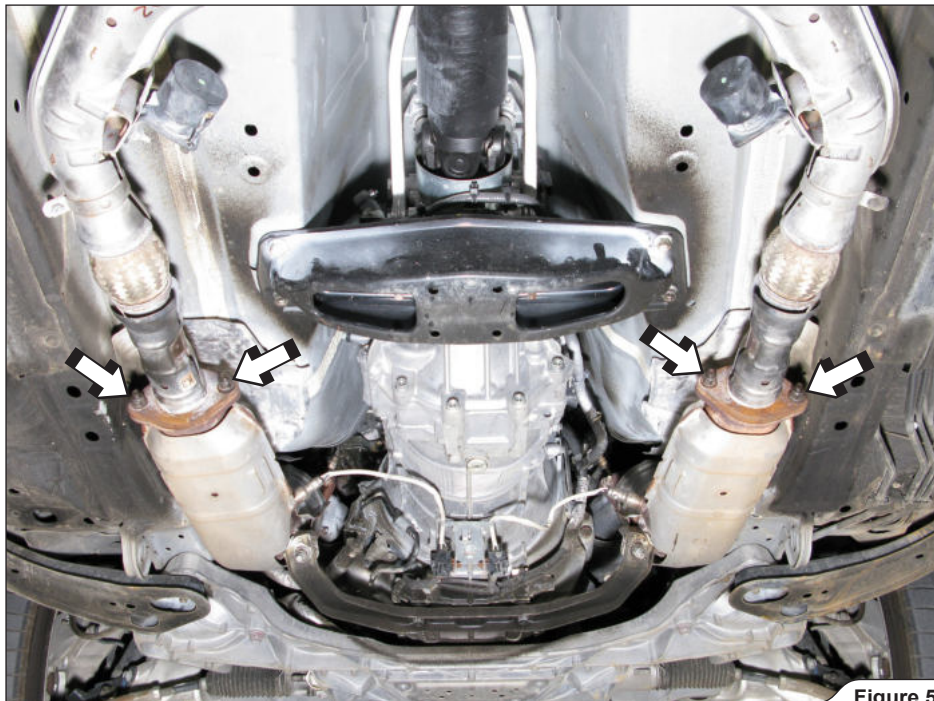


Figure 5

6. **For Evolution only:** for easier assembly of the Evolution exhaust system, unscrew the marked bolts and shift the chassis reinforcement out of the way (**Figure 6**).

! **WARNING:** make sure, that you don't damage any part of the vehicle during this process!



Figure 6

INSTALLATION OF THE AKRAPOVIČ EXHAUST SYSTEMS:

1. **For Evolution only:** assemble Akrapović front tubes onto the vehicle separately, as shown (Figure 7).
- !** **WARNING:** make sure, that you don't damage any part of the vehicle or exhaust!

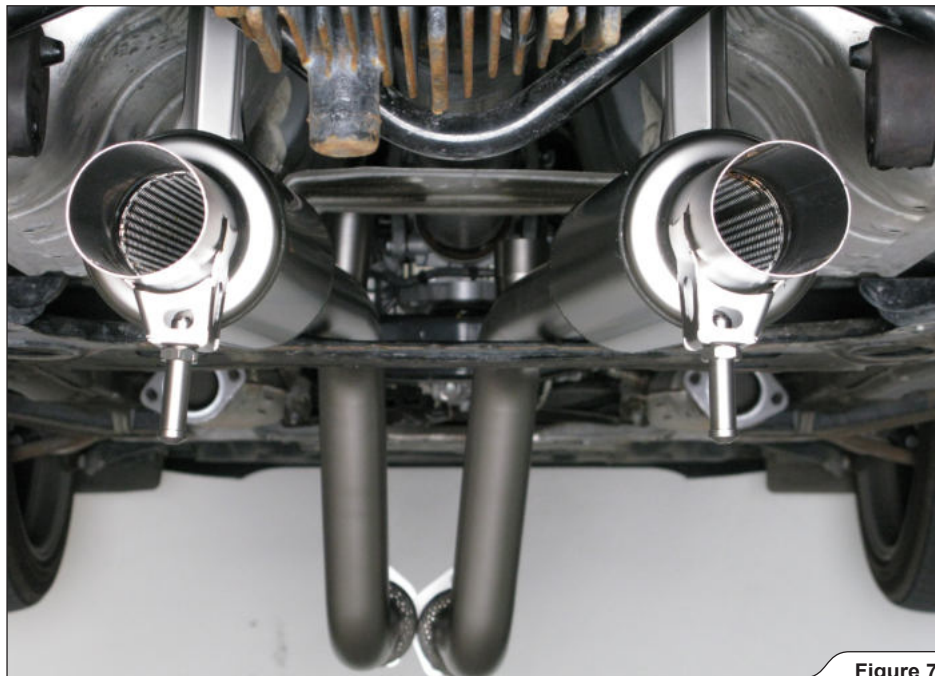


Figure 7

2. **For Evolution only:** join the interference crossover tubes and hang the front tubes on stock rubber brackets as shown (Figure 8).

✂ **INSTALLATION TIP:** for easier mounting, lubricate the crossover tubes joint and stock rubber brackets.

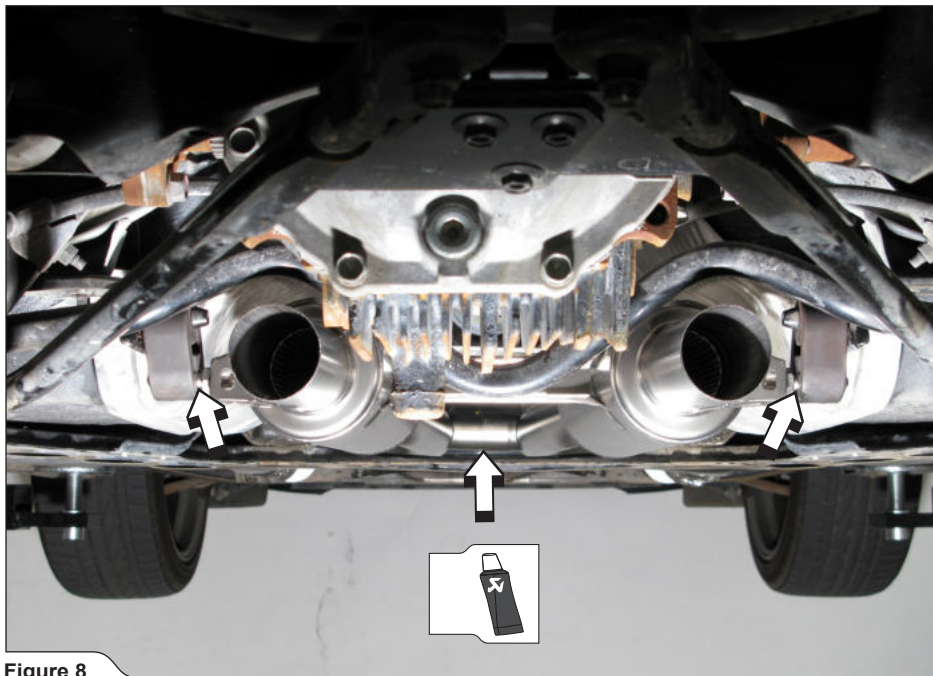


Figure 8

3. **For Evolution only:** attach the front pipes onto the stock header pipes using stock nuts (Figure 9).

! **CAUTION:** use exhaust gaskets from Akrapovič installation kit in front pipes - stock header pipes joints!

! **WARNING:** use anti-seize copper paste on all nut threads!

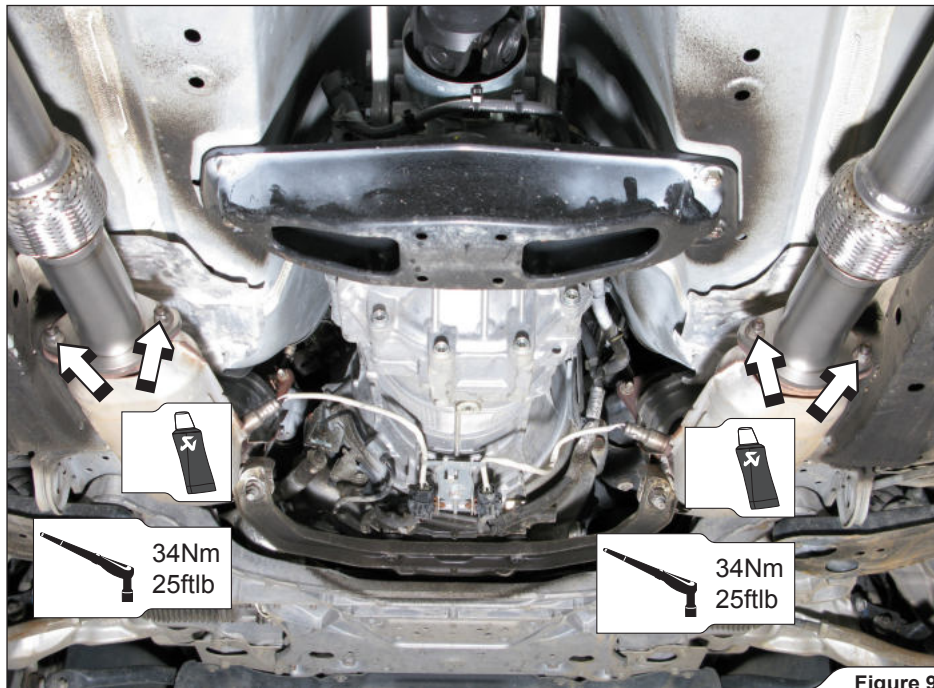


Figure 9

4. **For Evolution only:** tighten to a specified torque all the chassis reinforcement bolts (**Figure 10**).

! **WARNING:** use anti-seize copper paste on all bolt threads!

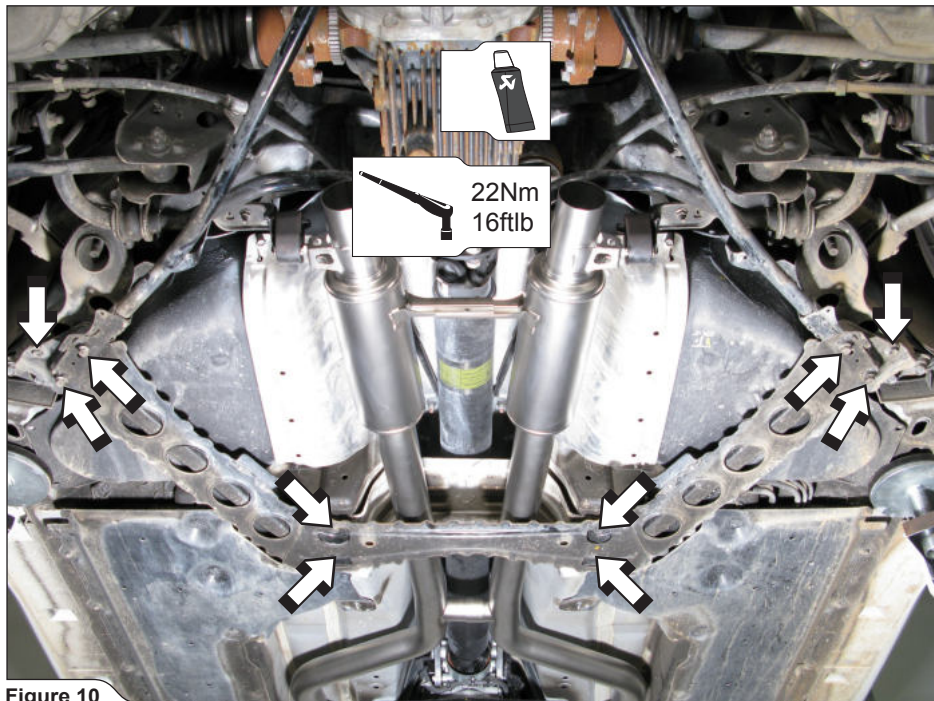


Figure 10

5. **For Evolution only:** attach the middle pipes onto the front pipes, using Akrapovič double clamps - do not fully tighten the clamps yet (**Figure 11**).

! **CAUTION:** make sure, that clamps are positioned at the middle of the pipes' joints.



Figure 11

6. **For Evolution only:** align the middle pipes, tighten the double clamps to a specified torque and screw the front pipes' linkage, using bolt and nut from Akrapovič installation kit (**Figure 12**).

! **CAUTION:** make sure, that clamps are positioned at the middle of the pipes' joints.

! **WARNING:** use anti-seize copper paste on all nut and bolt threads!

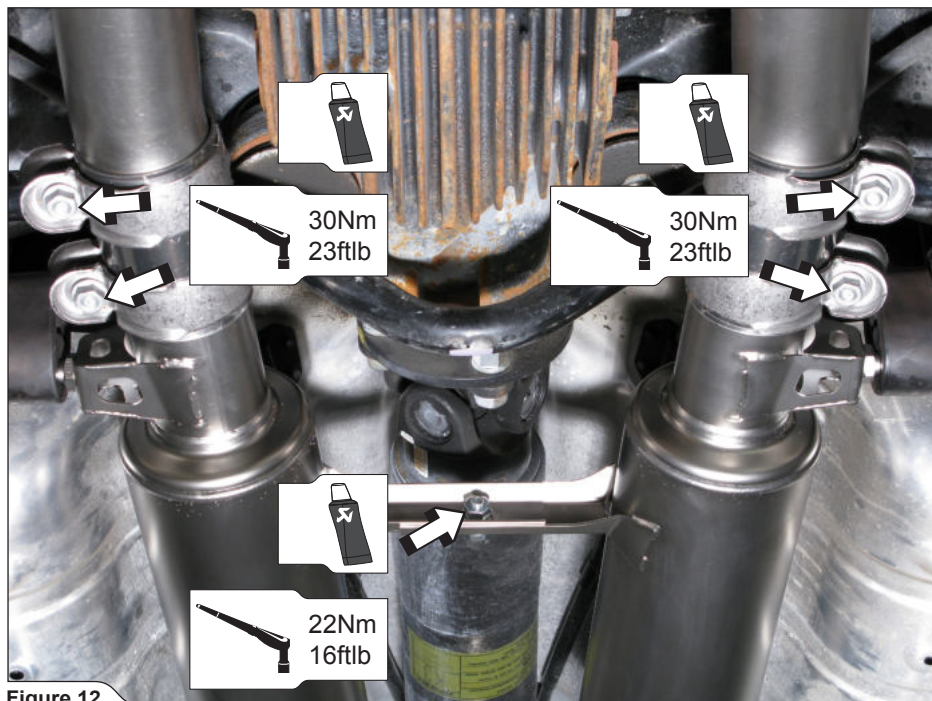


Figure 12

7. **For Evolution only:** hang the muffler on stock rubber brackets, use Akrapovič exhaust gaskets, bolts and nuts to join middle pipes and muffler inlet pipes (**Figure 13**).

✂ INSTALLATION TIP: for easier mounting, lubricate the stock rubber brackets.

! CAUTION: use exhaust gaskets from Akrapovič installation kit in middle pipes - muffler inlet pipes joints!

! WARNING: use anti-seize copper paste on all nut and bolt threads!

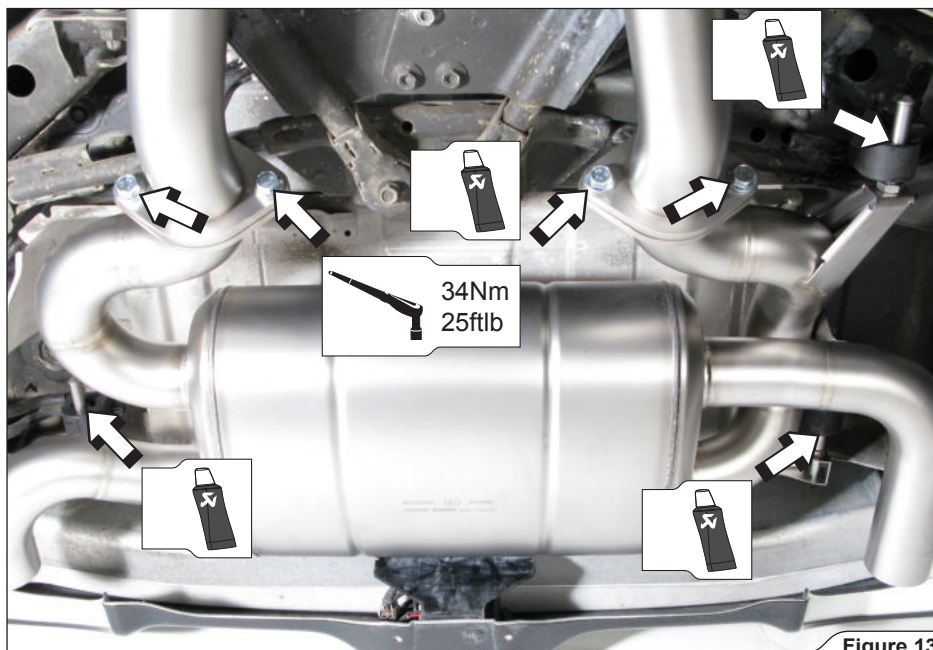


Figure 13

8. **For Slip-On only:** hang the muffler on stock rubber brackets, use Akrapovič exhaust gaskets in stock front pipes - Akrapovič muffler inlet pipes joints (**Figure 14**).

✚ INSTALLATION TIP: for easier mounting, lubricate the stock rubber brackets.

! **CAUTION:** use exhaust gaskets from Akrapovič installation kit in stock front pipes - Akrapovič muffler inlet pipes joints!

! **WARNING:** use anti-seize copper paste on all nut and bolt threads!

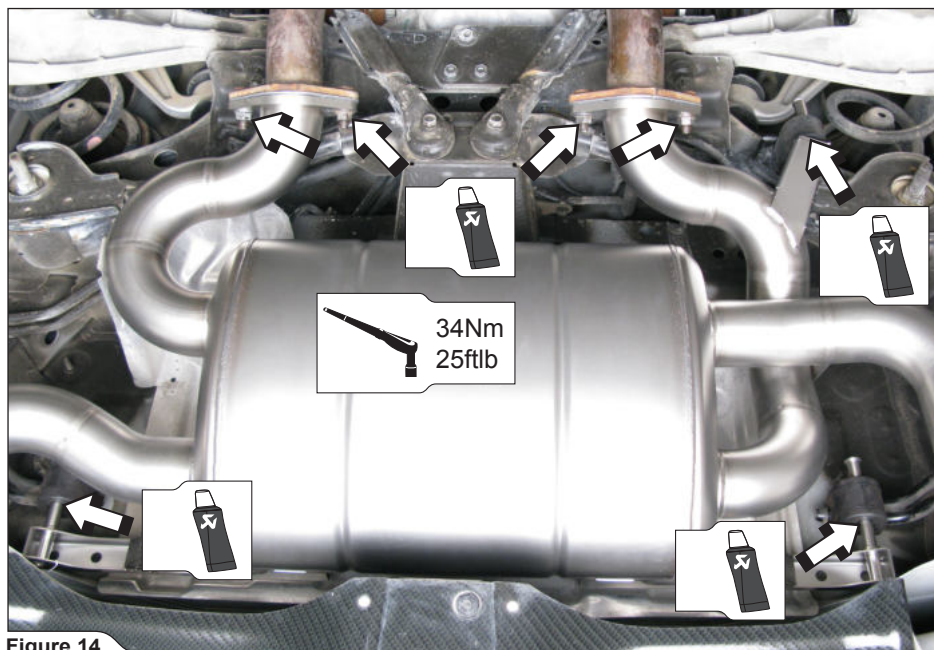


Figure 14

9. **For Slip-On and Evolution:** assemble the clamps and spherical rings onto the tail pipes as shown (Figure 15).

! **WARNING:** use anti-seize copper paste on clamp bolt threads!



Figure 15

10. **For Slip-On and Evolution:** slide the tail-pipes onto the muffler outlets. Rotate and center them in respect to rear bumper as shown (**Figure 16, 17, 18**).



Figure 16

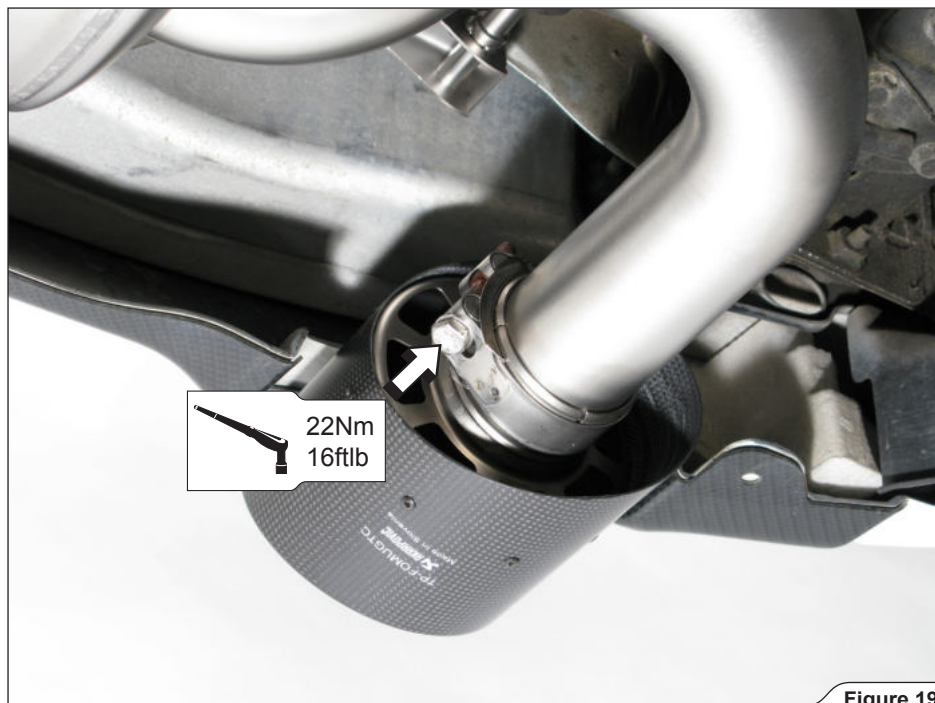


Figure 17



Figure 18

11. **For Slip-On and Evolution:** tighten the tail pipe clamps to a specified torque (**Figure 19**).



Final installation:

- ! **WARNING: check vehicle manufacturer manual for tightening torques (for dismounted stock parts)!**
- ! **WARNING: make sure all the nuts and bolts are sufficiently tightened. In case the exhaust system touches the cowl or other parts, repeat the adjustment of the exhaust system or contact your authorized dealer.**

MAINTENANCE OF THE AKRAPOVIČ EXHAUST SYSTEM:

1. Clean the titanium exhaust components with a multi-purpose spray lubricant (WD-40 or equivalent), carbon fiber exhaust components with soft and dry cloth and stainless steel components with soft cloth sprayed with contact cleaner, then wipe with soft and dry cloth. A change in the color of the exhaust system is normal due to high temperatures.
2. Periodically make sure all the bolts and springs are sufficiently tight.

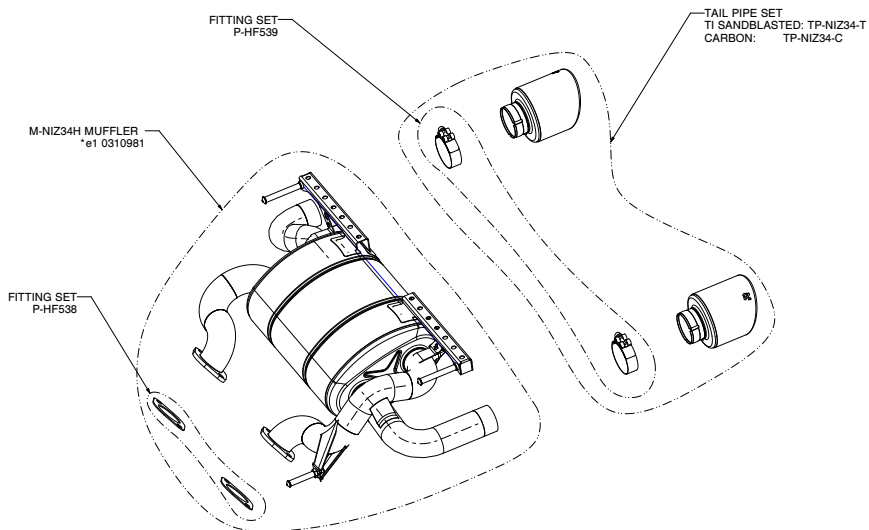
! **WARNING: clean all exhaust components before the first start of the engine or the stains will burn onto the surfaces!**

! **IT IS NORMAL IF WHITE SMOKE COMES OUT OF THE MUFFLER ON FIRST OPERATION.**

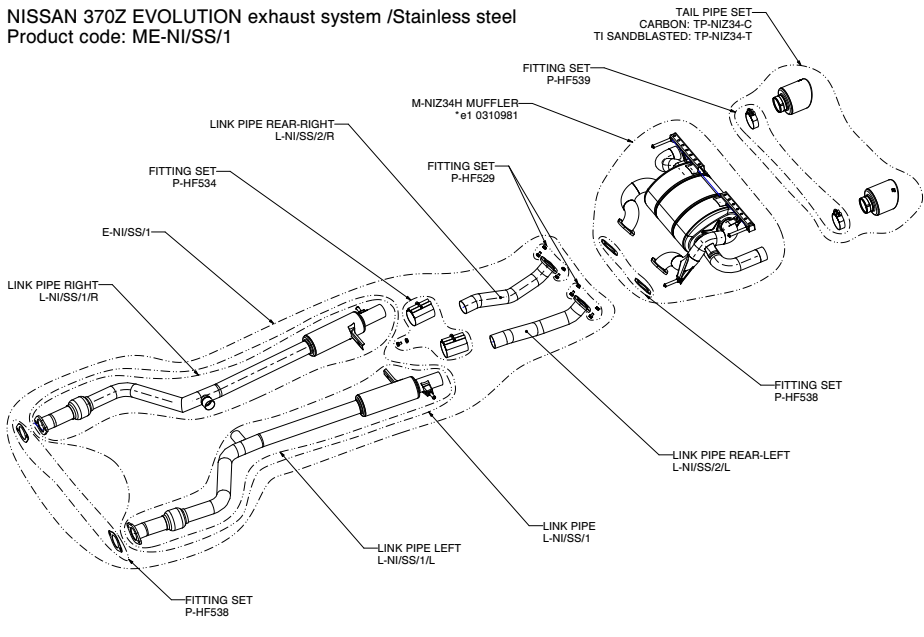
! **DO NOT STAND BEHIND THE MUFFLER ON FIRST OPERATION.**

! **DO NOT USE AUTOMOTIVE WHEEL CLEANERS OR ANY CLEANING PRODUCTS WHICH CONTAIN ACIDIC ADDITIVES TO CLEAN AKRAPOVIČ EXHAUST SYSTEMS.**

NISSAN 370Z Slip-on exhaust system /Stainless steel/ Street legal



NISSAN 370Z EVOLUTION exhaust system /Stainless steel
Product code: ME-NI/SS/1



www.akrapovic.com



502702