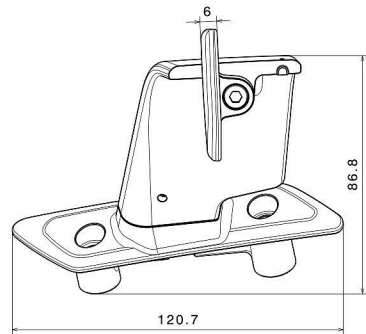
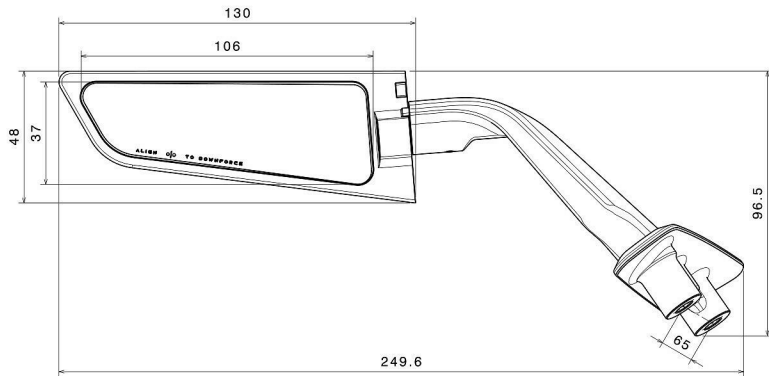
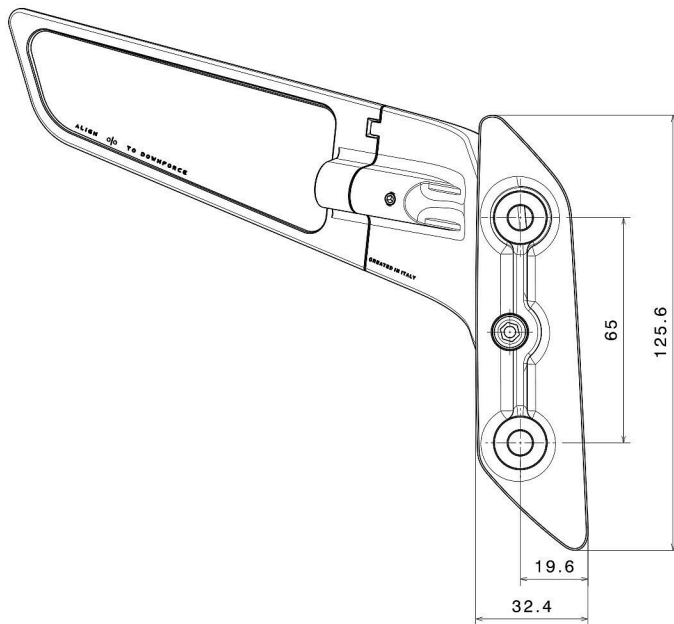


BSS100



Attention: the drawing represents the left side mirror. The right side mirror is symmetrical to the left.

BSS100



Attention: the drawing represents the left side mirror. The right side mirror is symmetrical to the left.