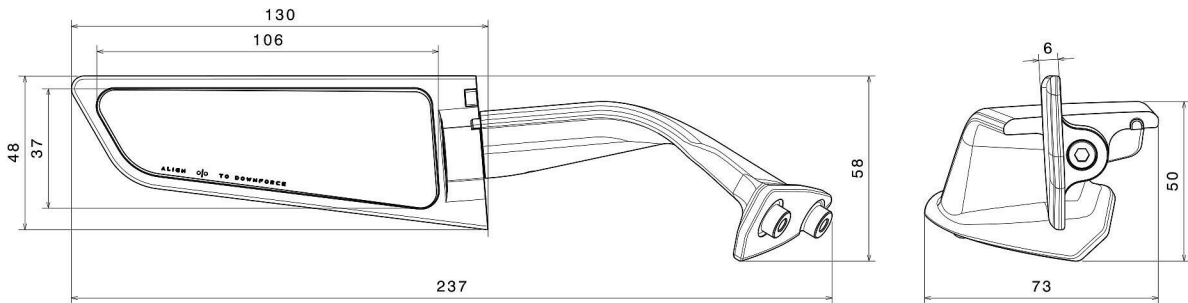


BSS041



Attention: in the drawing is represented the left side. The right side is symmetrical to the left side.