

Note!

Before installing this product, check the contents of the kit. If anything is missing, please contact an Öhlins dealer.

Kit Contents

Description	Part No	Pcs
Shock absorber	YA 967	1
Bracket	60208-01	1
Bracket reservoir	03102-15	1
Screw M6x12	05404-01	2
Screw M6x14	00382-16	1
Sticker set Öhlins	10207-01	1
C-Spanner	60710-02	1
Owners manual	07241-02	1

Note!

Please note that this image is a general representation of the product and may differ slightly from your product.

Note!

Please note that during storage and transportation, especially at high ambient temperature, some of the oil and grease used for assembling may leak and stain the packaging. This is in no way detrimental to the product, wipe off the excessive oil/grease with a cloth.

Warning!

Before installing this product, read the Öhlins Owner's Manual. The shock absorber is an important part of your vehicle and will affect the stability.

Shock Absorber for YAMAHA R25/R3

YA 967

Mounting Instructions



MOUNTING INSTRUCTIONS

⚠ Warning!

It is advisable to have an Öhlins dealer install the shock absorber.

⚠ Warning!

If working on a raised vehicle, ensure it is securely supported so that it will not tip over.

👁 Note!

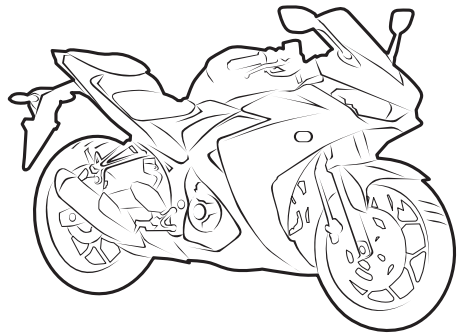
Before mounting this product clean the vehicle thoroughly.

👁 Note!

When working on this product, always see the Vehicle Service Manual for vehicle specific procedures and important data.

1

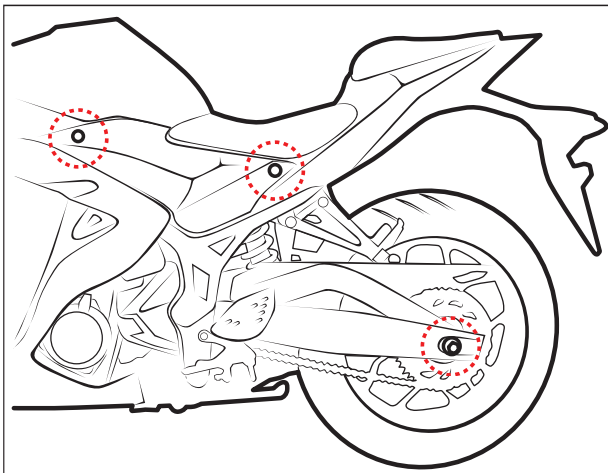
Put the motorcycle on a workstand so that the rear wheel barely touches the ground and the suspension is unloaded.



2

Remove the plastic side fairings on both sides.

Remove the rear wheel.

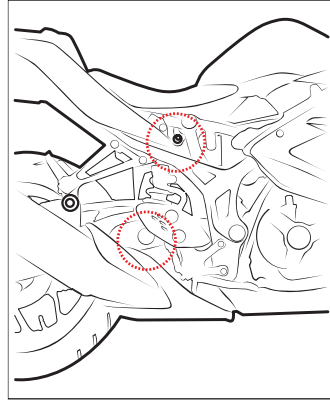


MOUNTING INSTRUCTIONS

3

Loosen the screws of the original shock absorber. Start with the lower screw first.

Lower the swingarm as much as possible and remove the shock.



4

Install the Öhlins shock absorber with the hose and reservoir hanging out on the left side.

Install the screws to the shock absorber. Do not tighten yet.

Remove the left footpeg by loosening the two screws.

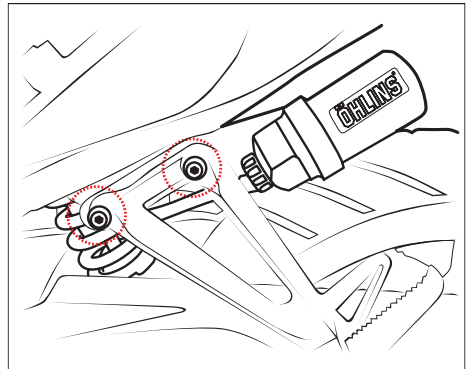
Mount the bracket support under the footpeg and reinstall into place.

Fasten the reservoir bracket with the screws supplied to mounting bracket.

Reinstall the rear wheel.

Lower the bike so that the suspension is slightly compressed before tightening the screws.

Reverse all procedures as required.



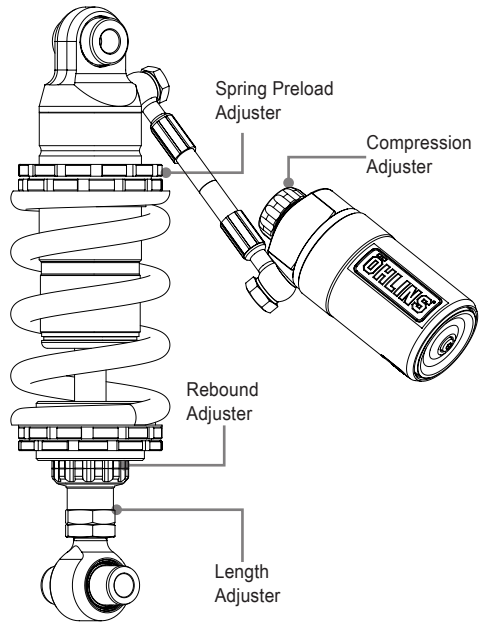
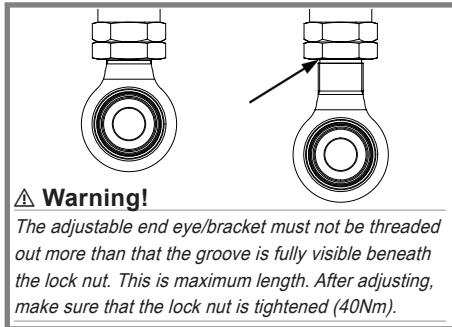
⚠ Caution!

Ensure that all screws are tightened to the correct torque and that nothing fouls or restricts movement of the shock absorber when the suspension is fully compressed or extended.

ADJUSTMENTS

⚠ Warning!

Before riding, always make sure that the basic settings made by Öhlins are according to recommended Set-up Data. Read about adjustments and setting up in the Öhlins Owner's Manual before you make any adjustments. Contact an Öhlins dealer if you have any questions about setting up.



SET-UP DATA

Recommended set-up

Spring Preload.....	11 mm.
Compression adjuster	10 Clicks
Rebound adjuster	14 Clicks

Spring

Part No	61104-69
Free spring length.....	130 mm.
Spring rate.....	170 N/mm
Preload adj.range.....	[0-13] mm

Installed spring

Shock absorber data

Length	277 ⁺¹² / ₀ mm
Stroke	40 mm

👁 Öhlins products are subject to continuous improvement and development, therefore, although these instructions include the most up-to-date information available at the time of printing, minor updates may occur.

To find the latest information contact an Öhlins distributor. Please contact Öhlins if you have any questions regarding the contents in this document.

Part no. MI_YA 967_EN_0
Issued 2019-11-20

© Öhlins Asia Co. Ltd. All rights reserved. Any reprinting or unauthorized use without the written permission of Öhlins Racing AB is prohibited.

Öhlins Asia Co. Ltd
700/937 Moo5, Tambol Nongkhaga,
Amphur Phantong, Chonburi Province
20160 Thailand



www.ohlins.com