

👁 Note!

Please note that there can be small differences between your product and the images in these instructions.

👁 Note!

Please note that during storage and transport, especially at high ambient temperature, some of the oil and grease used for assembly may leak and stain the packaging. This will not cause damage to the product, wipe off the excessive oil or grease with a cloth.

Kit Contents

Description	Part No	Pcs
Shock absorber	YA818	1
Tie rap	00231-01	3
Screw M10x50	05404-17	1
Nut M10	00430-01	1
Sticker set	10207-01	1
Sticker Memo notes	01180-01	1
Owner's manual	07241-02	1

👁 Note!

Before you install this product, check the kit contents. If anything is missing, please contact an Öhlins dealer.

⚠ Warning!

Before you install this product, read the Öhlins Owner's manual. This product is an important part of the vehicle and the vehicle stability.

Shock absorber for Yamaha Tenere 700

YA 818

Mounting Instructions

MOUNTING INSTRUCTIONS

⚠ Warning!

We strongly recommend to let an Öhlins dealer install this product.

⚠ Warning!

If you work with a lifted vehicle, make sure that it is safely supported to prevent it from tipping over.

👁 Note!

When you work with this product, see the vehicle service manual for vehicle specific procedures and important data.

👁 Note!

Before you install this product clean the vehicle.

1

Put the motorcycle on a work stand so that the rear wheel is up in the air and put a support under the rear wheel.

2

Remove the seat.

3

Remove the covers below the seat.

4

Remove the fender in front of the rear wheel.

5

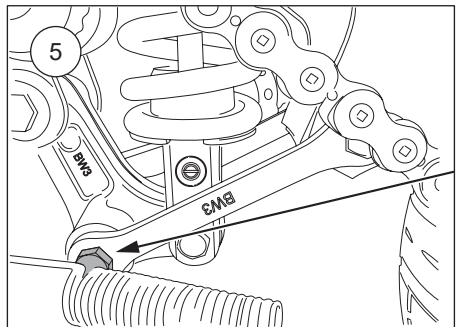
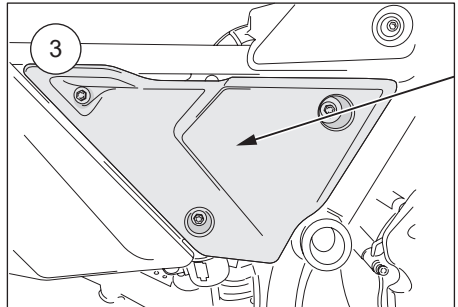
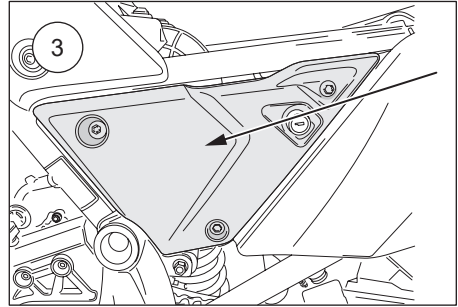
Remove the screw connecting the triangle link and pull rods.

6

Remove the lower shock absorber screw.

7

Remove the upper shock absorber screw. Lower the swing arm and remove the shock absorber upwards.



MOUNTING INSTRUCTIONS

8

Mount the Öhlins shock absorber in reverse order.

9

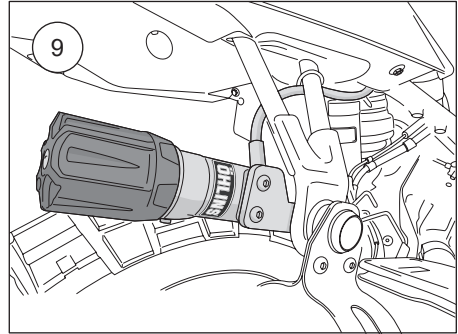
Mount the hydraulic preload master cylinder at the silencer mount. Use the supplied screw (05404-17) and nut (00430-01). Keep original outer and inner washers against the silencer bracket.

10

Use supplied Tie-raps (00231-01) to fasten the hose.

11

Mount the fender, covers and seat back in reverse order.



ADJUSTMENTS

⚠ Warning!

Before you ride/drive, always make sure that the setup is according to the recommended setup data. Read about adjustments and setting up in the Öhlins Owner's Manual before you make any adjustments. Contact an Öhlins dealer if you have any questions about setting up.

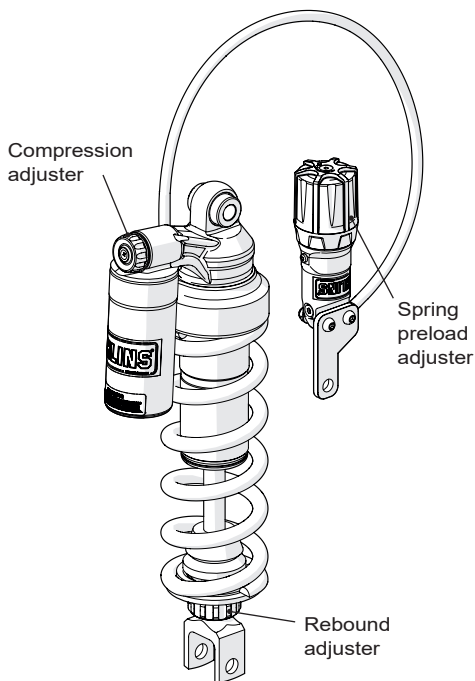
SETUP DATA

Length	371	mm
Stroke	94	mm
Rebound	10	clicks
Compression	10	clicks
Spring (part.no.)	00698-19	
Spring preload	14 -3/+7	mm
Spring rate	70	N/mm
Spring free length	230	mm

Recommended Free sag and Ride height		
R1-R2		mm
R1-R3	73	mm
F1-F2		mm
F1-F3	63	mm

Alternative springs

Spring Part no	Spring rate (N/mm)	Load (most intended usage)
00698-24	80	Rider > 110 kg or luggage > 15 kg
00698-29	90	Passenger or luggage >30 kg



Öhlins products are subject to continuous improvement and development, therefore, although these instructions include the most up-to-date information available at the time of printing, minor updates may occur.

To find the latest information contact an Öhlins distributor. Please contact Öhlins if you have any questions regarding the contents in this document.

Part no. MI_YA818_1
Issued 2021-03-26

© Öhlins Racing AB. All rights reserved. Any reprinting or unauthorized use without the written permission of Öhlins Racing AB is prohibited.

Öhlins Racing AB
Box 722
S-194 27 Upplands Väsby, Sweden
Phone +46 8 590 025 00
fax +46 8 590 025 80



www.ohlins.com