



👁 Note!

Please note that this image is a general representation of the product and may differ slightly from your product.

👁 Note!

Please note that during storage and transportation, especially at high ambient temperature, some of the oil and grease used for assembling may leak and stain the packaging. This is in no way detrimental to the product, wipe off the excessive oil/grease with a cloth.

Kit Contents

Description	Part No	Pcs
Shock absorber	YA403	1
Sticker set Öhlins		1
C-spanner	00710-02	1
Sticker Memo notes	01180-01	1
Sleeve	03204-01	1
Owner's Manual	07241-02	1

⚠ Warning!

Before installing this product, read the Öhlins Owner's Manual. The shock absorber/front fork/steering damper is an important part of your vehicle and will affect the stability.

Shock absorber for Yamaha FZ6/ Fazer

YA 403

Mounting Instructions



MOUNTING INSTRUCTIONS

⚠ Warning!

It is advisable to have an Öhlins dealer install the shock absorber/front fork/steering damper.

⚠ Warning!

If working on a raised vehicle, ensure it is securely supported so that it will not tip.

👁 Note!

Before mounting this product clean the vehicle thoroughly.

👁 Note!

When working on this product, always see the Vehicle Service Manual for vehicle specific procedures and important data.

1

Put the motorcycle on a workstand so that the rear wheel barely touches the ground.

2

Remove the seat and the side cover on the left side of the bike.

3

Remove the plastic rear fender and the chain guard.

4

Remove the original shock absorber.

5

Install the Öhlins shock absorber. The reservoir hose shall run on the outside of the plastic cover on the left side of the motorcycle, according to the figure.

👁 Note!

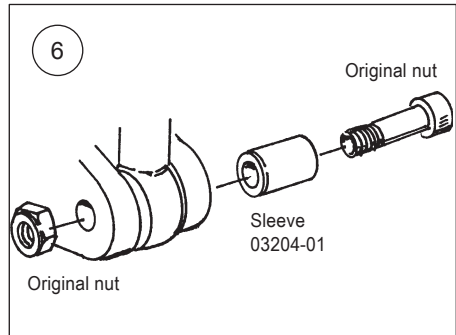
It is necessary to slightly bend the plastic part to get the hose in its correct position.

6

Mount the upper shock absorber mounting bolt. Use the sleeve supplied together with the lower mounting bolt according to the figure.

👁 Caution!

Check that there is enough clearance to the rear fender when the suspension is compressed.



7

Mount the rear mud guard, the left side cover and the seat.

👁 Note!

Lower the vehicle so that the suspension is slightly compressed before tightening the screws.

👁 Caution!

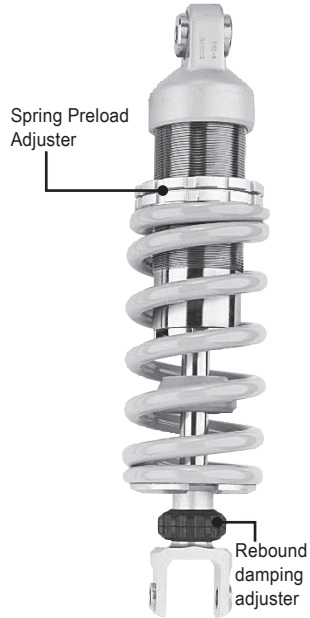
Ensure that all screws are tightened to the correct torque and that nothing fouls or restricts movement of the shock absorber/front fork/steering damper when the suspension is fully compressed or extended.

MOUNTING INSTRUCTIONS

ADJUSTMENTS

⚠ Warning!

Before riding, always make sure that the basic settings made by Öhlins are according to recommended Set-up Data. Read about adjustments and setting up in the Öhlins Owner's Manual before you make any adjustments. Contact an Öhlins dealer if you have any questions about setting up.



SET-UP DATA

Length	305	mm
Stroke	58	mm
Rebound	14	clicks
Spring preload	8	mm

👁 Öhlins products are subject to continuous improvement and development, therefore, although these instructions include the most up-to-date information available at the time of printing, minor updates may occur.

To find the latest information contact an Öhlins distributor. Please contact Öhlins if you have any questions regarding the contents in this document.

Part no. MI_YA403_1
Issued 2017-01-01



© Öhlins Racing AB. All rights reserved. Any reprinting or unauthorized use without the written permission of Öhlins Racing AB is prohibited.

Öhlins Racing AB
Box 722
S-194 27 Upplands Väsby, Sweden
Phone +46 8 590 025 00
fax +46 8 590 025 80



www.ohlins.com