

Before installing this product, check the contents of the kit. If anything is missing, please contact an Öhlins dealer.

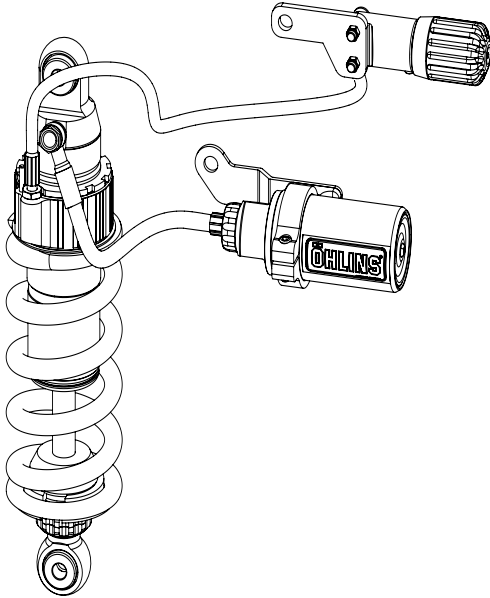
Kit Contents

	Part No.	Pcs.
Shock Absorber	YA 041	1
Tie wrap	00231-01	4
Washer 8.4/26/5	00426-02	1
Nut M5	00430-04	3
Screw MC6S 5x16	01046-18	2
Screw MC6S 5x22	01046-26	1
Screw MC6S 8x30	01046-30	4
Reservoir bracket	05378-10	1
Washer 10/16/3	21617-03	1
Bracket	21617-10	1
Sticker set Öhlins		1
Memo Notes Sticker	01180-01	1
Owner's Manual	07241-02	1

Please note that during storage and transportation, especially at high ambient temperature, some of the oil and grease used for assembling may leak and stain the packaging. This is in no way detrimental to the product, wipe off the excessive oil/grease with a cloth.

▲ Warning!

Before installing this product, read the Öhlins Owner's Manual. The shock absorber is an important part of your vehicle and will affect the stability.



Shock Absorber for Yamaha FZ1 / FZ8

YA 041

Mounting Instructions



How to install

Warning!

It is advisable to have an Öhlins dealer install the shock absorber.

When installing, consult your Vehicle Service Manual.

1

Put the motorcycle on a workstand so that the rear wheel barely touches the ground.

Warning!

Make sure the vehicle is securely supported so that it will not tip.

2

Remove the covers on the right and left side of the vehicle.

3

Loosen the ABS unit (two screws - see figure) to reach the upper attachment of the original shock absorber.

4

Loosen the upper (A) and the lower (B) attachment of the original shock absorber and remove it. Also remove the lower attachment for the triangle link (C).

Note!

Before installing the Öhlins shock absorber clean the vehicle thoroughly.

5

Install the Öhlins Shock absorber from below. Leave the hydraulic preload adjuster hanging to the right side and the reservoir to the left.

Note!

Lower the motorcycle so that the shock absorber is slightly compressed, before tightening the screws.

6

Tighten the upper and lower attachment screws, then tighten the lower attachment of the triangle link.

7

Install the reservoir to the left passenger foot peg bracket, according to the figure. Use the screws (2x01046-30) and the washer (21617-03) provided in this kit.

Caution!

Ensure that the hydraulic preload adjuster hose runs in soft bends. Also check that it does not come in contact with the exhaust pipe or any sharp edges.

8

Install the hydraulic preload adjuster to the right side passenger foot peg bracket, according to the figure. Use the screws (2x01046-30) and washer (00426-02) provided in this kit.

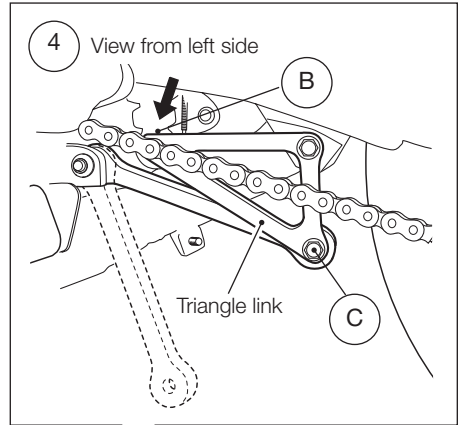
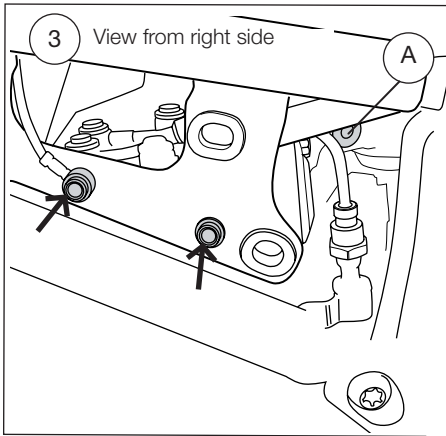
9

Make sure that all removed parts are reinstalled in the same way as they were before the installation of the Öhlins Shock Absorber.

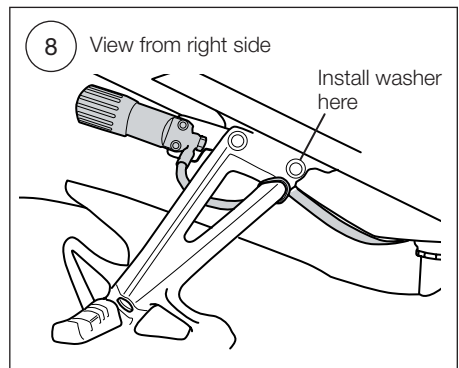
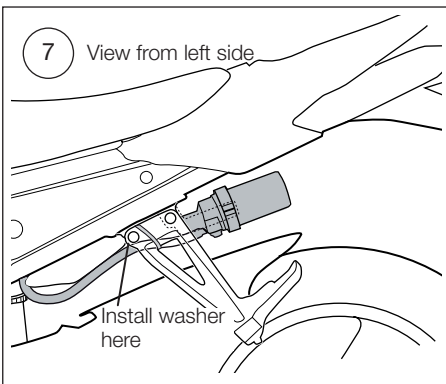
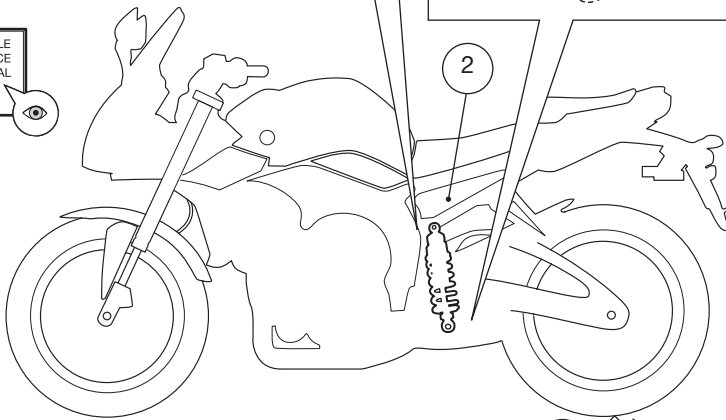
Caution!

Make sure that all screws are tightened to the correct torque and that nothing fouls or restricts movement of the shock absorber when the suspension is fully compressed or extended.

How to install



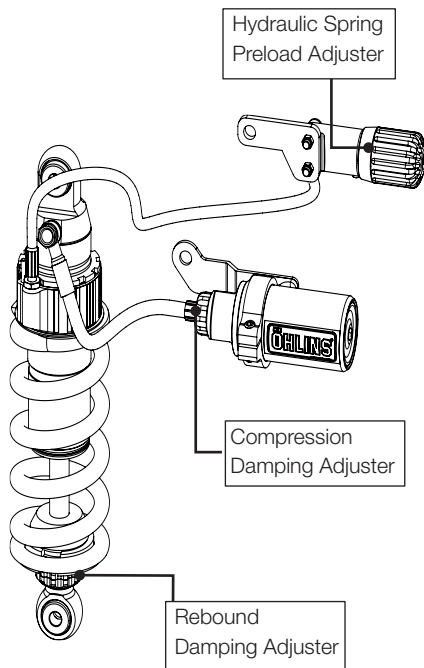
VEHICLE
SERVICE
MANUAL



Adjustments

⚠ Warning!

Before riding, always make sure that the basic settings made by Öhlins are according to recommended Set-up Data. Read about adjustments and setting up in the Öhlins Owner's Manual before you make any adjustments. Contact an Öhlins dealer if you have any questions about setting up the shock absorber.



Set-up Data

Recommended set-up

Rebound	16 clicks
Compression	14 clicks
Spring Preload	10 mm

Spring

Part No.	Rate
01095-44	120 N/mm
Spring free length	180 mm

Shock absorber data

Length	320 mm
Stroke	68

Free Sag and Ride Height

R1 - R2 = 12 mm
R1 - R3 = 30 mm

👁 Öhlins products are subject to continuous improvement and development, therefore, although these instructions include the most up-to-date information available at the time of printing, minor updates may occur.

To find the latest information contact your Öhlins distributor. Please consult your Öhlins dealer if you have any questions regarding the contents in this document.

Part no. YA041_1
Issued 2017-01-01



© Öhlins Racing AB. All rights reserved. Any reprinting or unauthorized use without the written permission of Öhlins Racing AB is prohibited.

Öhlins Racing AB
Box 722
S-194 27 Upplands Väsby, Sweden
Phone +46 8 590 025 00
fax +46 8 590 025 80



www.ohlins.com