

*Before installing this product, check the contents of the kit. If anything is missing, please contact an Öhlins dealer.*

#### **Kit Contents**

	Part No	Pcs
Steering Damper	02262-10	1
Frame bracket	02272-24	1
Bracket assy	02230-13	1
Triple clamp bracket	02270-37	1
Screw M26x1	02274-04	1
Bolt MC6S 6x22	01046-05	1
Bolt MC6S 6x35	01046-06	1
Bolt MC6S 6x40	01046-09	1
Screw K6S 8x20	05404-02	1
Sleeve	02239-01	1
Teflon spacer	02259-03	1
Öhlins Sticker	00192-01	2
Owner's Manual	07261-02	1

#### **👁 Note!**

*Please note that this image is a general representation of the product and may differ slightly from your product.*

#### **👁 Note!**

*Please note that during storage and transportation, especially at high ambient temperature, some of the oil and grease used for assembling may leak and stain the packaging. This is in no way detrimental to the product, wipe off the excessive oil/grease with a cloth.*

#### **⚠ Warning!**

*Before installing this product, read the Öhlins Owner's Manual. The shock absorber/front fork/steering damper is an important part of your vehicle and will affect the stability.*

## **Steering Damper for Kawasaki ZX 636R**

# **SD 042**

## **Mounting Instructions**



# MOUNTING INSTRUCTIONS

## **Warning!**

*It is advisable to have an Öhlins dealer install the shock absorber/front fork/steering damper.*

## **Warning!**

*If working on a raised vehicle, ensure it is securely supported so that it will not tip.*

## **Note!**

*Before mounting this product clean the vehicle thoroughly.*

## **Note!**

*When working on this product, always see the Vehicle Service Manual for vehicle specific procedures and important data.*

**1**

Loosen the fuel tank attachment by removing the two screws.

**2**

Mount the frame bracket according to the image. Use screws provided in this kit to mount the bracket on the fuel tank bracket.

**3**

Remove the original steering stem screw. Remove the original washer. Mount the triple clamp bracket to the steering stem, use the screw provided in this kit.

## **Note!**

*Tighten the top nut of the steering stem. Torque according to Vehicle Service Manual. If no torque is recommended tighten to 100Nm.*

**4**

Mount the bracket assembly to the triple clamp bracket. Use screw, teflon spacer and sleeve provided in this kit.

**5**

Mount the Öhlins steering damper to the bracket assembly. Do not tighten yet.

**6**

Mount the steering damper end eye to the frame bracket. Use screw provided in this kit.

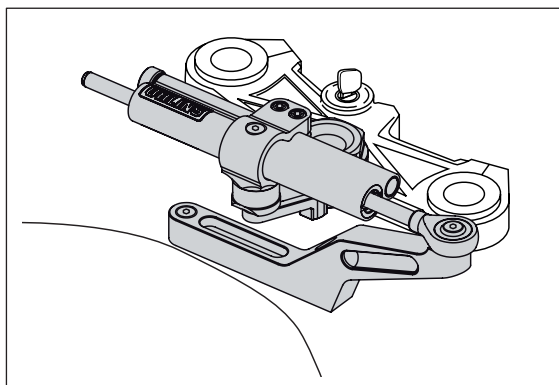
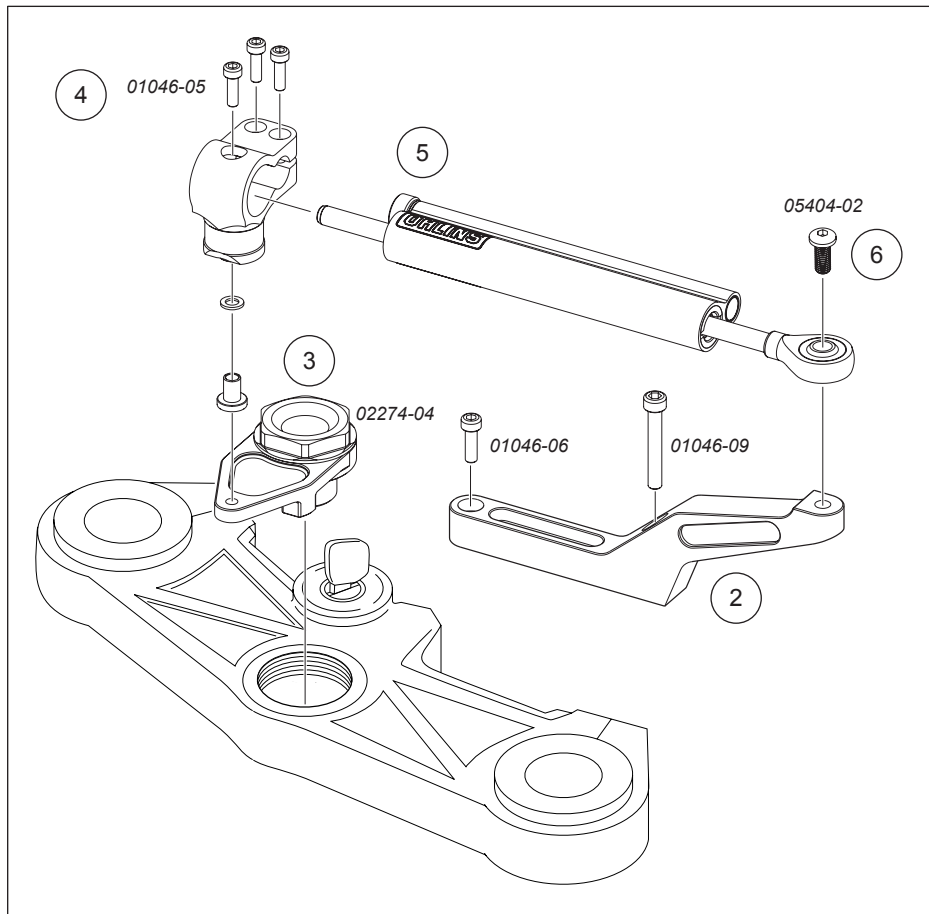
**7**

Adjust the steering damper by sliding it in the bracket assembly so that the steering damper uses similar stroke lengths in both directions.

## **Caution!**

*Ensure that all screws are tightened to the correct torque and that nothing fouls or restricts movement of the shock absorber/front fork/steering damper when the suspension is fully compressed or extended.*

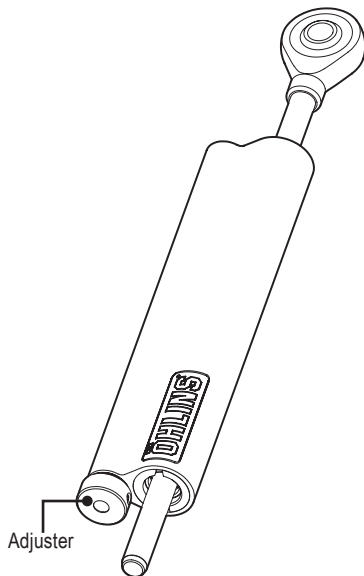
# MOUNTING INSTRUCTIONS



# ADJUSTMENTS

## ⚠ Warning!

*Before riding, always make sure that the basic settings made by Öhlins are according to recommended Set-up Data. Read about adjustments and setting up in the Öhlins Owner's Manual before you make any adjustments. Contact an Öhlins dealer if you have any questions about setting up.*



# SET-UP DATA

## Recommended set-up

10 clicks from closed

👁 Öhlins products are subject to continuous improvement and development, therefore, although these instructions include the most up-to-date information available at the time of printing, minor updates may occur.

*To find the latest information contact an Öhlins distributor. Please contact Öhlins if you have any questions regarding the contents in this document.*

Part no. MI\_SD042\_2  
Issued 2016-03-14



© Öhlins Racing AB. All rights reserved. Any reprinting or unauthorized use without the written permission of Öhlins Racing AB is prohibited.

Öhlins Racing AB  
Box 722  
S-194 27 Upplands Väsby, Sweden  
Phone +46 8 590 025 00  
fax +46 8 590 025 80



[www.ohlins.com](http://www.ohlins.com)