

*Before installing this product, check the contents of the kit. If anything is missing, please contact an Öhlins dealer.*

#### Kit Contents

	Part No	Pcs
Steering damper, stroke 68	SD033	1
Washer	00153-04	1
Öhlins Sticker	00192-01	2
Nut M6	00430-02	1
Screw M8x40	01046-21	1
Bracket assembly	02230-15	1
Sleeve	02238-09	1
Sleeve	02238-10	1
Sleeve	02239-03	1
Spacer	02259-01	1
Screw M6x35	05404-10	1
Owner's Manual	07261-02	1

#### 👁 Note!

*Please note that this image is a general representation of the product and may differ slightly from your product.*

#### 👁 Note!

*Please note that during storage and transportation, especially at high ambient temperature, some of the oil and grease used for assembling may leak and stain the packaging. This is in no way detrimental to the product, wipe off the excessive oil/grease with a cloth.*

#### ⚠ Warning!

*Before installing this product, read the Öhlins Owner's Manual. The shock absorber/front fork/steering damper is an important part of your vehicle and will affect the stability.*

## Steering Damper for BMW S1000RR

# **SD 033**

## Mounting Instructions

# MOUNTING INSTRUCTIONS

## **Warning!**

*It is advisable to have an Öhlins dealer install the shock absorber/front fork/steering damper.*

## **Warning!**

*If working on a raised vehicle, ensure it is securely supported so that it will not tip.*

## **Note!**

*Before mounting this product clean the vehicle thoroughly.*

## **Note!**

*When working on this product, always see the Vehicle Service Manual for vehicle specific procedures and important data.*

**2**

Loosen and remove the cover underneath the lower triple clamp.

**3**

Remove the original steering damper.

**4**

Mount the Öhlins steering damper to Bracket assembly (02230-15). Mount according to figure.

**5**

Mount the steering damper to the frame.

Use       Screw 01046-21  
           Sleeve 02238-10  
           Sleeve 02238-09  
           Spacer 02259-01

**6**

Fasten the end eye to the original triple clamp bracket.

Use       Screw 05404-10  
           Sleeve 02239-03  
           Washer 00153-04  
           Nut 00430-02

**7**

Loosen the screws to Bracket assembly (02230-15) in step 4. Adjust the steering damper by letting it slide in its bracket assembly so that the steering damper uses similar stroke both ways.

## **Note!**

*Make sure that the steering has clearance for turning both to the left and to the right end positions, and that the damper is not used as a stop.*

**8**

Remount all standard covers.

**9**

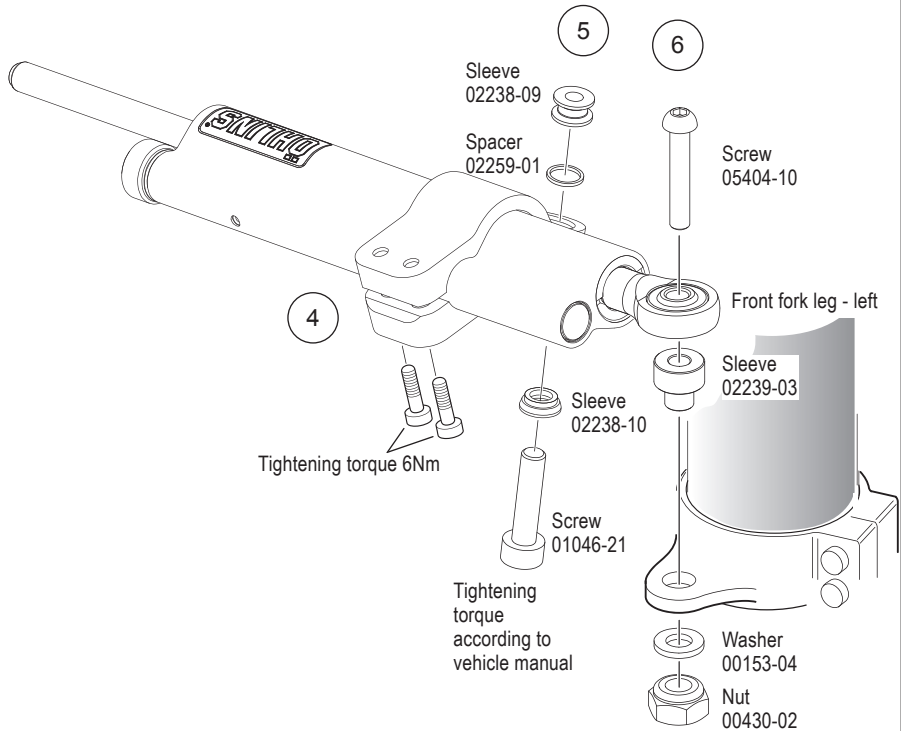
Read more about the steering damper and its different settings in your Öhlins Owners Manual.

## **Caution!**

*Make sure that all screws are tightened to the correct torque and that nothing fouls or restricts movement of the steering damper.*

# MOUNTING INSTRUCTIONS

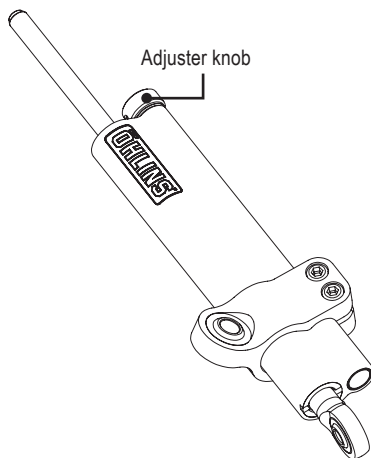
View from the front of the vehicle



# ADJUSTMENTS


## **Warning!**

*Before riding, always make sure that the basic settings made by Öhlins are according to recommended Set-up Data. Read about adjustments and setting up in the Öhlins Owner's Manual before you make any adjustments. Contact an Öhlins dealer if you have any questions about setting up.*



# SET-UP DATA

Recommended set-up ..... 10 clicks

 Öhlins products are subject to continuous improvement and development, therefore, although these instructions include the most up-to-date information available at the time of printing, minor updates may occur.

*To find the latest information contact an Öhlins distributor. Please contact Öhlins if you have any questions regarding the contents in this document.*

Part no. MI\_SD033\_2  
Issued 2016-03-14



© Öhlins Racing AB. All rights reserved. Any reprinting or unauthorized use without the written permission of Öhlins Racing AB is prohibited.

Öhlins Racing AB  
Box 722  
S-194 27 Upplands Väsby, Sweden  
Phone +46 8 590 025 00  
fax +46 8 590 025 80



[www.ohlins.com](http://www.ohlins.com)