

Note!

Before installing this product, check the contents of the kit. If anything is missing, please check an Öhlins dealer.

Kit Contents

Description	Part No	Pcs
Shock absorber	LA 345	2
Washer 8/20/0.5	63118-05	4
Screw M8x35	00432-01	2
Tool preload adjuster	03199-03	1
Sticker set "ÖHLINS"	10207-01	1
Owners manual road & track	07241-02	1

Alternative spring		
Spring	60360-02	2

Note!

Please note that this image is a general representation of the product and may differ slightly from your product.

Note!

Please note that during storage and transportation, especially at high ambient temperature, some of the oil and grease used for assembling may leak and stain the packaging. This is in no way detrimental to the product, wipe off the excessive oil/grease with a cloth.

Warning!

Before installing this product, read the Öhlins Owner's Manual. The shock absorber is an important part of your vehicle and will affect the stability.

Shock Absorber for Lambretta V200 /V200 GP

LA 345

Mounting Instructions

MOUNTING INSTRUCTIONS

⚠ Warning!

It is advisable to have an Öhlins dealer install the shock absorber.

⚠ Warning!

If working on a raised vehicle, ensure it is securely supported so that it will not tip over.

👁 Note!

Before mounting this product clean the vehicle thoroughly.

👁 Note!

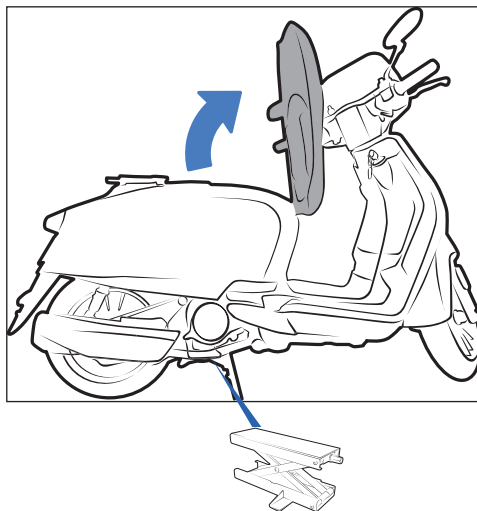
When working on this product, always see the Vehicle Service Manual for vehicle specific procedures and important data.

1

Put the motorcycle on a work stand so that the rear wheel barely touches the ground. Make sure the motorcycle is in a stable position.

2

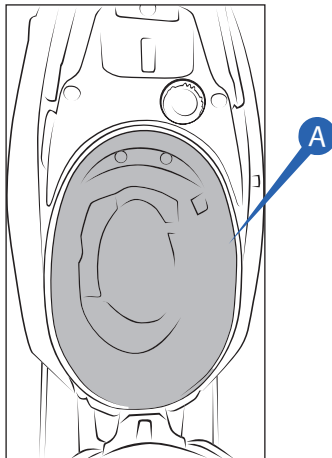
Open the seat by the ignition key.



MOUNTING INSTRUCTIONS

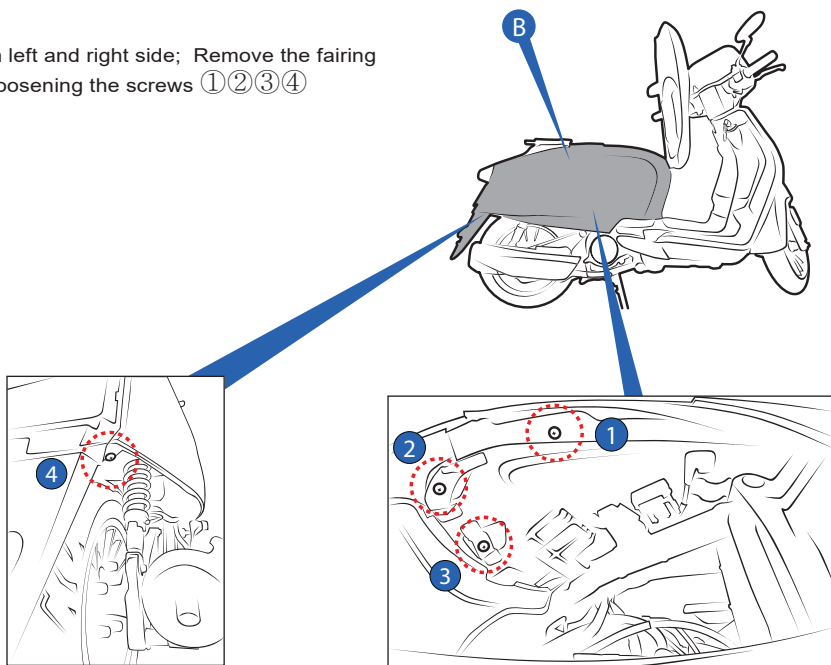
3

Remove the storage box **(A)** in order to access the screws at both sides of the plastic fairing.



4

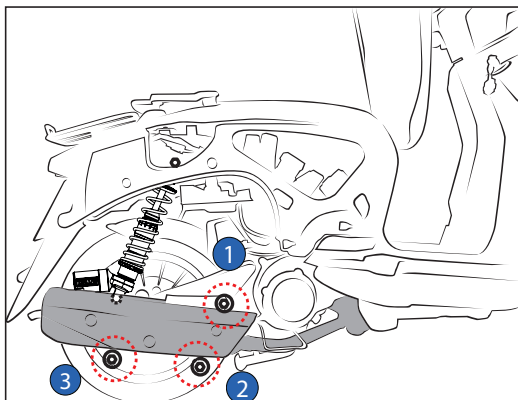
On both left and right side; Remove the fairing **(B)** by loosening the screws **(1)(2)(3)(4)**



MOUNTING INSTRUCTIONS

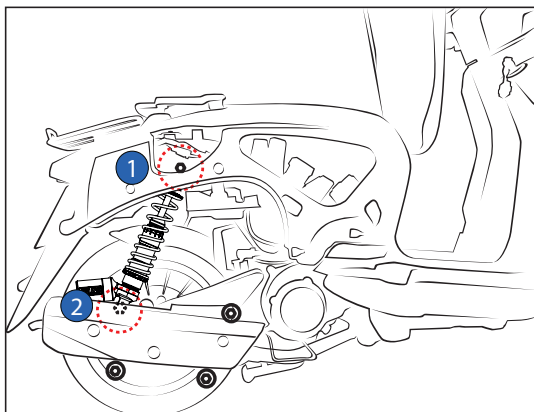
5

On the right side; Remove the exhaust muffler by loosening the screws ①②③ in order to access the shock absorber lower mounting bolt.



6

Remove the standard shock absorber by loosening the upper mounting bolt ① and the lower mounting bolt ②

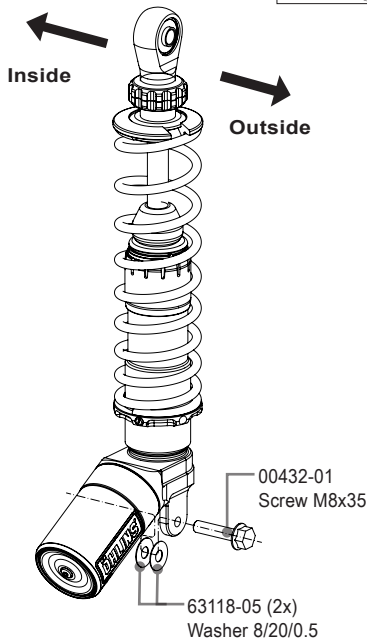
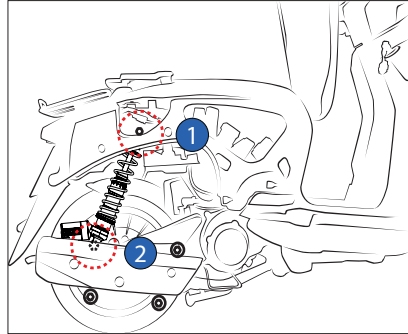


MOUNTING INSTRUCTIONS

7

Install the Öhlins shock absorber with the gas reservoir pointing backward as per diagram P1

Tighten the upper mounting bolts ① at a torque value as specified in the vehicle service manual and the lower mounting bolts ② at torque 18 Nm. Use threadlocker (Eg. Loctite) to secure the screw.



P1
(Right side shock absorber shown)

👁 **Note!**

Lower the vehicle so that the suspension is slightly compressed before tightening the screws.

👋 **Caution!**

Ensure that all screws are tightened to the correct torque and that nothing fouls or restricts movement of the shock absorber when the suspension is fully compressed or extended.

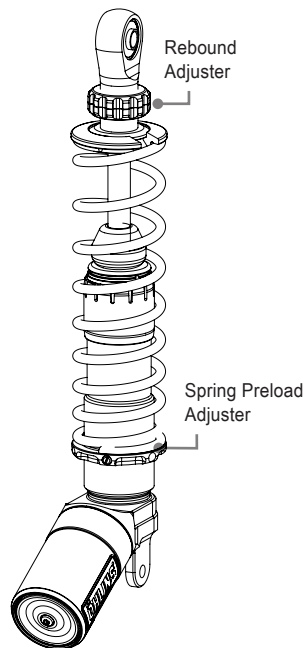
This page intentionally left blank

This page intentionally left blank

ADJUSTMENTS

⚠ Warning!

Before riding, always make sure that the basic settings made by Öhlins are according to recommended Set-up Data. Read about adjustments and setting up in the Öhlins Owner's Manual before you make any adjustments. Contact an Öhlins dealer if you have any questions about setting up.



SET-UP DATA

Recommended set-up

Spring Preload..... 3 mm.
Rebound adjuster 16 Clicks

Shock absorber data

Length 343 mm.
Stroke 82.5 mm.

Spring

Part No 60360-01
Free spring length... 200 mm
Spring rate..... Prog 11-15 N/mm
Preload adj.range.... [0-26] mm

Installed spring

Alternative spring

60360-02
200 mm
Prog 12-19 N/mm
[0-26] mm

👁 Öhlins products are subject to continuous improvement and development, therefore, although these instructions include the most up-to-date information available at the time of printing, minor updates may occur.

To find the latest information contact an Öhlins distributor. Please contact Öhlins if you have any questions regarding the contents in this document.

Part no. MI_LA 345_EN_0
Issued 2024-02-02

© Öhlins Asia Co. Ltd. All rights reserved. Any reprinting or unauthorized use without the written permission of Öhlins Racing AB is prohibited.

Öhlins Asia Co. Ltd
700/937 Moo5, Tambol Nongkhaga,
Amphur Phantong, Chonburi Province
20160 Thailand



www.ohlins.com