

Note!

Please note that this image is a general representation of the product and may differ slightly from your product.

Note!

Please note that during storage and transportation, especially at high ambient temperature, some of the oil and grease used for assembling may leak and stain the packaging. This is in no way detrimental to the product, wipe off the excessive oil/grease with a cloth.

Kit Contents

Description	Part No	Pcs
Shock absorber	HD044	2
Sleeve	00123-17	4
Washer 8,4/16/1,5	00153-04	8
Tie-rop 200x4,8	00231-01	2
Nut M6	00430-02	4
Washer stainless	03118-08	4
Tool preload adjuster	03199-01	1
Owner's manual	07241-02	1
Bracket HD LH	21157-02	2
Bracket	03102-05	2
Screw M6x14	00382-16	2
Screw M6x10	01046-60	4
Screw M6x20	01046-16	4
Screw M6x16	01046-01	4
Reservoir bracket	U00365-01	2
Reservoir adapter plate	U00366-01	2
Button head 5/16" x 1-3/4"	U00367-01	4
Spacer - short	U00368-12	2
Spacer - long	U00368-21	2
Sticker set "ÖHLINS"		

Note!

Before installing this product, check the contents of the kit. If anything is missing, please contact an Öhlins dealer.

Warning!

Before installing this product, read the Öhlins Owner's Manual. The shock absorber/front fork/steering damper is an important part of your vehicle and will affect the stability.

Shock absorber for Harley Davidson Touring

HD 044

Mounting Instructions



MOUNTING INSTRUCTIONS

⚠ Warning!

It is advisable to have an Öhlins dealer install the shock absorber/front fork/steering damper.

⚠ Warning!

If working on a raised vehicle, ensure it is securely supported so that it will not tip.

👁 Note!

Before mounting this product clean the vehicle thoroughly.

👁 Note!

When working on this product, always see the Vehicle Service Manual for vehicle specific procedures and important data.

1

Put the motorcycle on a workstand so that the rear wheel barely touches the ground.

2

Remove the original shock absorber.

3

Use the sleeves (00123-17) and washers (03118-08) in the end eye according to the figure.

👁 Note!

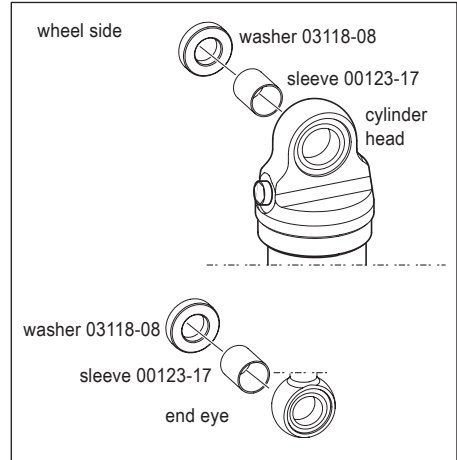
If the swingarm/frame and/or aftermarket accessories cause misalignment, use washer(s) (03118-08).

👁 Note!

Lower the vehicle so that the suspension is slightly compressed before tightening the screws.

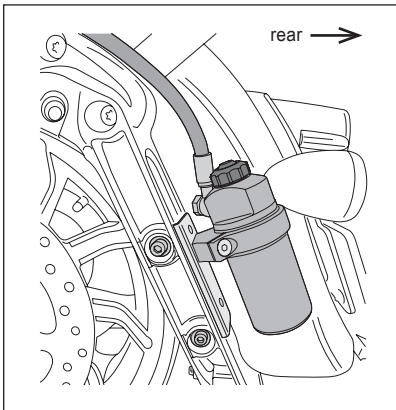
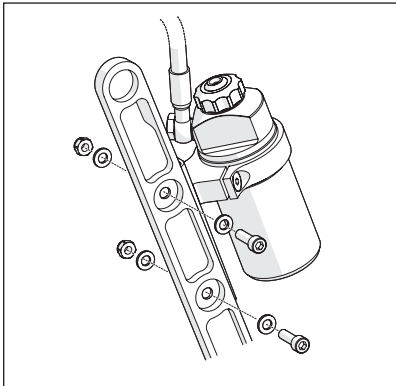
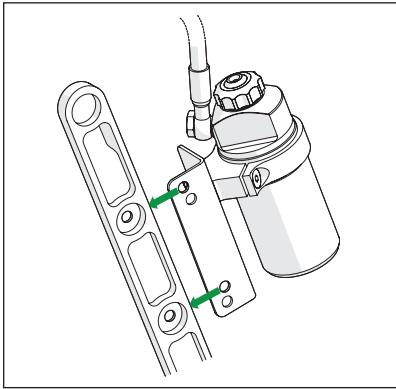
👋 Caution!

Ensure that all screws are tightened to the correct torque and that nothing fouls or restricts movement of the shock absorber/front fork/steering damper when the suspension is fully compressed or extended.

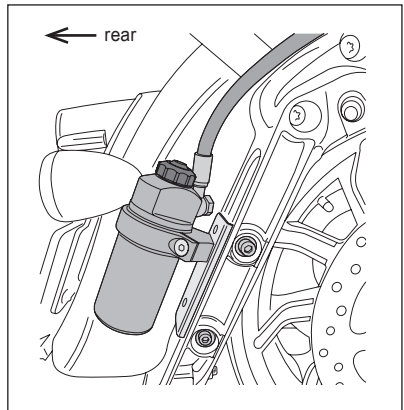
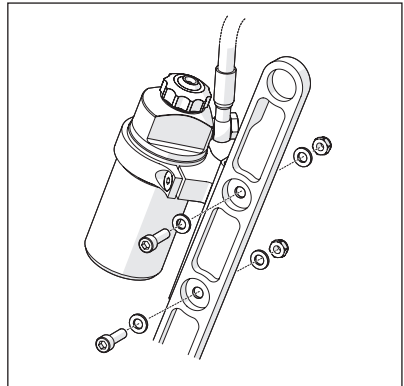
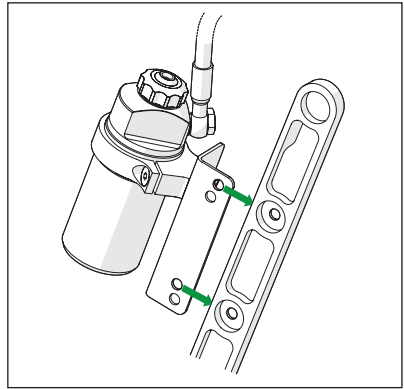


MOUNTING INSTRUCTIONS TO CONCEAL RESERVOIRS

Left Side



Right Side



MOUNTING INSTRUCTIONS TO EXPOSE RESERVOIRS

1.

After shocks are installed, remove the 2 OEM bolts from the saddle bag support frame.

2.

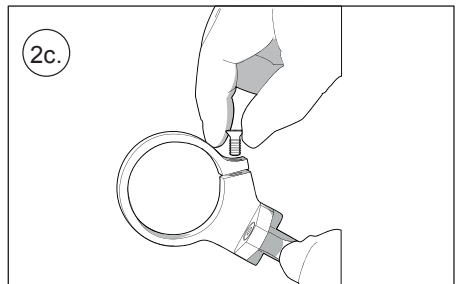
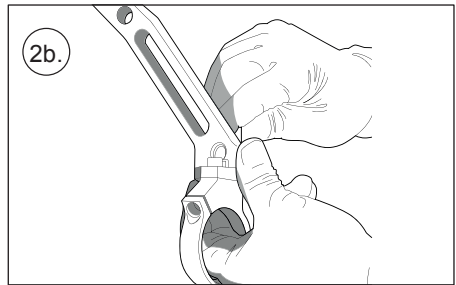
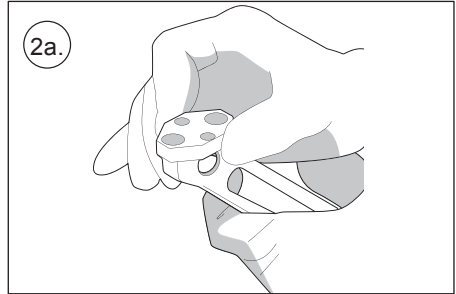
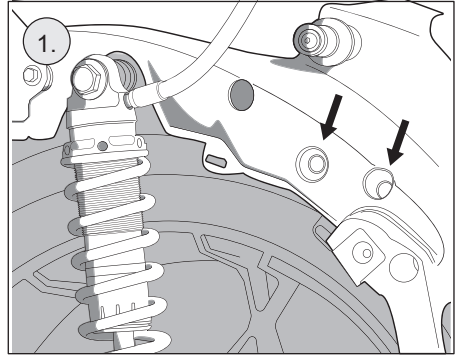
Pre-assemble the reservoir brackets

- a. Attach supplied adapter plate (U00366-01) to bracket (U00365-01) with the provided M6x10 bolts (01046-60). Use blue Loctite 242 on bolts before threading them through the counter-bored holes in the adapter plate.
- b. Attach gold reservoir bracket (03102-05) to the adapter plate with the M6x16 bolts (01046-01). Use blue Loctite 242 on bolts.

👁 **Note!**

the orientation of the pinch bolt cavity of bracket 03102-05 will determine the side of the bike the assembly will be installed on. Make sure to flip this bracket when building the assembly for the opposite side to have a designated left and right side once you're done. The pinch bolts will always face towards the center of the bike if assemblies are installed and built properly.

- c. With some blue Loctite 242, Loosely install the pinch bolt (00382-16) into the reservoir bracket.

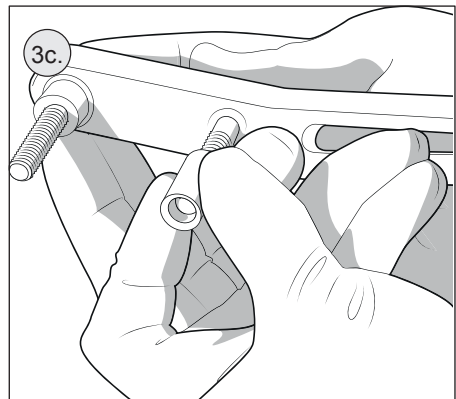
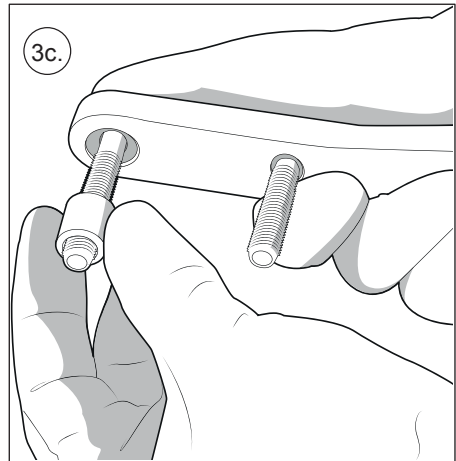
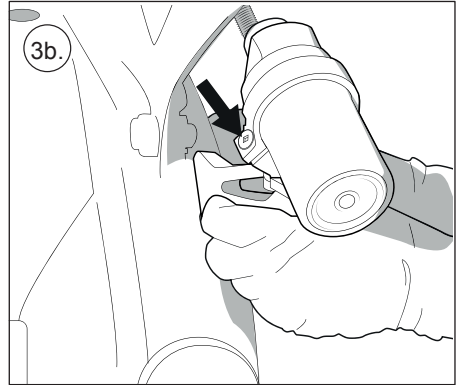


MOUNTING INSTRUCTIONS TO EXPOSE RESERVOIRS

3.

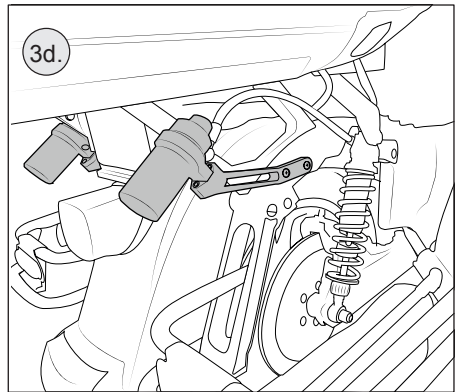
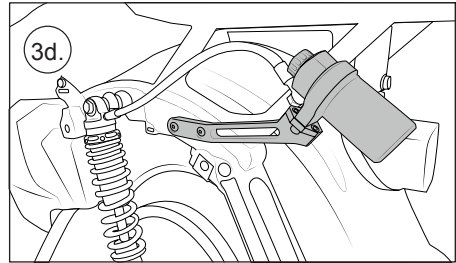
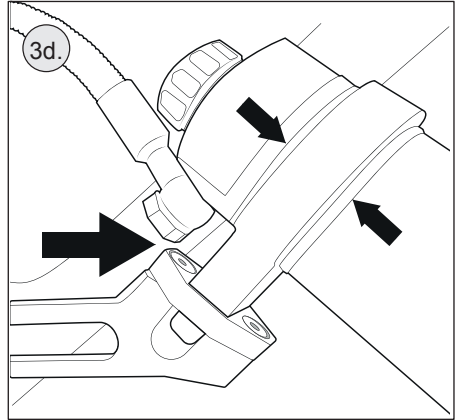
Installing the reservoir bracket assemblies

- a. Install reservoir into the bracket but do not tighten the pinch bolt yet.
- b. Reservoir bracket assemblies should be installed as shown below, with the pinch bolt oriented towards the inside of the bike.
- c. Install bracket assembly to saddle bag support frame using 1 short spacer (U00368-12) towards the front of the bike and 1 long spacer (U00368-21) towards the rear. Use 2 of the 1-3/4" long button head screws (U00367-01) to fasten onto frame using blue Loctite 242.



MOUNTING INSTRUCTIONS TO EXPOSE RESERVOIRS

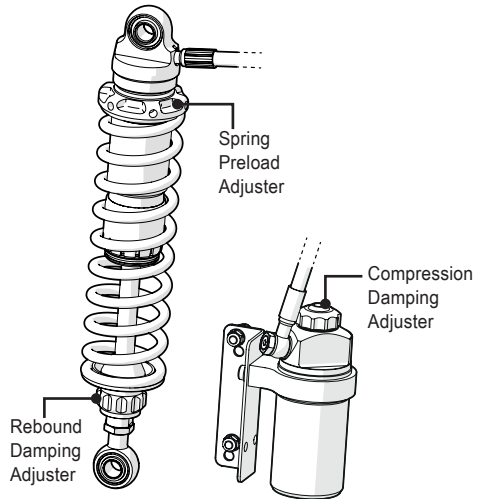
- d. Clock the reservoir in the reservoir bracket so that the head of the banjo bolt is oriented towards the damper, and that the clamping surface on the reservoir is centered in the clamp, then tighten the pinch bolt to finish installation on this side.
- e. Repeat process for the other side.



ADJUSTMENTS

⚠ Warning!

Before riding, always make sure that the basic settings made by Öhlins are according to recommended Set-up Data. Read about adjustments and setting up in the Öhlins Owner's Manual before you make any adjustments. Contact an Öhlins dealer if you have any questions about setting up.



SETUP DATA

Length	328 ^{+5/-5}	mm
Stroke	90	mm
Rebound	14	clicks
Compression	14	clicks
Spring preload	12	mm
Spring free length	200	mm

Öhlins products are subject to continuous improvement and development, therefore, although these instructions include the most up-to-date information available at the time of printing, minor updates may occur.

To find the latest information contact an Öhlins distributor. Please contact Öhlins if you have any questions regarding the contents in this document.

Part no. MI_HD044_1
Issued 2022-06-29

© Öhlins Racing AB. All rights reserved. Any reprinting or unauthorized use without the written permission of Öhlins Racing AB is prohibited.

Öhlins Racing AB
Box 722
S-194 27 Upplands Väsby, Sweden
Phone +46 8 590 025 00
fax +46 8 590 025 80



www.ohlins.com