

**Note!**

Please note that this image is a general representation of the product and may differ slightly from your product.

**Note!**

Please note that during storage and transportation, especially at high ambient temperature, some of the oil and grease used for assembling may leak and stain the packaging. This is in no way detrimental to the product, wipe off the excessive oil/grease with a cloth.

**Kit Contents**

Description	Part No	Pcs
Top cap assembly with P.L. screw		1
Top cap assembly		1
Preload tube 31.8x1.5x102	60062-11	1
Pre-load tube 31.8x1.5x110	60062-12	1
Spring 35.3/300/ 8.0	68004-80	2
Spring 35.3/300/ 9.0	68004-90	2
Sleeve 22/35.8-17	61123-19	1
Washer 20/35.7/2.6	04752-04	2
Sticker "ÖHLINS"	01185-04	2
Sticker "ÖHLINS"	01185-01	2
Sticker "ÖHLINS"	00192-01	2

**Note!**

Before installing this product, check the contents of the kit. If anything is missing, please contact an Öhlins dealer.

**Warning!**

Öhlins cannot be held responsible for any personal injury or damage that may occur after installing the Öhlins spring kit. We strongly recommend to let an Öhlins authorized service center to install this kit.

**Warning!**

After you have installed this product, take a test ride at low speed to be sure that your vehicle has maintained stability.

**Fork Spring Kit for Triumph Speed twin**

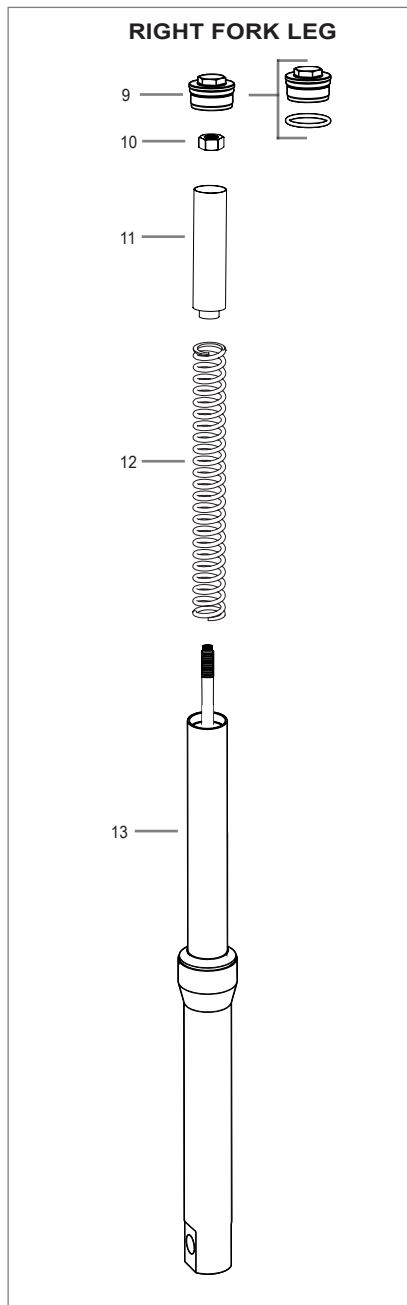
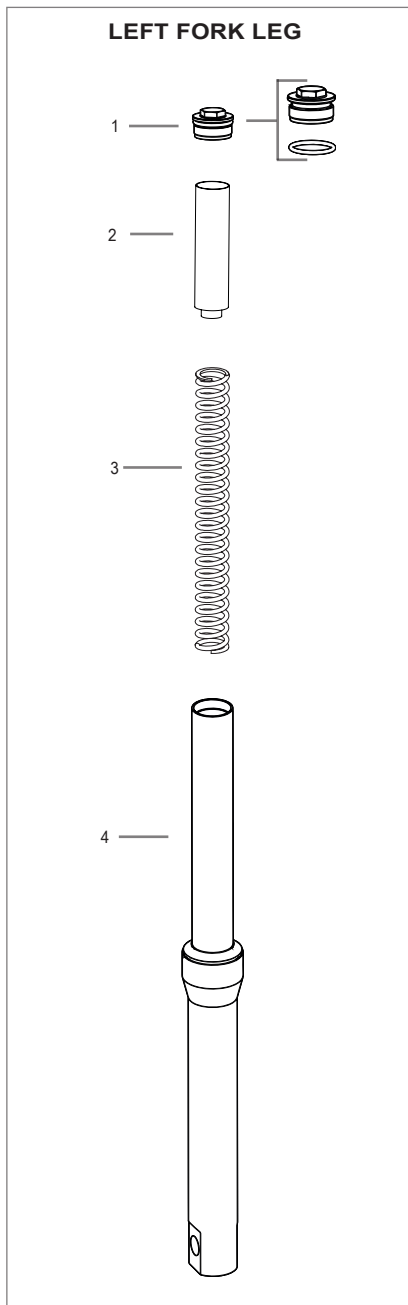
**FSK 151**

**Mounting Instructions**



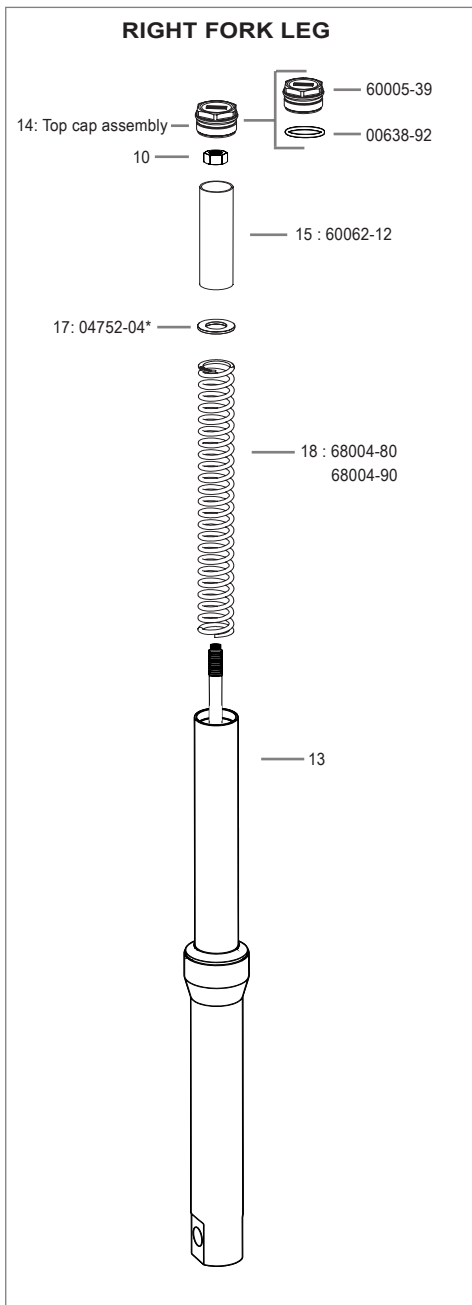
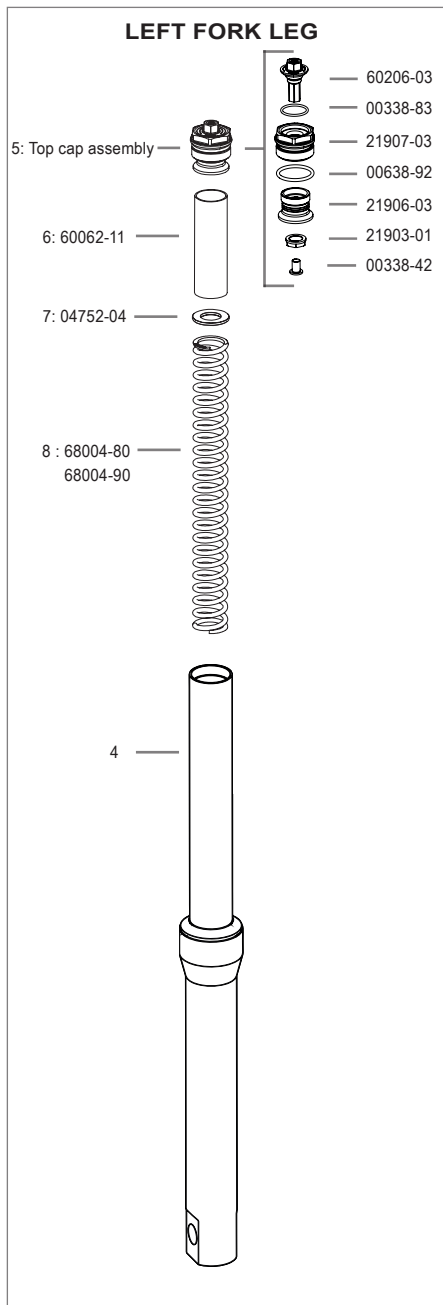
# MOUNTING INSTRUCTIONS

## Original Front Fork assembly



# MOUNTING INSTRUCTIONS

## Öhlins Front Fork kit assembly



# MOUNTING INSTRUCTIONS

## **Congratulations!**

With this purchase you have made a clear statement. This high performance Front Fork spring kit from Öhlins is nothing but pure racing breed which means that you have taken one more step to eliminate luck on your motorcycle.

The balance between your Front Fork and rear suspension will sharpen up and the performance of your Front Fork will improve. 40 years of racing experience is now a crucial part of your riding experience.

## **Note!**

Apply masking tape on the hexagon surface to avoid damages on the surface during assembling

## **Recommended oil**

We recommended to use Öhlins high performance Front Fork fluid 01314-01

## **Recommended oil Level**

LH : 112 mm.

RH : 117 mm.

## **Note!**

The measurement of oil level is taken from the top of the inner tube (4, 13) to the oil surface.

> The fork leg need to be in vertical position

> The fork need to be fully compressed

> The fork must be without the spring and the preload tube

## **Note!**

Öhlins FSK 151 gives the possibility to adjust the spring preload -5/+10 mm from standard preload (0 mm) on the LH leg only

> Every complete turn equal 1mm adjustment

\* The front fork preload can be increased an additional 15 mm by replacing in the right fork leg the washer 04752-04 with the sleeve 61123-19 supplied in the kit.

## **Note!**

Öhlins FSK 151 spring 68004-80 rate is 8.0 N/mm

Öhlins FSK 151 spring 68004-90 rate is 9.0 N/mm

	Recommended spring		
Feeling	Soft	Medium	Hard
RH Leg	68004-80	68004-80	68004-90
LH Leg	68004-80	68004-90	68004-90

# MOUNTING INSTRUCTIONS

## How to install

1. Put the motorcycle on the work stand so that the front wheel barely touches the ground. Make sure the motorcycle is in a stable position.
2. Loosen the top triple clamp clamping bolt.
3. Loosen 1/2 turn the front fork top caps(1)
4. Loosen the lower triple clamp bolts and slide the front fork down.

### **Note!**

*Work with 1 fork leg at the time*

## Left Fork Leg

5. Remove the original Top cap (1), Pre-load tube (2) and spring (3).
6. Purge all the oil from the fork leg.
7. Fill the front fork leg with oil according to the recommended type and quantity.
8. Insert the Öhlins spring (8), washer (7) and Öhlins Pre-load tube (6)
9. Install the Öhlins top cap(5) by tightening at ~10 Nm.

## Right Fork Leg

10. Remove the original Top cap(9) by loosening the nut(10).
11. Remove the original top cap(9), Preload tube(11), Spring(12)
12. Purge all the oil from the fork leg.
13. Fill the fork with oil according to the recommended type and quantity.
14. Install the Öhlins spring(18), Washer(17) Öhlins preload tube(15).
15. Install the Öhlins top cap (14).  
Torque :
  - Top cap to damper rod and nut as per motorcycle service instruction manual.
  - Top cap to front fork tube tightening at ~10 Nm.

16. Re-install both fork leg as per vehicle services manual instructions.

This page intentionally left blank

This page intentionally left blank

---

👁️ Öhlins products are subject to continuous improvement and development, therefore, although these instructions include the most up-to-date information available at the time of printing, minor updates may occur.

To find the latest information contact an Öhlins distributor. Please contact Öhlins if you have any questions regarding the contents in this document.

Part no. MI\_FSK151\_EN\_0  
Issued 2020-02-26

© Öhlins Asia Co. Ltd. All rights reserved. Any reprinting or unauthorized use without the written permission of Öhlins Racing AB is prohibited.

Öhlins Asia Co. Ltd  
700/937 Moo5, Tambol Nongkhaga,  
Amphur Phantong, Chonburi Province  
20160 Thailand



[www.ohlins.com](http://www.ohlins.com)