

Kit Contents		
Description	Part No	Pcs
Shock absorber	DU509	1
C-spanner	00710-02	1
Screw	01046-48	1
Washer	00153-11	2
Sticker Öhlins	-	-
Owner's manual	07241-02	1

👁 Note!

Please note that there can be small differences between your product and the images in these instructions.

👁 Note!

Please note that during storage and transport, especially at high ambient temperature, some of the oil and grease used for assembly may leak and stain the packaging. This will not cause damage to the product, wipe off the excessive oil or grease with a cloth.

👁 Note!

Before you install this product, check the kit contents. If anything is missing, please contact an Öhlins dealer.

⚠ Warning!

Before you install this product, read the Öhlins Owner's manual. This product is an important part of the vehicle and the vehicle stability.

Shock absorber for Ducati Scrambler Desert Sled

DU 509

Mounting Instructions



MOUNTING INSTRUCTIONS

⚠ Warning!

We strongly recommend to let an Öhlins dealer install this product.

⚠ Warning!

If you work with a lifted vehicle, make sure that it is safely supported to prevent it from tipping over.

👁 Note!

When you work with this product, see the vehicle service manual for vehicle specific procedures and important data.

👁 Note!

Before you install this product clean the vehicle.

1

Put the motorcycle on a work stand so that the rear wheel barely touches the ground.

2

Loosen the standard shock absorber's mounting screws (1), (2).

3

Remove the plastic cover behind the shock absorber if needed to gain access to the reservoir hose. If exist, cut the hose zip tie.

4

Unmount the reservoir and its mount. Reattach the screws to the lower mudguard.

5

Remove the standard shock absorber (there is a washer in the bottom mounting point that you don't need with the Öhlins shock absorber).

6

Reattach the plastic cover fairings.

👁 Note!

Lower the vehicle so that the suspension is slightly compressed before you tighten the screws.

👉 Caution!

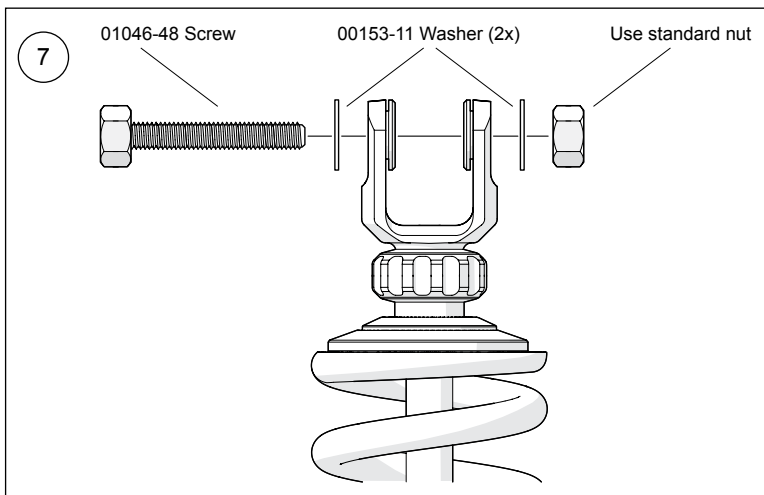
Make sure that you tighten all screws to the correct torque and that nothing fouls or restricts movement of the shock absorber/front fork/steering damper when the suspension is fully compressed or extended.

7

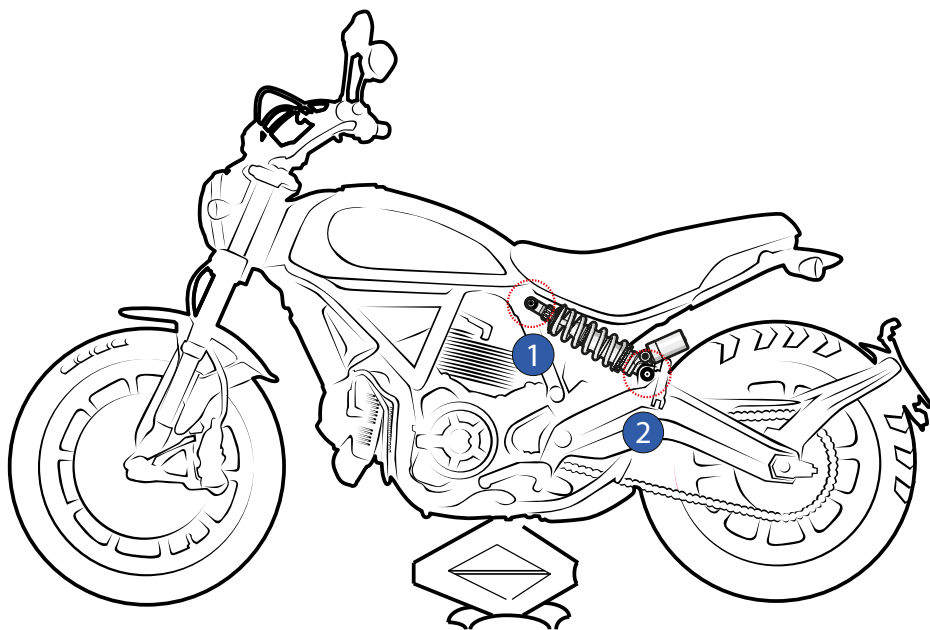
Install the Öhlins shock absorber according to the vehicle's service manual. Use supplied screw and washers according to picture.

👁 Note!

Reservoir end is mounted to the swing side.



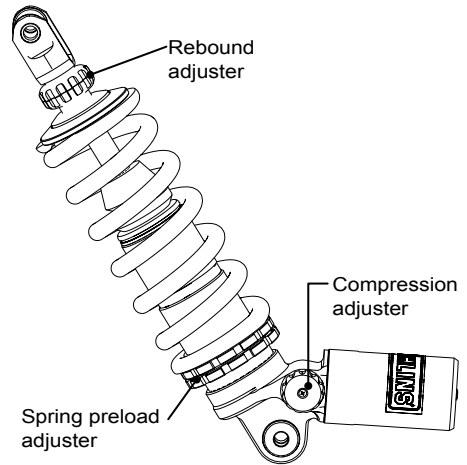
MOUNTING INSTRUCTIONS



ADJUSTMENTS

⚠ Warning!

Before you ride/drive, always make sure that the setup is according to the recommended setup data. Read about adjustments and setting up in the Öhlins Owner's Manual before you make any adjustments. Contact an Öhlins dealer if you have any questions about setting up.



SETUP DATA

Length	335	mm
Stroke	81	mm
Rebound adjuster	16	clicks
Compression adjuster	12	clicks
Spring preload	6	mm
Spring	01096-34	
Spring rate	100	N/mm
Spring free length	190	mm

Öhlins products are subject to continuous improvement and development, therefore, although these instructions include the most up-to-date information available at the time of printing, minor updates may occur.

To find the latest information contact an Öhlins distributor. Please contact Öhlins if you have any questions regarding the contents in this document.

Part no. MI_DU509_0
Issued 2017-07-03

© Öhlins Racing AB. All rights reserved. Any reprinting or unauthorized use without the written permission of Öhlins Racing AB is prohibited.

Öhlins Racing AB
Box 722
S-194 27 Upplands Väsby, Sweden
Phone +46 8 590 025 00
fax +46 8 590 025 80



www.ohlins.com