

Before installing this product, check the contents of the kit. If anything is missing, please contact an Öhlins dealer.

Kit Contents

	Part No	Pcs
Shock absorber	BM 636	1
Screw MC6S	01046-22	2
C-spanner	00710-02	1
Sticker set Öhlins		1
Memo Notes	01180-01	1
Owner's Manual	07241-02	1

Note!

Please note that this image is a general representation of the product and may differ slightly from your product.

Note!

Please note that during storage and transportation, especially at high ambient temperature, some of the oil and grease used for assembling may leak and stain the packaging. This is in no way detrimental to the product, wipe off the excessive oil/grease with a cloth.

Warning!

Before installing this product, read the Öhlins Owner's Manual. The shock absorber/front fork/steering damper is an important part of your vehicle and will affect the stability.

Shock absorber for BMW G 650 X Challenge

BM 636

Mounting Instructions



MOUNTING INSTRUCTIONS

Warning!

It is advisable to have an Öhlins dealer install the shock absorber/front fork/steering damper.

Warning!

If working on a raised vehicle, ensure it is securely supported so that it will not tip.

Note!

Before mounting this product clean the vehicle thoroughly.

Note!

When working on this product, always see the Vehicle Service Manual for vehicle specific procedures and important data.

1

Put the motorcycle on a workstand so that the rear wheel barely touches the ground.

2

From the right side of the vehicle, loosen the lower attachment of the original shock absorber.

3

Loosen the upper attachment from the left side of the vehicle.

4

Remove the original shock absorber from the left side. You may need to raise the motorcycle slightly to be able to remove the shock absorber.

5

Install the Öhlins shock absorber. Fasten the upper attachment, but do not tighten yet. Lead the external reservoir out to the left side and leave it hanging temporarily.

6

Fasten the lower attachment, do not tighten yet.

7

Fasten the external reservoir to the frame according to the figure.

Note!

If you have the optional foot peg; use the screws provided with the foot peg (longer screws). If you do not have the optional foot peg; use the screws provided in this kit.

Note!

Lower the vehicle so that the suspension is slightly compressed before tightening the screws.

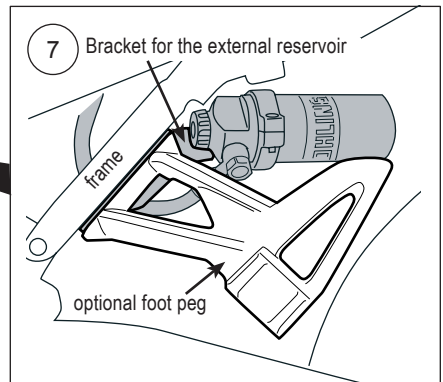
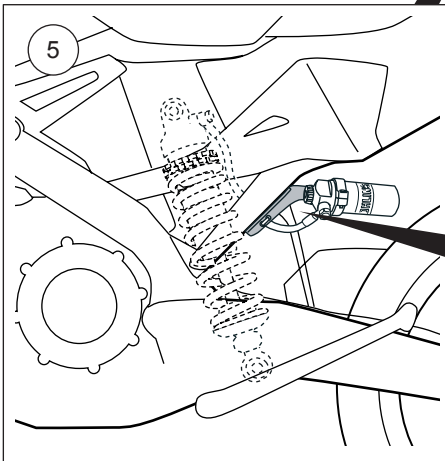
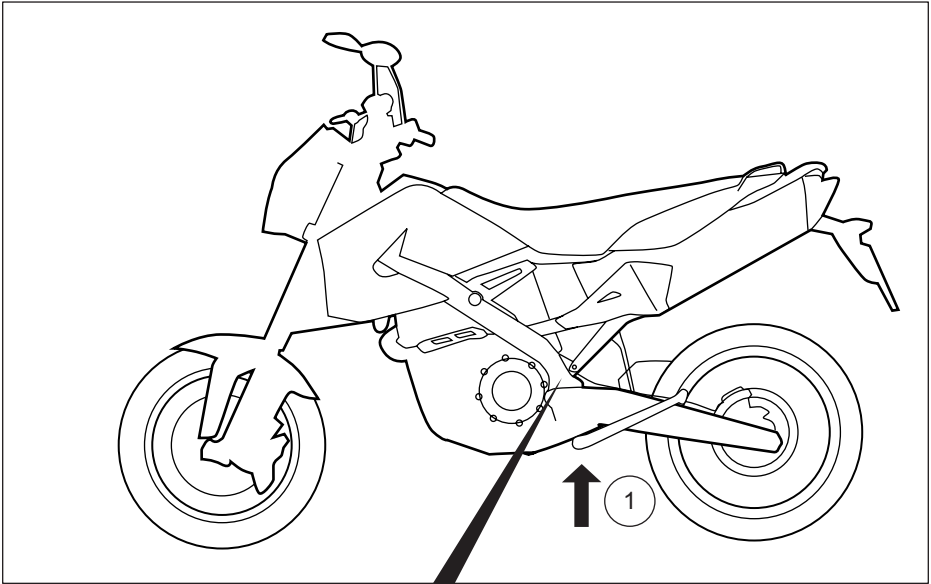
8

Tighten the upper and lower attachments.

Caution!

Ensure that all screws are tightened to the correct torque and that nothing fouls or restricts movement of the shock absorber/front fork/steering damper when the suspension is fully compressed or extended.

MOUNTING INSTRUCTIONS



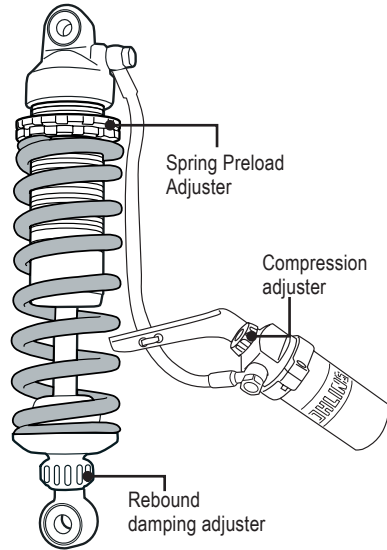
Note!

If you have the optional foot peg, use the longer screws and mount according to figure.

ADJUSTMENTS

Warning!

Before riding, always make sure that the basic settings made by Öhlins are according to recommended Set-up Data. Read about adjustments and setting up in the Öhlins Owner's Manual before you make any adjustments. Contact an Öhlins dealer if you have any questions about setting up.



SET-UP DATA

Recommended set-up

Rebound 10 clicks
Compression 10 clicks
Spring Preload..... 5 mm

Spring


Part No. 00698-39
Free spring length..... 230 mm
(110N/mm)

Shock absorber data

Length..... 350 mm
Stroke 90 mm

Sag and Ride Height

F1-F2..... 40-50mm
F1-F3..... 55-65mm
R1-R2 15-25mm
R1-R3 40-50mm

 Öhlins products are subject to continuous improvement and development, therefore, although these instructions include the most up-to-date information available at the time of printing, minor updates may occur.

To find the latest information contact an Öhlins distributor. Please contact Öhlins if you have any questions regarding the contents in this document.

Part no. MI_BM636_3
Issued 2017-01-01



© Öhlins Racing AB. All rights reserved. Any reprinting or unauthorized use without the written permission of Öhlins Racing AB is prohibited.

Öhlins Racing AB
Box 722
S-194 27 Upplands Väsby, Sweden
Phone +46 8 590 025 00
fax +46 8 590 025 80



www.ohlins.com