

👁 Note!

Please note that there can be small differences between your product and the images in these instructions.

👁 Note!

Please note that during storage and transport, especially at high ambient temperature, some of the oil and grease used for assembly may leak and stain the packaging. This will not cause damage to the product, wipe off the excessive oil or grease with a cloth.

Kit Contents		
Description	Part No	Pcs
Shock absorber	AP661	1
Bracket	01082-02	1
Screw M6x30	05404-07	2
Nut M6	00430-02	2
Washer	00153-04	4
Tie rap	00231-01	3
Sticker set	10207-01	1
Sticker Memo notes	01180-01	1
Owner's manual	07241-02	1

👁 Note!

Before you install this product, check the kit contents. If anything is missing, please contact an Öhlins dealer.

⚠ Warning!

Before you install this product, read the Öhlins Owner's manual. This product is an important part of the vehicle and the vehicle stability.

Shock absorber for Aprilia Tuareg 660

AP 661

Mounting Instructions

MOUNTING INSTRUCTIONS

⚠ Warning!

We strongly recommend to let an Öhlins dealer install this product.

⚠ Warning!

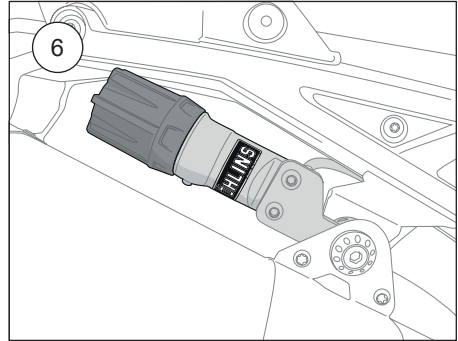
If you work with a lifted vehicle, make sure that it is safely supported to prevent it from tipping over.

👁 Note!

When you work with this product, see the vehicle service manual for vehicle specific procedures and important data.

👁 Note!

Before you install this product clean the vehicle.



1

Put the motorcycle on a work stand so that the rear wheel is up in the air and put a support under the rear wheel.

2

Remove the screw connecting the triangle link and pull rods.

3

Remove the lower shock absorber screw.

4

Remove the upper shock absorber screw. Lift the swing arm to horizontal position and remove the shock absorber downwards with a twist.

5

Mount the Öhlins shock absorber in reverse order.

6

Mount the hydraulic preload master cylinder to the supplied bracket (01082-02) at the silencer mount (See picture). Use the supplied screw (05404-07) and nut (00430-02). Keep original outer and inner washers against the silencer bracket.

7

Use supplied Tie-raps (00231-01) to fasten the hose.

MOUNTING INSTRUCTIONS

ADJUSTMENTS

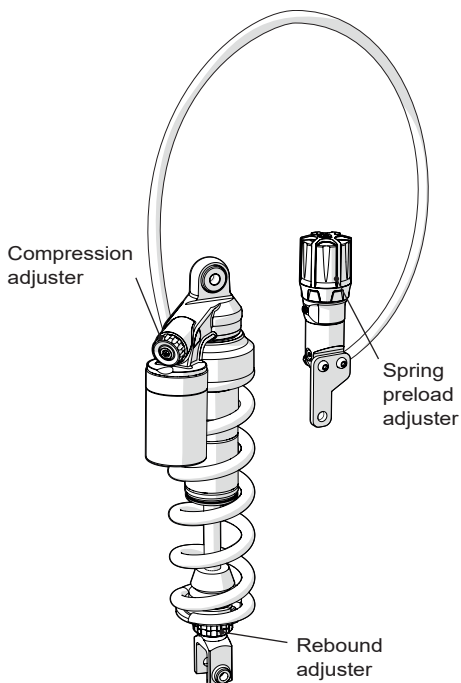
⚠ Warning!

Before you ride/drive, always make sure that the setup is according to the recommended setup data. Read about adjustments and setting up in the Öhlins Owner's Manual before you make any adjustments. Contact an Öhlins dealer if you have any questions about setting up.

SETUP DATA

Length	401	mm
Stroke	109.5	mm
Rebound	13	clicks
Compression	12	clicks
Spring (part.no.)	20580-31	
Spring preload	4	mm
Spring rate	95	N/mm
Spring free length	250	mm

Recommended Free sag and Ride height		
R1-R2		mm
R1-R3	84	mm
F1-F2		mm
F1-F3	99	mm



Öhlins products are subject to continuous improvement and development, therefore, although these instructions include the most up-to-date information available at the time of printing, minor updates may occur.

To find the latest information contact an Öhlins distributor. Please contact Öhlins if you have any questions regarding the contents in this document.

Part no. MI_AP661_0
Issued 2022-07-08

© Öhlins Racing AB. All rights reserved. Any reprinting or unauthorized use without the written permission of Öhlins Racing AB is prohibited.

Öhlins Racing AB
Box 722
S-194 27 Upplands Väsby, Sweden
Phone +46 8 590 025 00
fax +46 8 590 025 80



www.ohlins.com