



M-50 220A88510

The 220A88510 caliper is synonymous with reliability

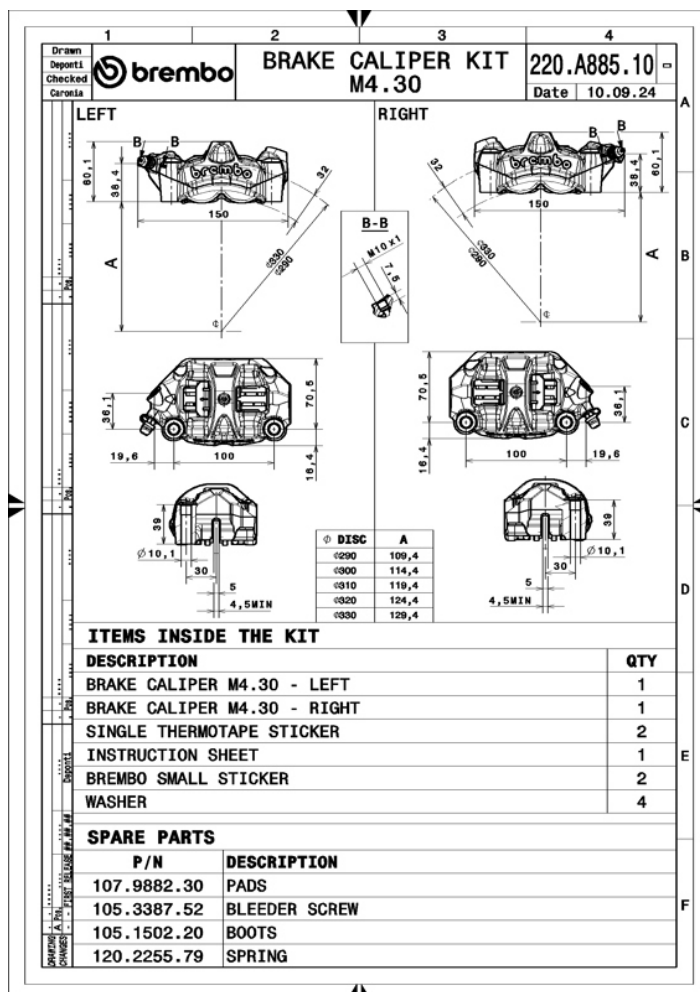
The Brembo M-50 is a monobloc caliper designed with the latest technical innovations to guarantee optimum rigidity and weight reduction. The letter M stands for monobloc and the number 50 refers to the years the company has been in business.

- ✓ OE-equivalent
- ✓ Brembo quality
- ✓ Safety
- ✓ Performance
- ✓ Exclusive style
- ✓ Racing inspired
- ✓ Sports driving



Technical specifications

Piston size 34 mm	Number of pistons 4	Surface width 32-34 mm
Offset 30 mm	Pads included Yes	Caliper material Aluminium
Protection Titanium	Piston material Aluminium	Weight without pads 700 gr
Units per box 2		



COMPATIBLE VEHICLES