

1

2

3

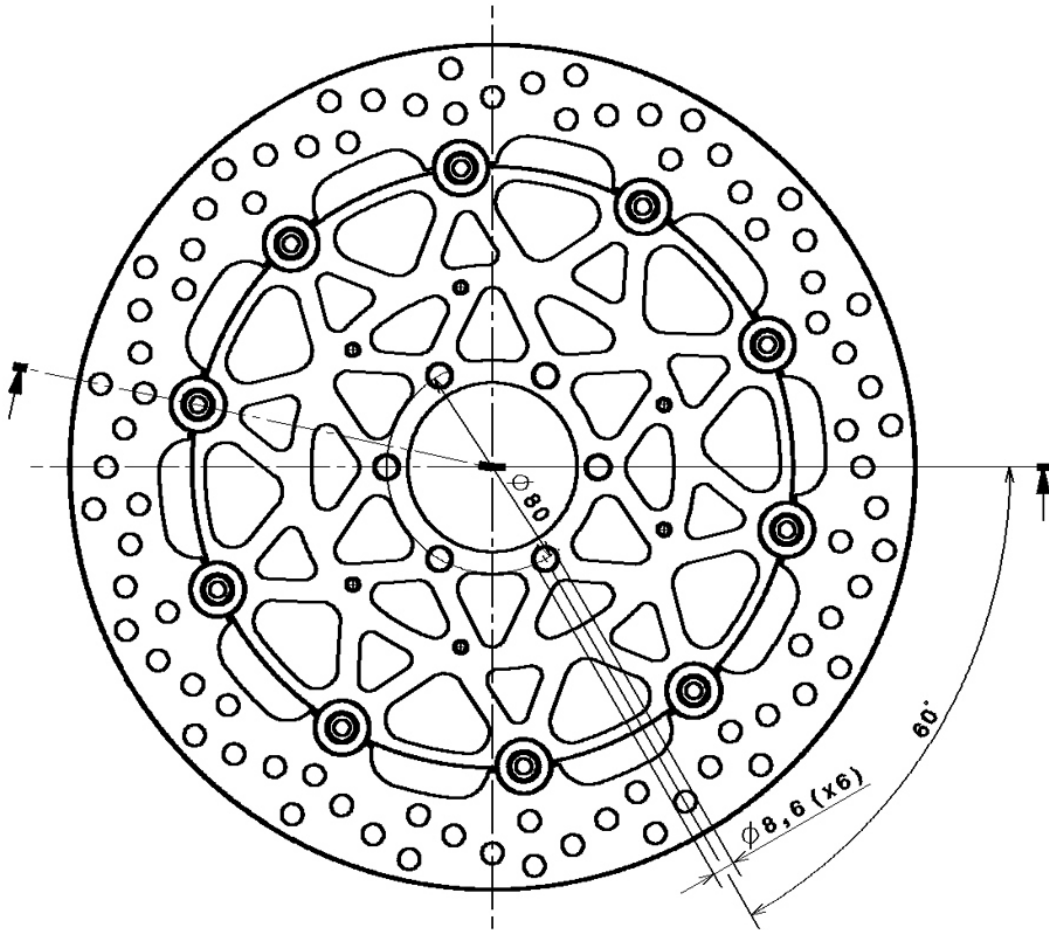
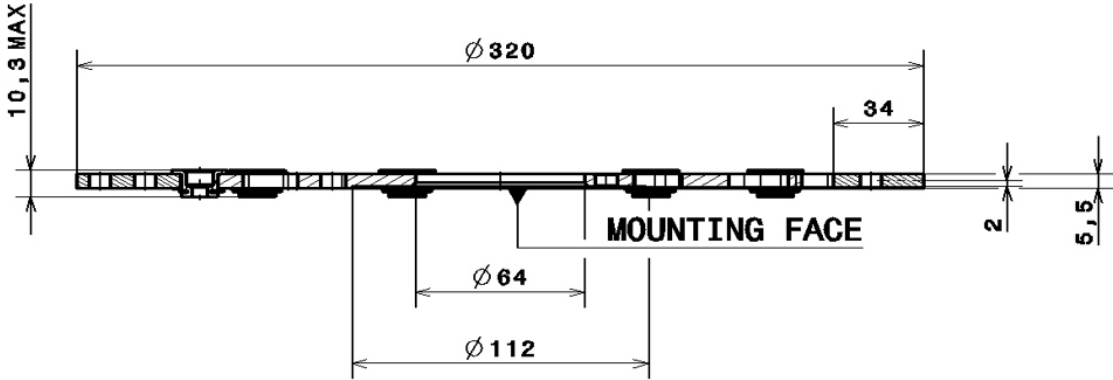
4

Drawn
Deponti
Checked
Caronia



BRAKE DISC KIT DP $\phi 320$

208.9737.53 □
Date 26.07.24



ITEMS INSIDE THE KIT

DESCRIPTION

QTY

BRAKE DISC DP 320x5,5

2

INSTRUCTION SHEET

1

BREMBO SMALL STICKER

2

DRAWING CHANGES
A Pos
- FIRST RELEASE ###-##
Deponti

A
B
C
D
E
F