

1

2

3

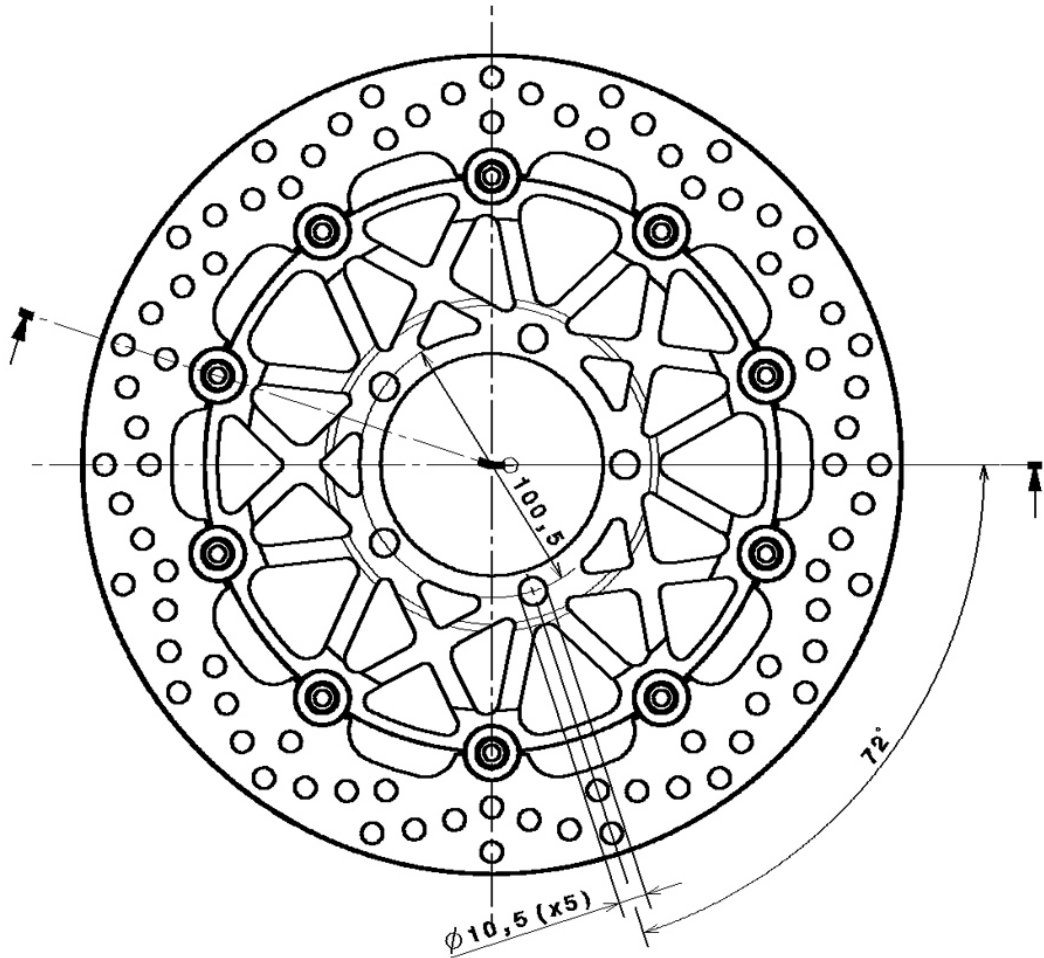
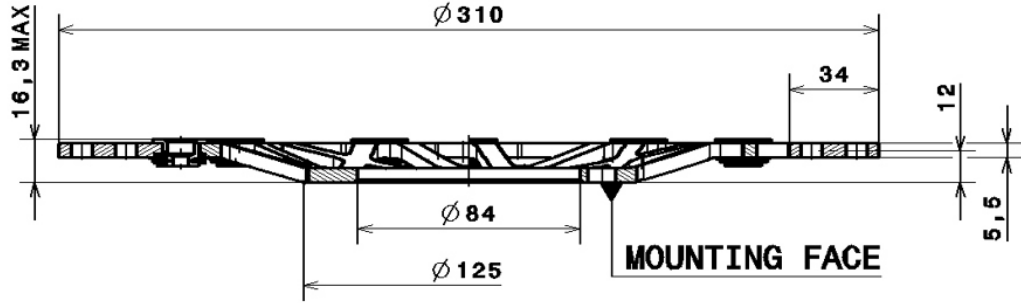
4

Drawn  
Deponti  
Checked  
Caronia



# BRAKE DISC KIT DP $\phi 310$

208.9737.30 □  
Date 31.07.24



## ITEMS INSIDE THE KIT

### DESCRIPTION

QTY

BRAKE DISC DP 310x5,5

2

INSTRUCTION SHEET

1

BREMBO SMALL STICKER

2

DRAWING  
CHANGES

A Pos

Pos

Pos

Pos

Pos

Pos

Pos

Pos

Pos

Pos

Pos

Pos

Pos

Pos

Pos

Pos

Pos

Pos

Pos

Pos

Pos

Pos

Pos

Pos

Pos

Pos

Pos

Pos

Pos

Pos

Deponti

##

##

##

##

A  
B  
C  
D  
E  
F