

1

2

3

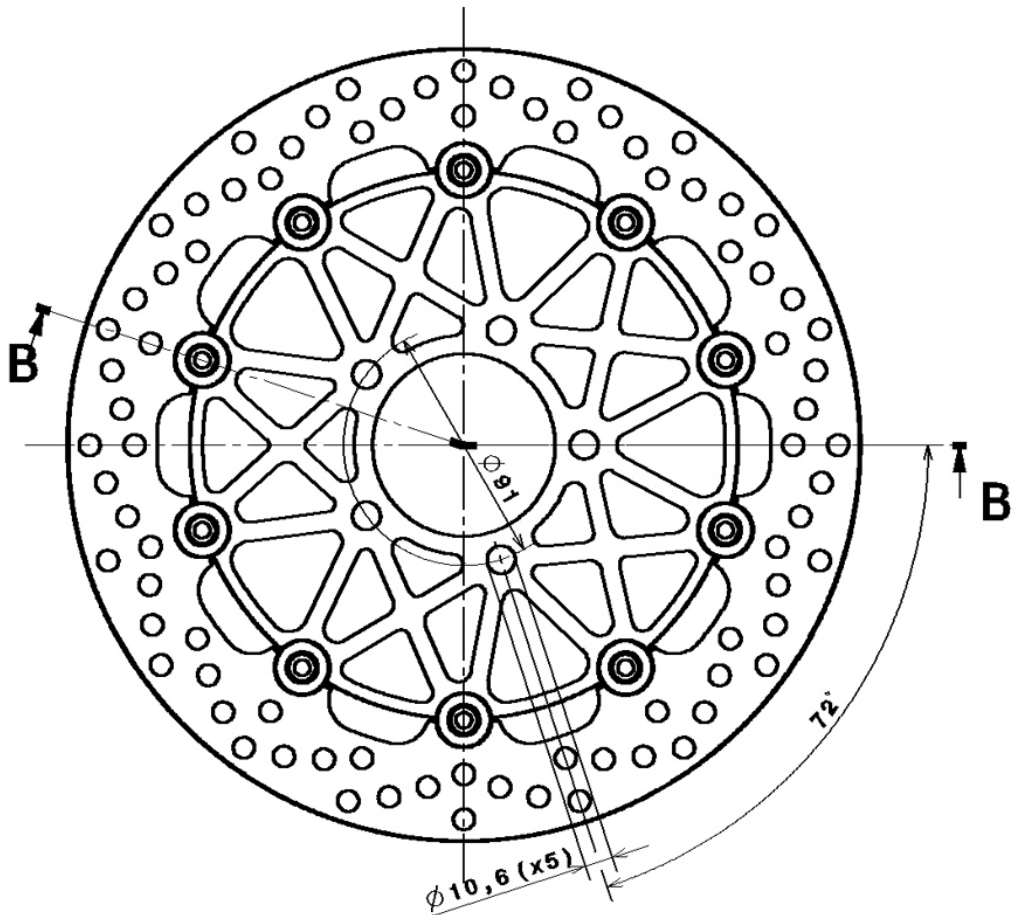
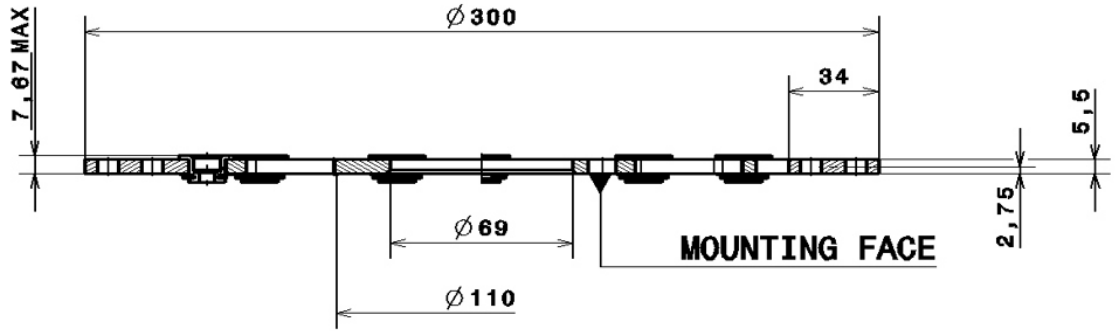
4

Drawn  
Deponti  
Checked  
Caronia



# BRAKE DISC KIT DP $\phi 300$

208.9737.16 □  
Date 29.07.24



## ITEMS INSIDE THE KIT

DESCRIPTION	QTY
BRAKE DISC DP 300x5,5	2
INSTRUCTION SHEET	1
BREMBO SMALL STICKER	2

DRAWING CHANGES  
 A Pos  
 - FIRST RELEASE ##.##.##  
 Deponti

A  
 B  
 C  
 D  
 E  
 F