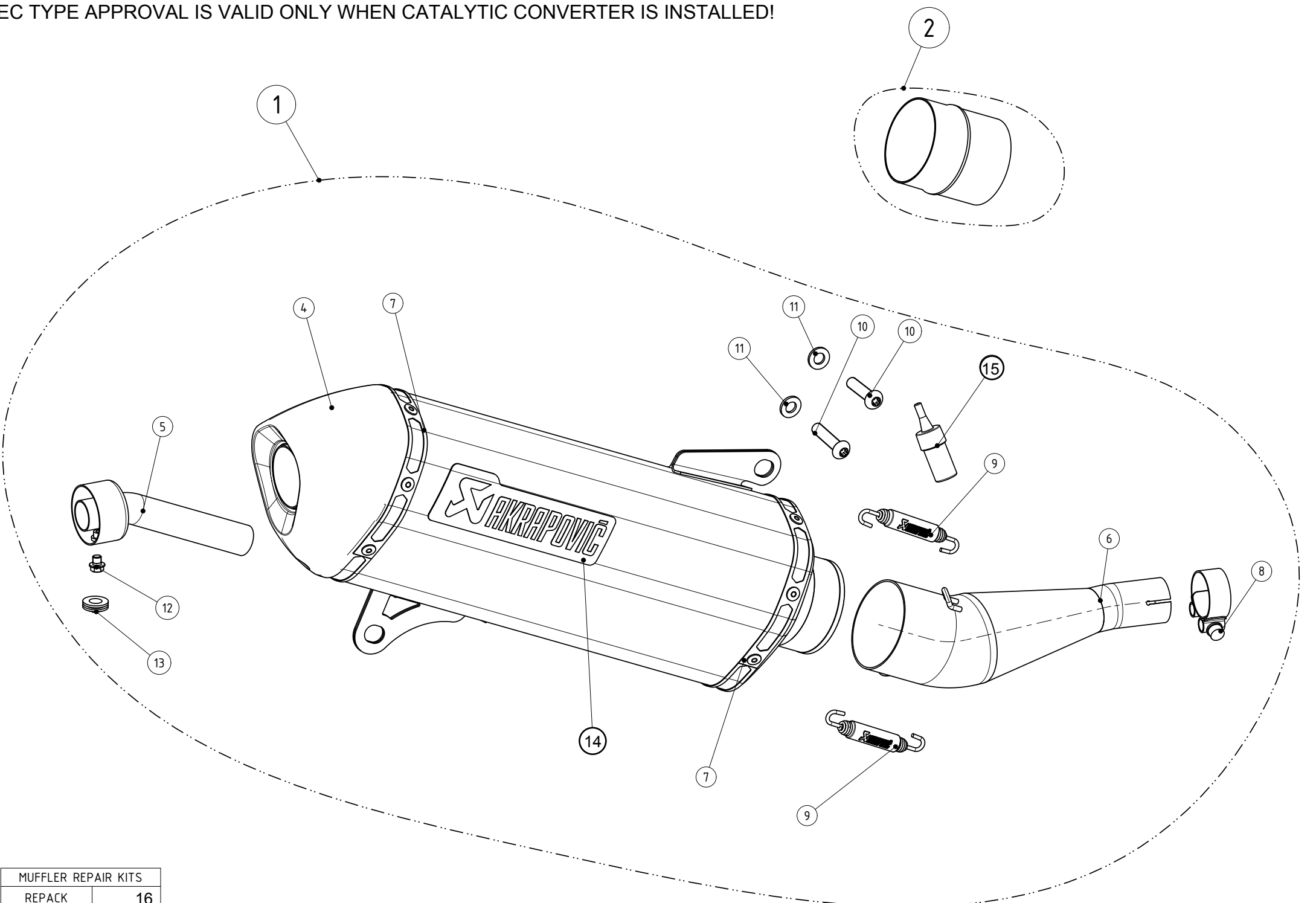


EC TYPE APPROVAL IS VALID ONLY WHEN CATALYTIC CONVERTER IS INSTALLED!



| MUFFLER REPAIR KITS | |
|---------------------|----|
| REPACK | 16 |
| SLEEVE | 17 |

| No. | SalesCode | Description | Qty. |
|-----|---------------|-----------------------|------|
| 1 | S-Y2SO7-HRSS | slip on system | 1 |
| 2 | P-KAT-040 | catalytic converter | 1 |
| 4 | V-EC146 | end cap CA | 1 |
| 5 | V-TUV018 | insert SS | 1 |
| 6 | L-Y2SO2SS | link pipe SS | 1 |
| 7 | P-TT45 | belt TI for SS sleeve | 2 |
| 8 | P-R51 | clamp SS | 1 |
| 9 | P-S2/1 | spring | 2 |
| 10 | P-FB87 | bolt | 2 |
| 11 | P-DR82 | washer SS | 2 |
| 12 | P-FB56 | bolt | 1 |
| 13 | P-GUV004 | rubber insert | 1 |
| 14 | P-HST2AL | sticker | 1 |
| 15 | P-HF267 | locktite | 1 |
| 16 | P-RPCK101 | repack kit | 1 |
| 17 | P-RKS399RSS35 | muffler sleeve kit | 1 |