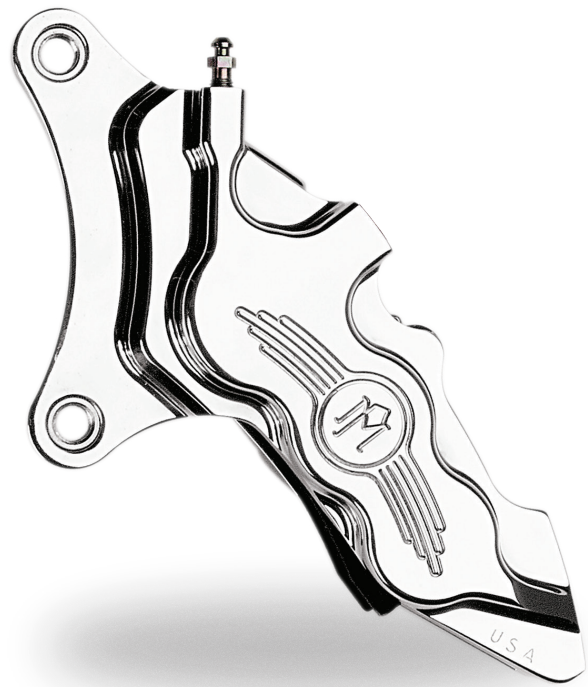
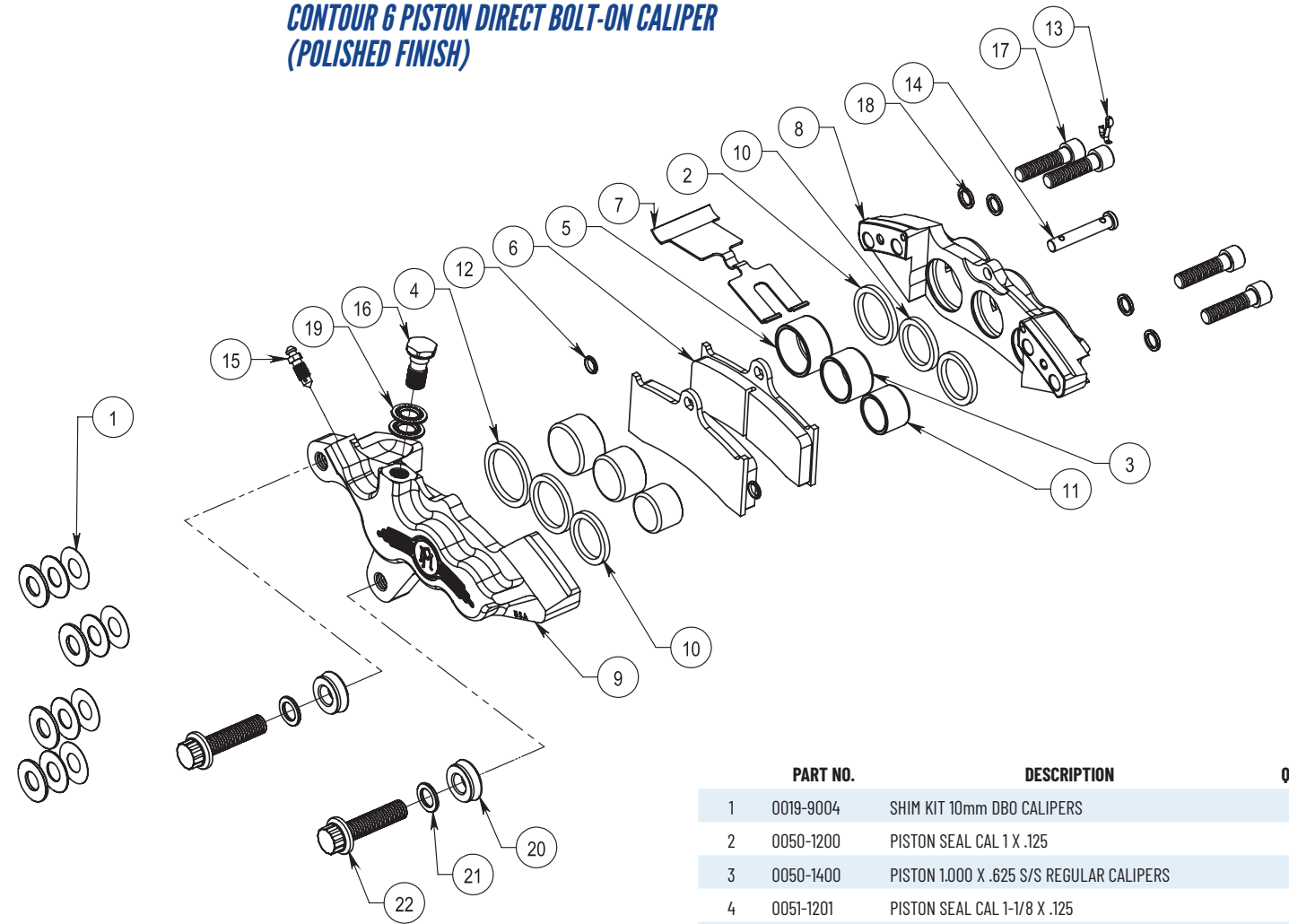
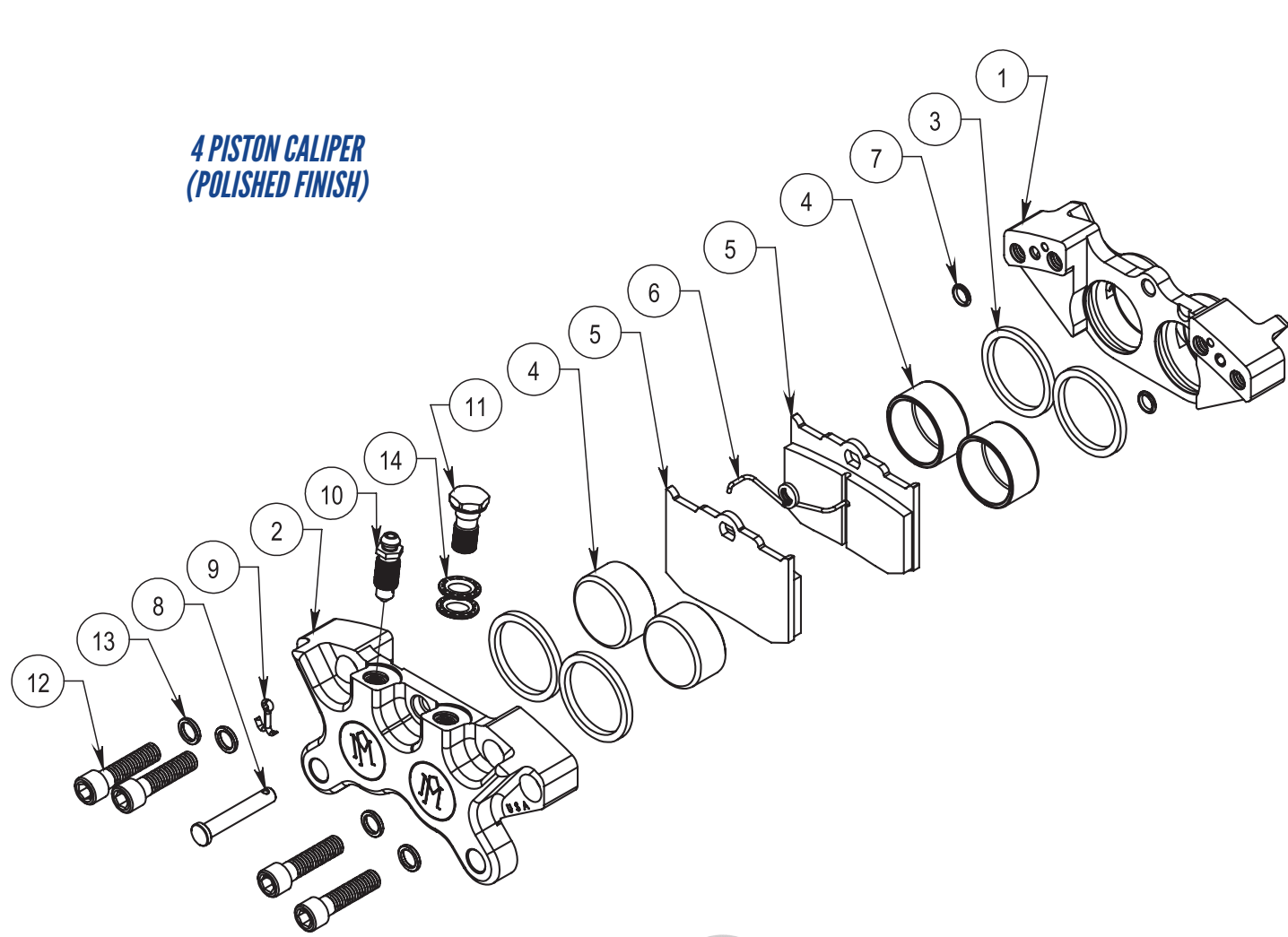


CONTOUR 6 PISTON DIRECT BOLT-ON CALIPER (POLISHED FINISH)



	PART NO.	DESCRIPTION	QTY
1	0019-9004	SHIM KIT 10mm DBO CALIPERS	2
2	0050-1200	PISTON SEAL CAL 1 X .125	2
3	0050-1400	PISTON 1.000 X .625 S/S REGULAR CALIPERS	2
4	0051-1201	PISTON SEAL CAL 1-1/8 X .125	1
5	0051-1400	PISTON 1.125 X .625 S/S REGULAR CALIPERS	2
6	0051-1602EM	BRAKE PADS 112X6B EBC SB101C NON SQUEAK SINTERED	2
7	0051-1800	ANTI RATTLE SPRING 112X6B	1
8	0051-1903	CALIPER HOUSING 112X6 INNER LEFT	1
9	0051-1927	CALIPER HOUSING 112X6B OUTER LEFT	1
10	0058-1200	PISTON SEAL CAL 7/8 X .125	3
11	0058-1400	PISTON .875 X .625 S/S REGULAR CALIPERS	2
12	0073-0005	O-RING .375 X 1/16 CAL	2
13	0075-0012	COTTER PIN 3/32 X 1/2 STEEL ZINC PLATED	1
14	0075-0038	CLEVIS PIN 1/4 X 1-5/8 X .184 CHROME	1
15	0083-1000-CH	BLEEDER SCREW 1/4-28, 12L14 CHROME PLATED	1
16	0083-2001	BANJO BOLT 3/8-24	1
17	0101-2006-CH	SHCS 5/16-18 X 1-1/4 CHROME	4
18	0106-2008	WASHER .316 X .440 X .060, STAINLESS	4
19	0106-9014	WASHER .365 X .665 X .050 O-RING STAT O SEAL	2
20	0011-0260CE	SPACER 7/8 X .26 X .404	2
21	0106-3003	WASHER .391 X .625 X .062 AL	2
22	0110-8235	12 POINT 10 X 1.50 X 40mm CHROME GRADE 12.9	2

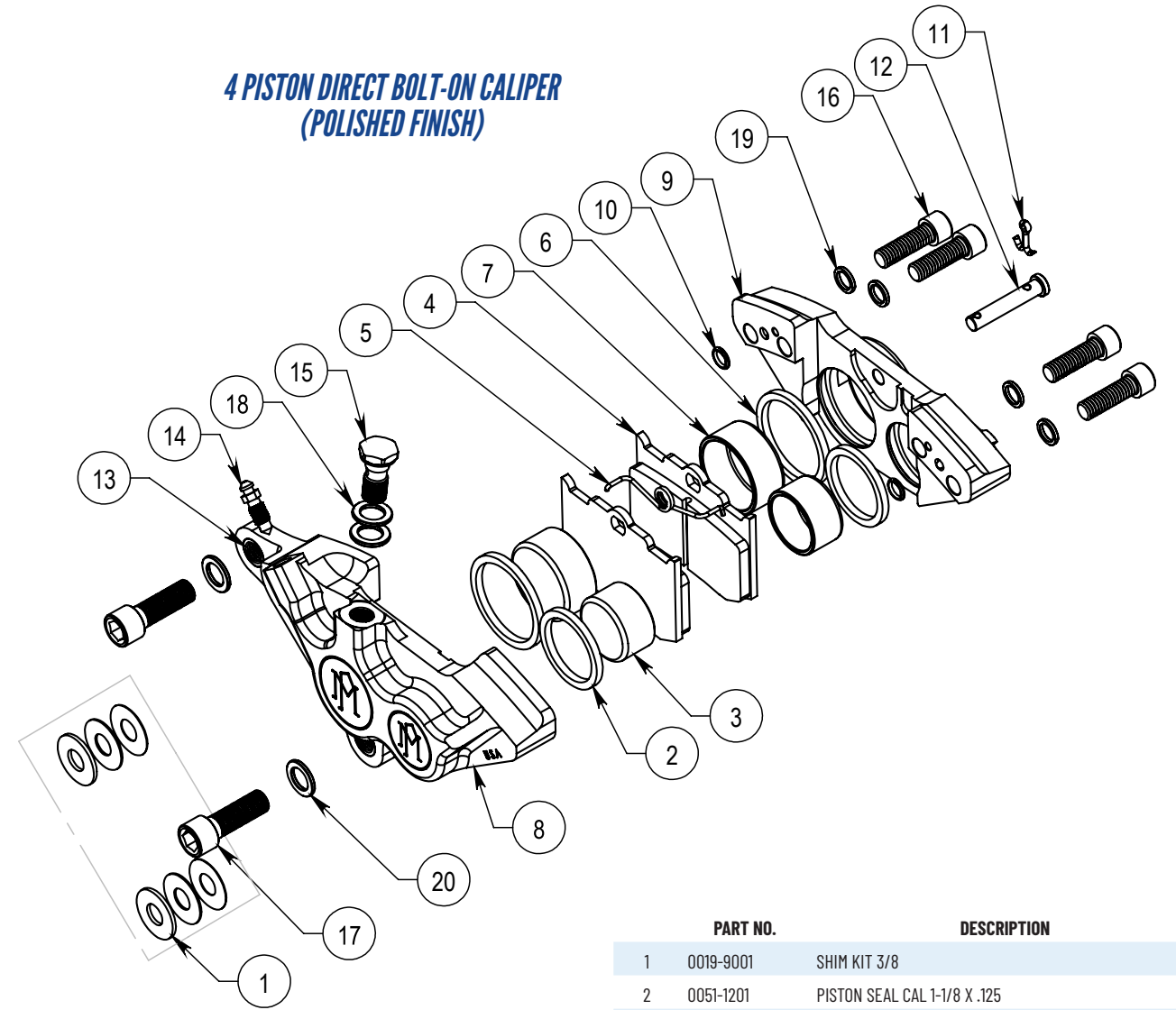
4 PISTON CALIPER
(POLISHED FINISH)



PART NO.	DESCRIPTION	QTY
1	0052-1106 CALIPER HOUSING 125X4R INSIDE	1
2	0052-1107 CALIPER HOUSING 125X4R OUTSIDE	1
3	0052-1200 PISTON SEAL CAL 1-1/4 X .125	4
4	0052-1400 PISTON 1.250 X .625 S/S REGULAR CALIPERS	4
5	0052-1602DR BRAKE PAD - 125X4R ORGANIC	2
6	0052-1801 ANTI RATTLE SPRING 125X4R CAL	1
7	0073-0005 O-RING .375 X 1/16 CAL	2
8	0075-0009 CLEVIS PIN 1/4"X1-1/2"X1-13/32"	1
9	0075-0012 COTTER PIN 3/32 X 1/2 STEEL ZINC PLATED	1
10	0083-1001 BLEEDER SCREW 3/8-24	1
11	0083-2001 BANJO BOLT 3/8-24	1
12	0101-2006-CH SHCS 5/16-18 X 1-1/4 CHROME	4
13	0106-2008 WASHER .316 X .440 X .060, STAINLESS	4
14	0106-9014 WASHER .365 X .665 X .050, O-RING STAT-O-SEAL	2



4 PISTON DIRECT BOLT-ON CALIPER
(POLISHED FINISH)



PART NO.	DESCRIPTION	QTY
1	0019-9001 SHIM KIT 3/8	1
2	0051-1201 PISTON SEAL CAL 1-1/8 X .125	2
3	0051-1400 PISTON 1.125 X .625 S/S REGULAR CALIPERS	2
4	0052-1602DS BRAKE PADS 125X4R DP SPORT HH+ COMPOUND SDP 911 HH+	2
5	0052-1801 ANTI RATTLE SPRING 125X4R CAL	1
6	0053-1201 PISTON SEAL CAL 1-3/8 X .125	2
7	0053-1400 PISTON 1.375 X .625 S/S REGULAR CALIPERS	2
8	0053-1921 CAL HSG 137X4B OUTER LEFT	1
9	0053-1927 CAL HSG 137X4B INNER LEFT	1
10	0073-0005 O-RING .375 X 1/16 CAL	2
11	0075-0012 O-RING .375 X 1/16 CAL	1
12	0075-0040 CLEVIS PIN 1/4 X 1-3/8 X .222 CHROME	1
13	0078-0016 THDD INSERT 3/8-24 CAL BKT, 303 S/S	2
14	0083-1000-CH BLEEDER SCREW 1/4-28, 12L14 CHROME PLATED	1
15	0083-2001 BANJO BOLT 3/8-24	1
16	0101-2004 SHCS 5/16-18 X 1 BLACK FINISH	4
17	0101-3010-CH SHCS 3/8-24 X 1-1/8 CHROME	2
18	0106-9001 WASHER .390 X .630 X .064 AN	2
19	0106-2008 WASHER .316 X .440 X .060, STAINLESS	4
20	0106-3003 WASHER .391 X .625 X .062 AL	2

